
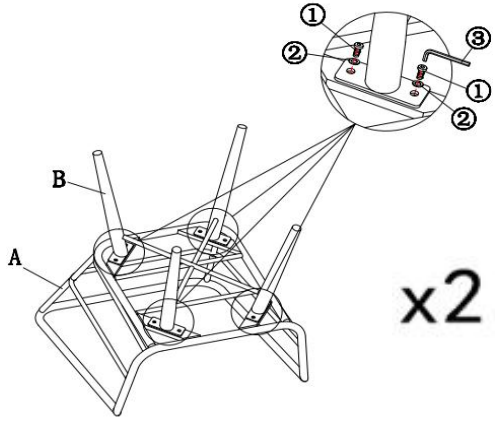
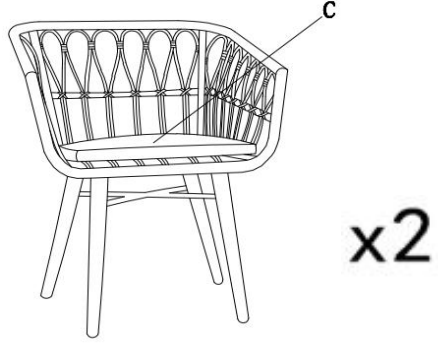




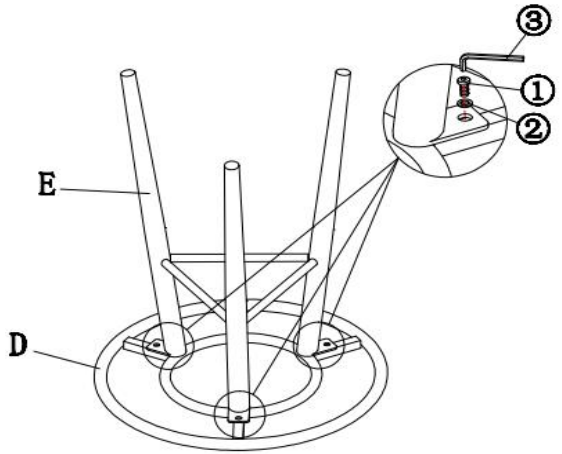







ASSEMBLY INSTRUCTION

ITEM: FAUX RATTAN BROWN/WHITE 3PC SET

NO	PART LIST	QTY	STEP 1	STEP 2
①	 FLAT HEAD SCREW 6x15 mm	19PCS	Attach seat base (B) to the seat (A) using flat head screw and washers with allen key. 	Put the cushion (C) on the seat. 
②	 WASHER	19PCS		
③	 ALLEN KEY 4x60 mm	1PC		
A	 SEAT	2PCS		
B	 SEAT BASE	2PCS	STEP 3 Attach table leg (E) to the table top (D) using flat head screw and washers with allen key. 	STEP 4 Put glass (F) on table top (D). 
C	 CUSHION	2PCS		
D	 TABLE TOP	1PC		
E	 TABLE LEG	1PC		
F	 GLASS	1PC		