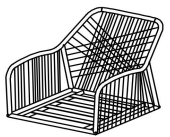
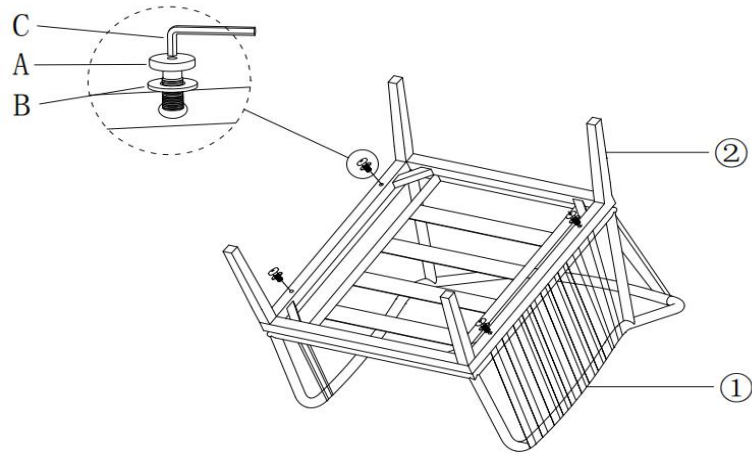
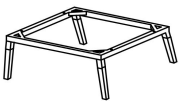
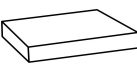
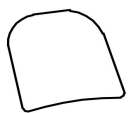
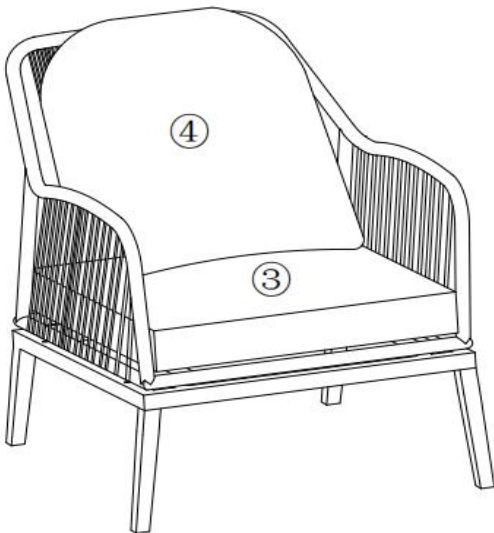





ASSEMBLY INSTRUCTION

ITEM: FAUX RATTAN TAN-CHAIR

NO	PART LIST	QTY	STEP 1
1	 SEAT	PC	<p>Attach seat base to the seat using flat head screw(A) and washers(B) with allen key(C).</p> 
2	 SEAT BASE	1PC	
3	 SEAT CUSHION	1PC	
4	 BACK CUSHION	1PC	<p>STEP 2</p> <p>Put the seat cushion and back cushion on the seat.</p> 
NO	HARDWARE LIST	QTY	
A	 FLAT HEAD SCREW 6 x50 mm	4PCS	
B	 Flat Washer 13x1 mm	4PCS	
C	 ALLEN KEY 4 x60 mm	1PC	