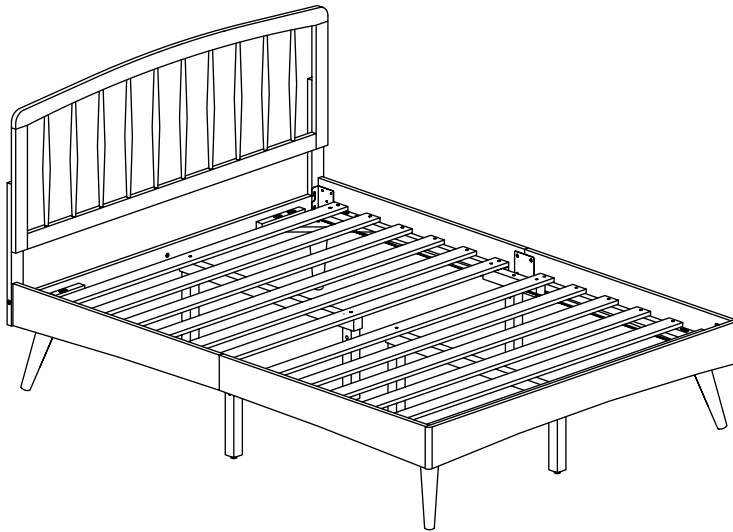


# 0020-5S Full Bed

## Assembly Instructions

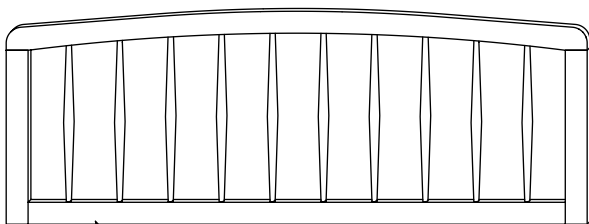
WI-0221

### 1 Assembled View

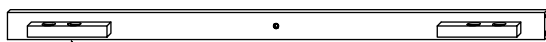


**Note:** Do not assemble using power tools. This can cause the bolts to be overtightened

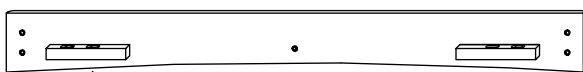
### 2 Parts List



**A** Headboard Panel x 1



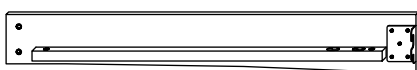
**B** Headboard Support x 1



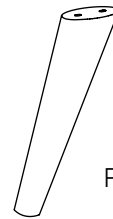
**C** Footboard Panel x 1



**D** Side Rail (Left Hand) x 2



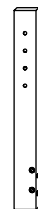
**E** Side Rail (Right Hand) x 2



**F** Post x 4



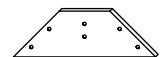
**G** Support Leg x 6



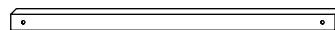
**H** Headboard Support Bar (Left Hand) x 1



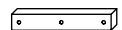
**J** Headboard Support Bar (Right Hand) x 1



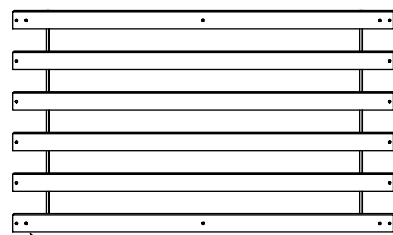
**K** Support Panel x 4



**L** Long Support x 2



**M** Support Bar x 2



**N** Set of Bed Slats x 2

# 0020-5S Full Bed

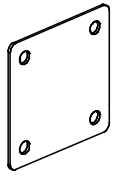
## Assembly Instructions

WI-0221

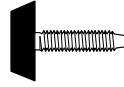
### 3 Hardware List



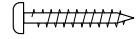
1 M4 Allen Key  
x 1



2 Metal Plate  
x 2



3 Adjustable  
Foot x 6



4 Wood Screw  
(M4 x 32mm) x 16



5 Wood Dowel  
(M10 x 40mm)  
x 2



6 Barrel  
Nut x 8



7 Spring  
Washer  
x 28



8 M6 Flat  
Washer  
x 38



9 M6  
JCN Nut  
x 4



10 M8 Flat  
Washer  
x 4



11 M8 x  
50mm JCB  
x 8



12 M6 x  
15mm JCB  
x 8



13 M6 x  
20mm JCB  
x 8



14 M6 x  
35mm JCB  
x 4



15 M6 x  
40mm JCB  
x 8



16 M6 x 50mm JCB  
x 20



17 M6 x 90mm JCB  
x 2

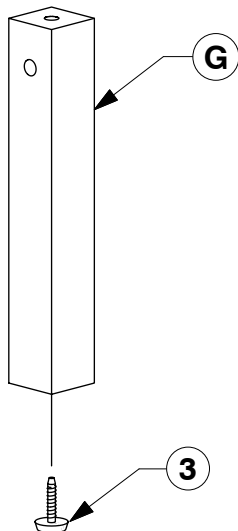


18 M6 x 100mm JCB  
x 6

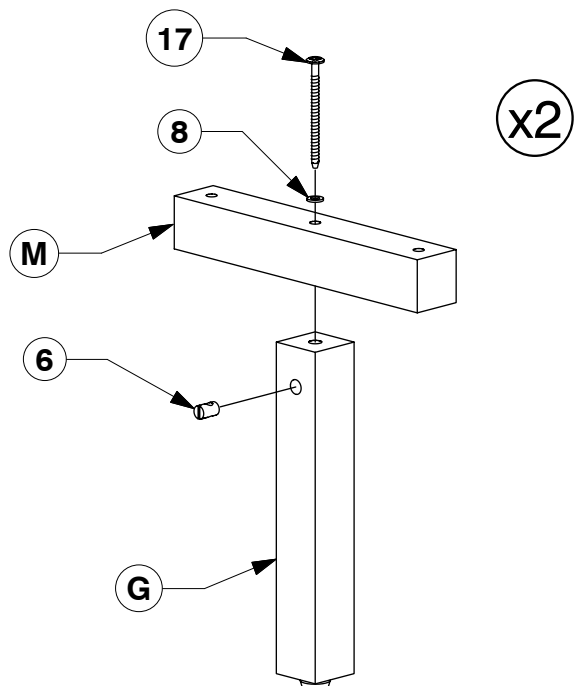


19 M5 Allen Key  
x 1

### 4 Fit the Adjustable foot to the bottom of the Support Leg (G).



### 5 Fit the Support Bar (M) to the Support Leg (G).

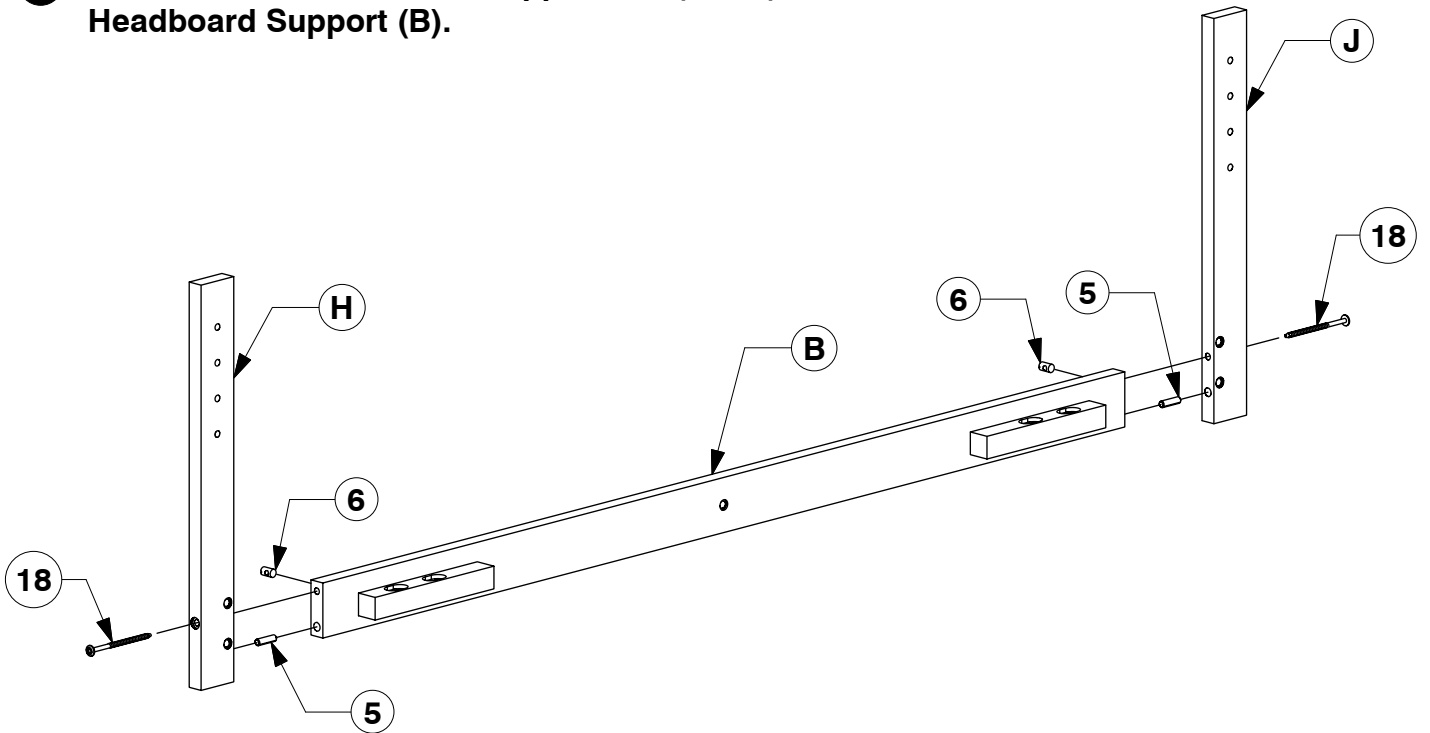


# 0020-5S Full Bed

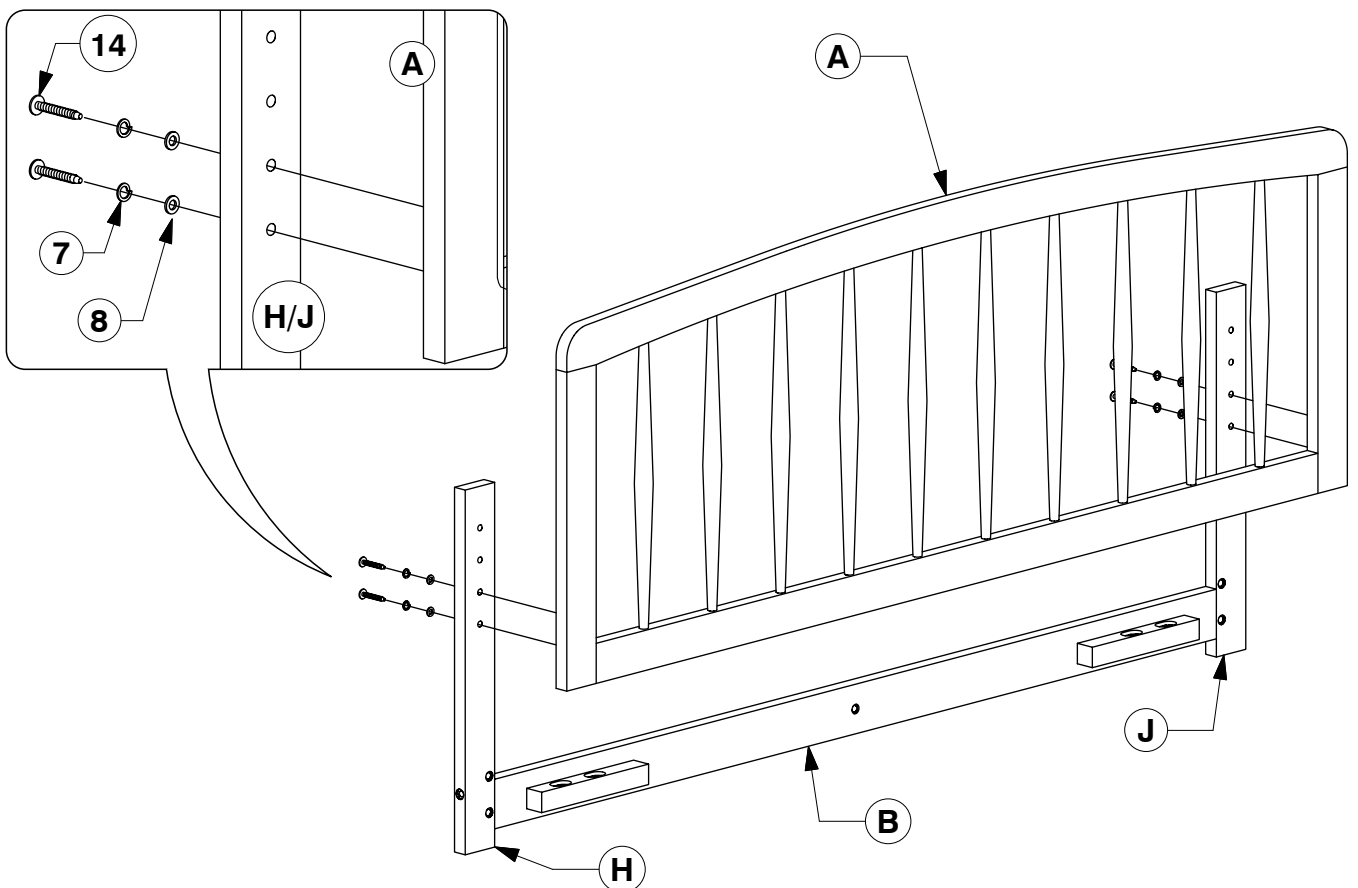
## Assembly Instructions

WI-0221

- 6** Assemble the Headboard Support Bar (H & J) to the Headboard Support (B).



- 7** Fit the Headboard Support Bar (H & J) to the Headboard Panel (A).



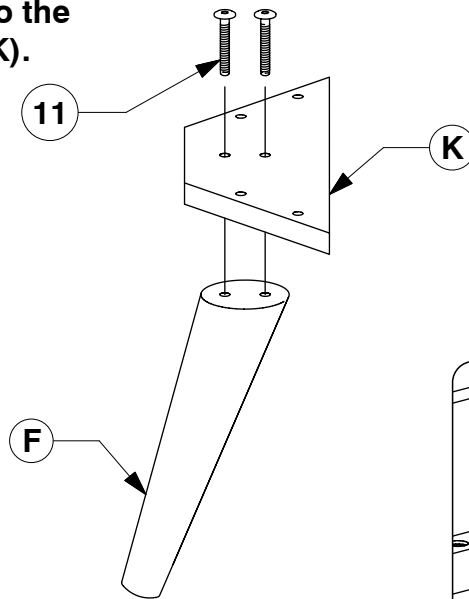
# 0020-5S Full Bed

## Assembly Instructions

WI-0221

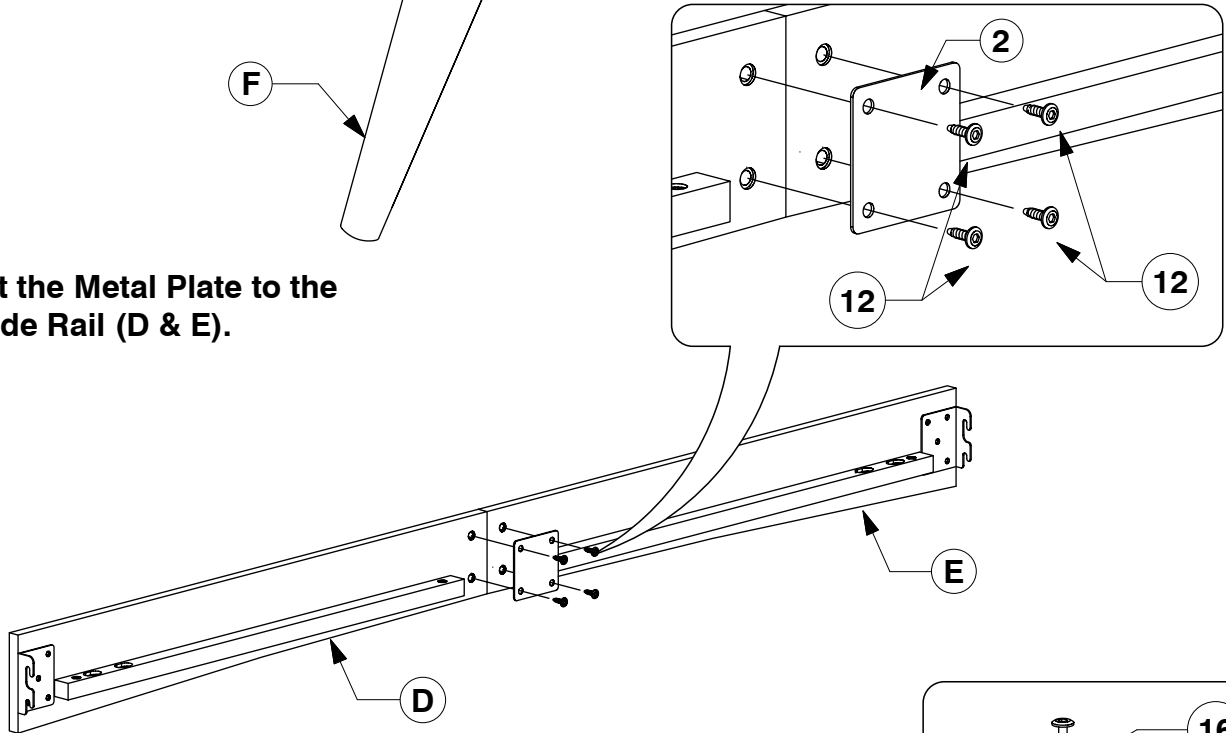
- 8** Fit the Post (F) to the Support Panel (K).

x4



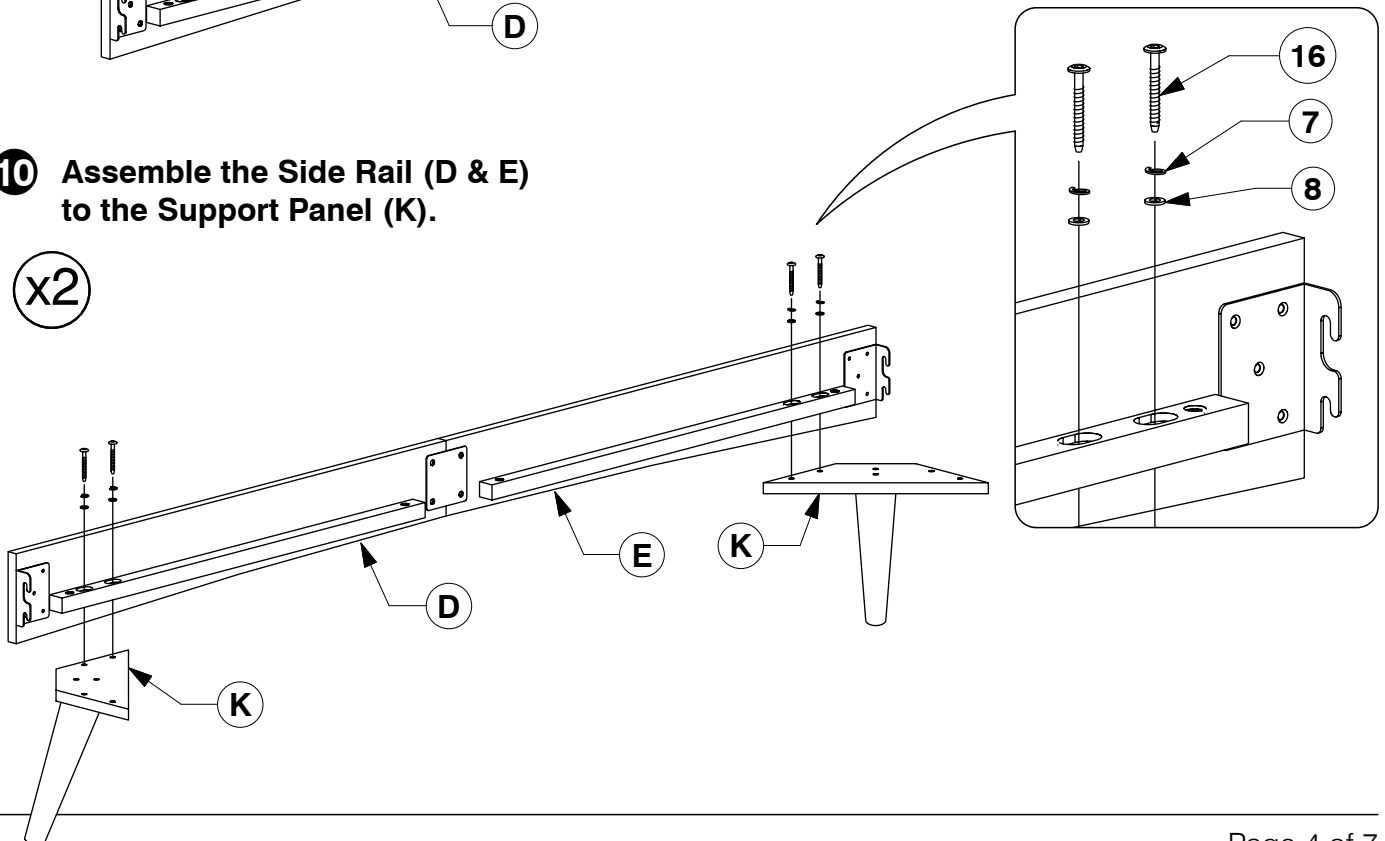
- 9** Fit the Metal Plate to the Side Rail (D & E).

x2



- 10** Assemble the Side Rail (D & E) to the Support Panel (K).

x2

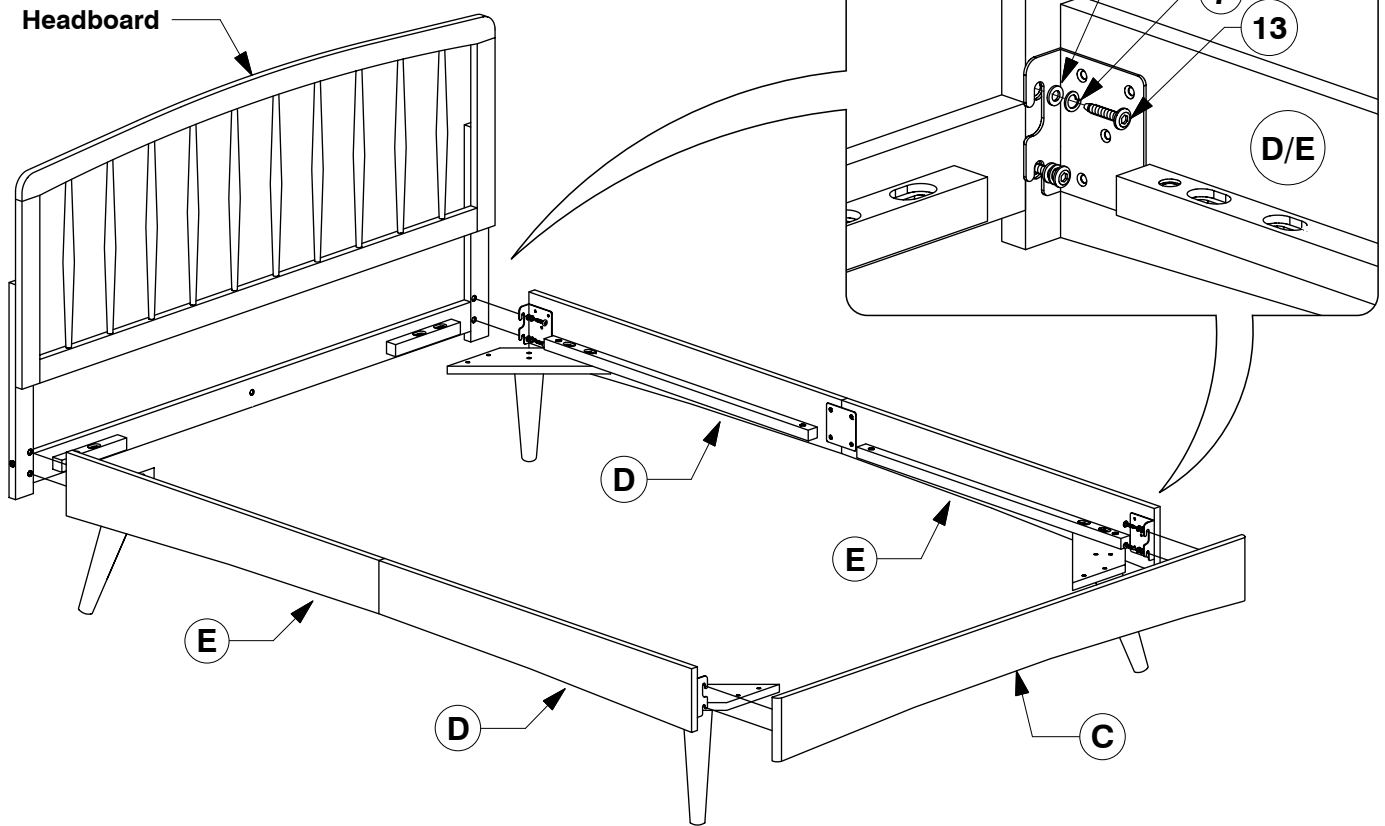


# 0020-5S Full Bed

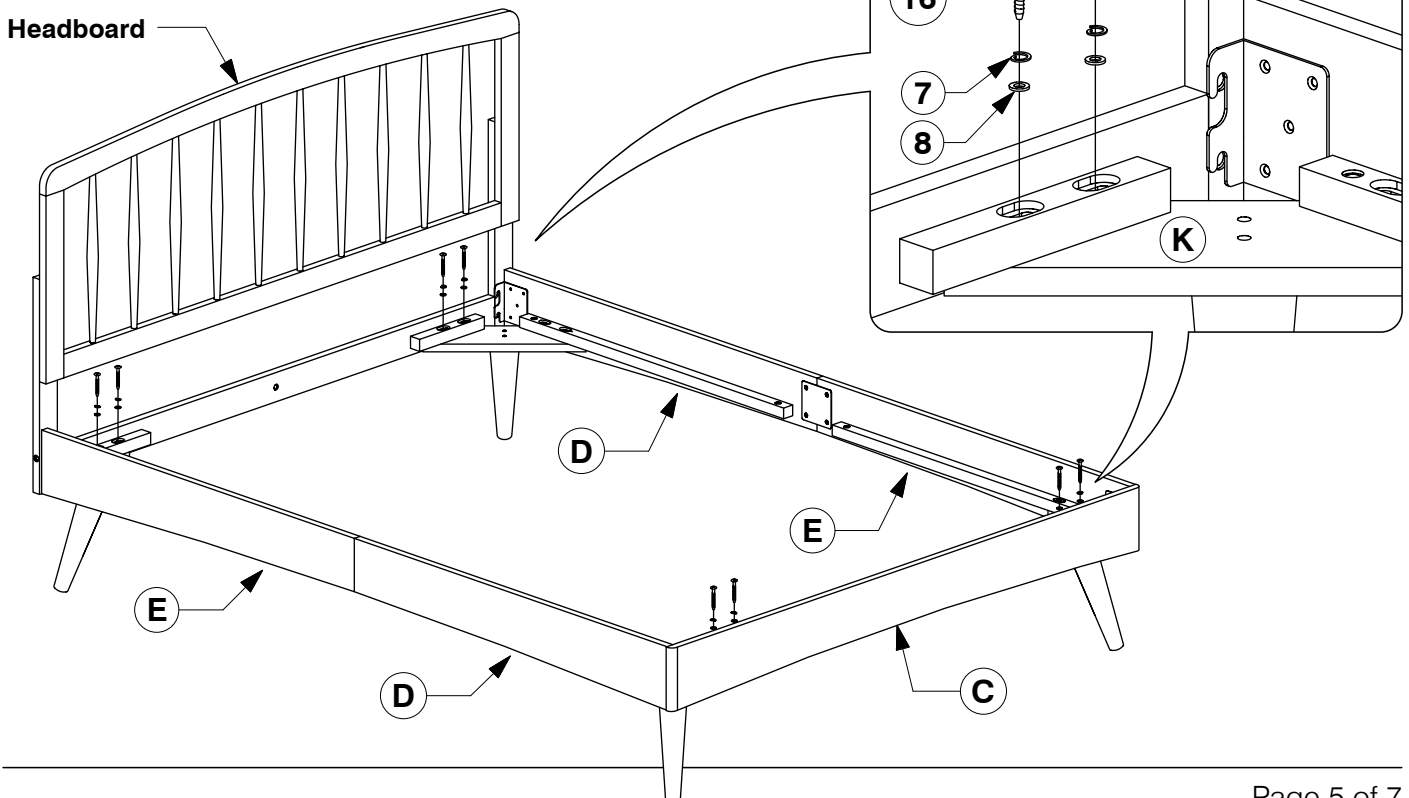
## Assembly Instructions

WI-0221

### 11 Assemble the Side Rail (D & E) to the Headboard & Footboard Panel (C).



### 12 Bolt the Support Panel (K) to the Headboard & Footboard Panel (C).



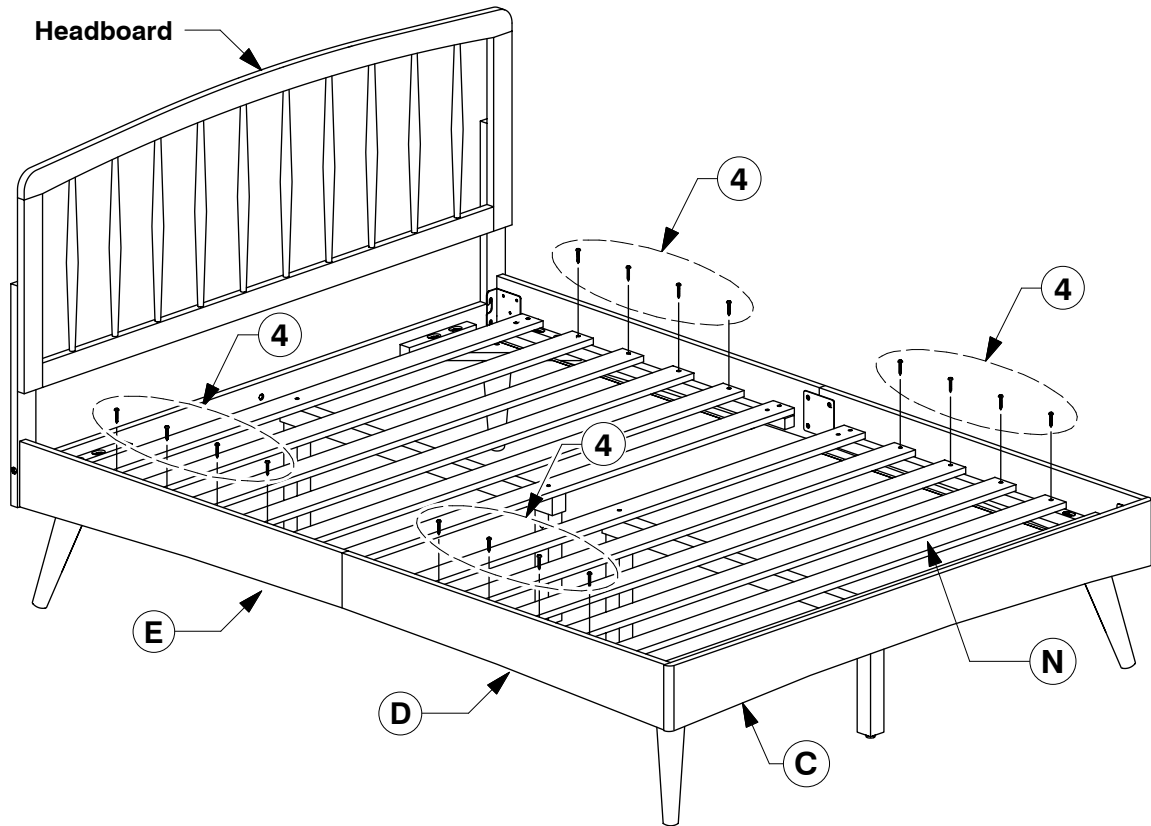


# 0020-5S Full Bed

## Assembly Instructions

WI-0221

- 15** Screw the Bed Slats (N) to the Side Rail (D & E).



- 16** Lastly, fit the Support Bar (M) in place.

