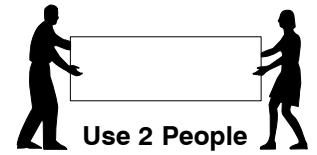
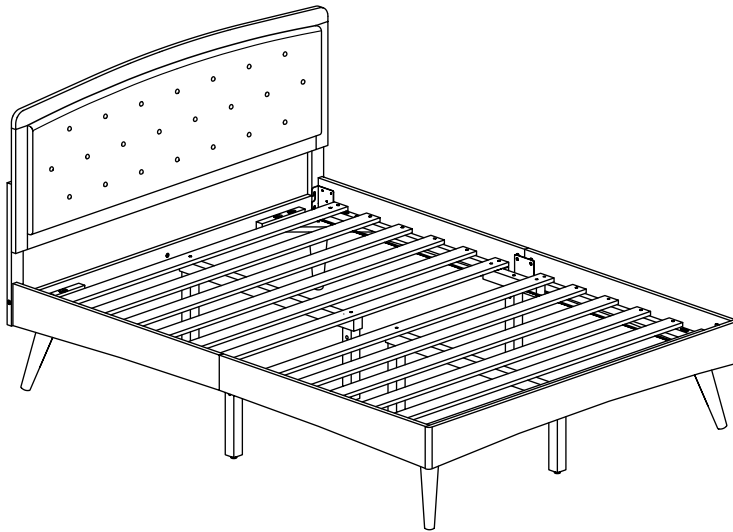


0020-4S Full Bed

Assembly Instructions

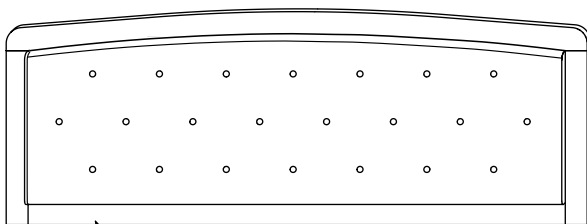
WI-0221

1 Assembled View

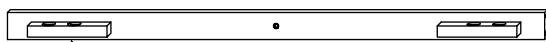


Note: Do not assemble using power tools. This can cause the bolts to be overtightened

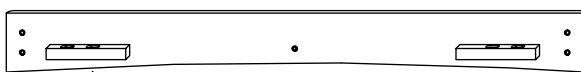
2 Parts List



A Headboard Panel x 1



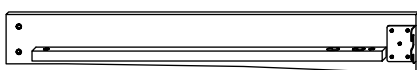
B Headboard Support x 1



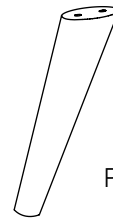
C Footboard Panel x 1



D Side Rail (Left Hand) x 2



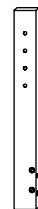
E Side Rail (Right Hand) x 2



F Post x 4



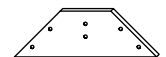
G Support Leg x 6



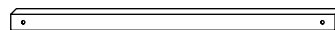
H Headboard Support Bar (Left Hand) x 1



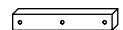
J Headboard Support Bar (Right Hand) x 1



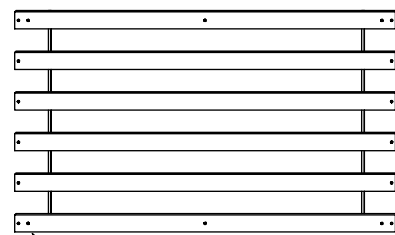
K Support Panel x 4



L Long Support x 2



M Support Bar x 2



N Set of Bed Slats x 2

0020-4S Full Bed

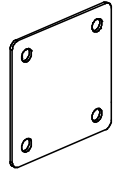
Assembly Instructions

WI-0221

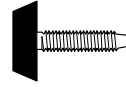
3 Hardware List



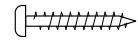
1 M4 Allen Key
x 1



2 Metal Plate
x 2



3 Adjustable Foot
x 6



4 Wood Screw
(M4 x 32mm) x 16



5 Wood Dowel
(M10 x 40mm)
x 2



6 Barrel Nut
x 8



7 Spring Washer
x 28



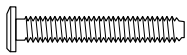
8 M6 Flat Washer
x 38



9 M6 JCN Nut
x 4



10 M8 Flat Washer
x 4



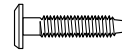
11 M8 x 50mm JCB
x 8



12 M6 x 15mm JCB
x 8



13 M6 x 20mm JCB
x 8



14 M6 x 35mm JCB
x 4



15 M6 x 40mm JCB
x 8



16 M6 x 50mm JCB
x 20



17 M6 x 90mm JCB
x 2

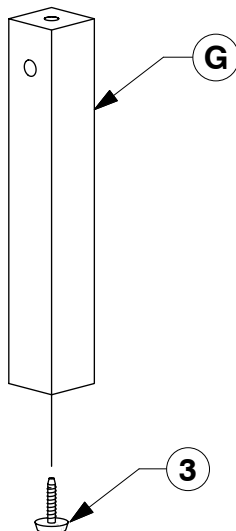


18 M6 x 100mm JCB
x 6



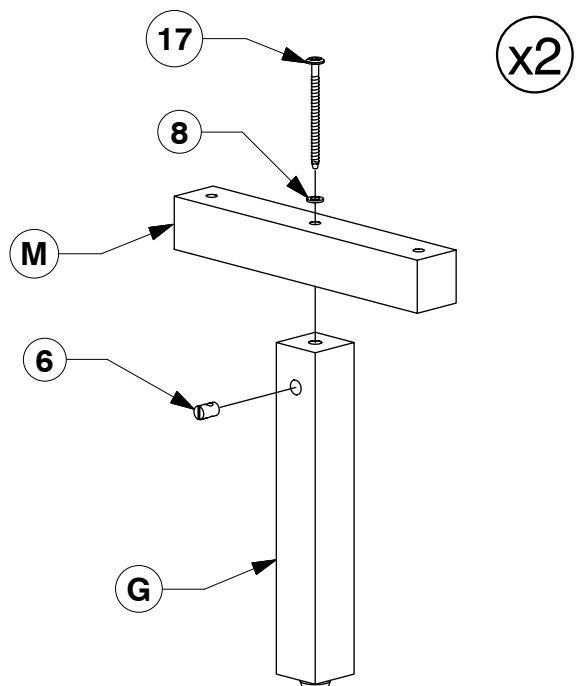
19 M5 Allen Key
x 1

4 Fit the Adjustable foot to the bottom of the Support Leg (G).



5 Fit the Support Bar (M) to the Support Leg (G).

x6



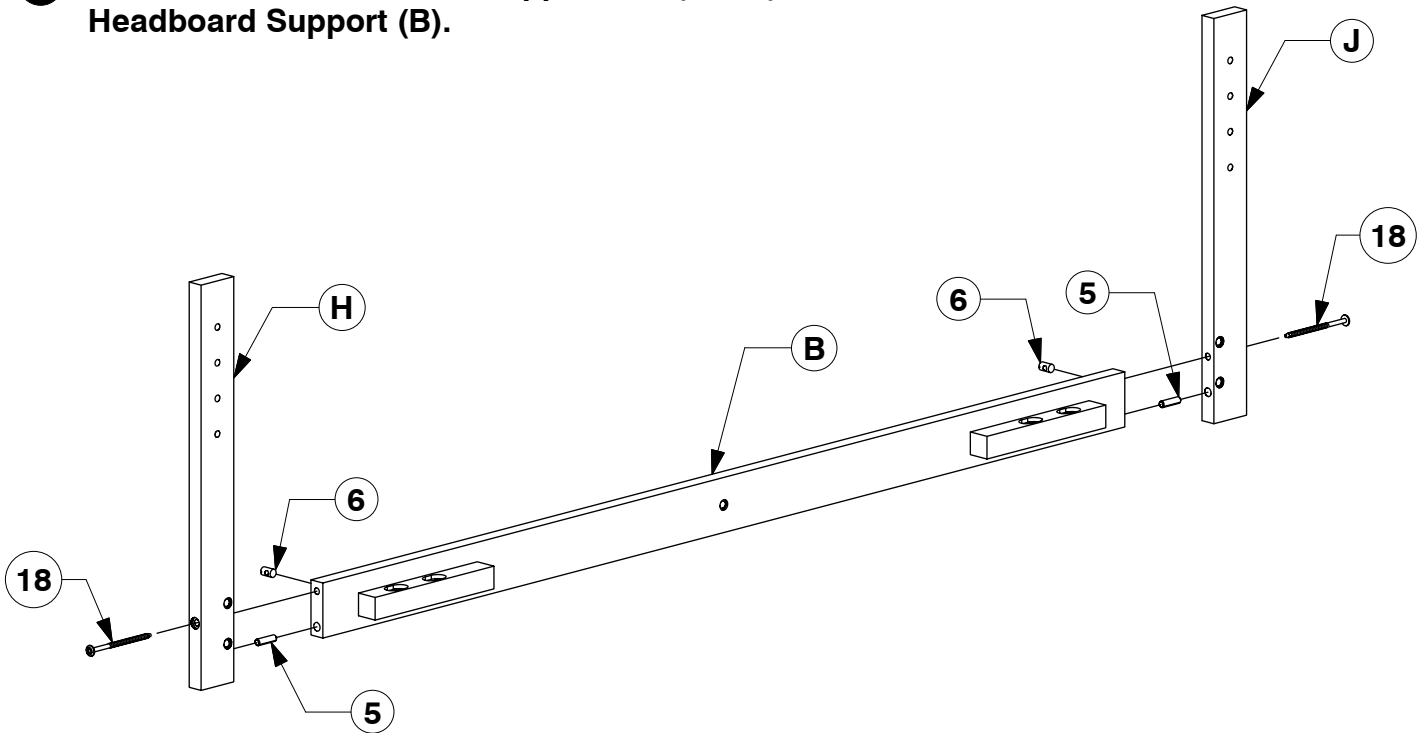
x2

0020-4S Full Bed

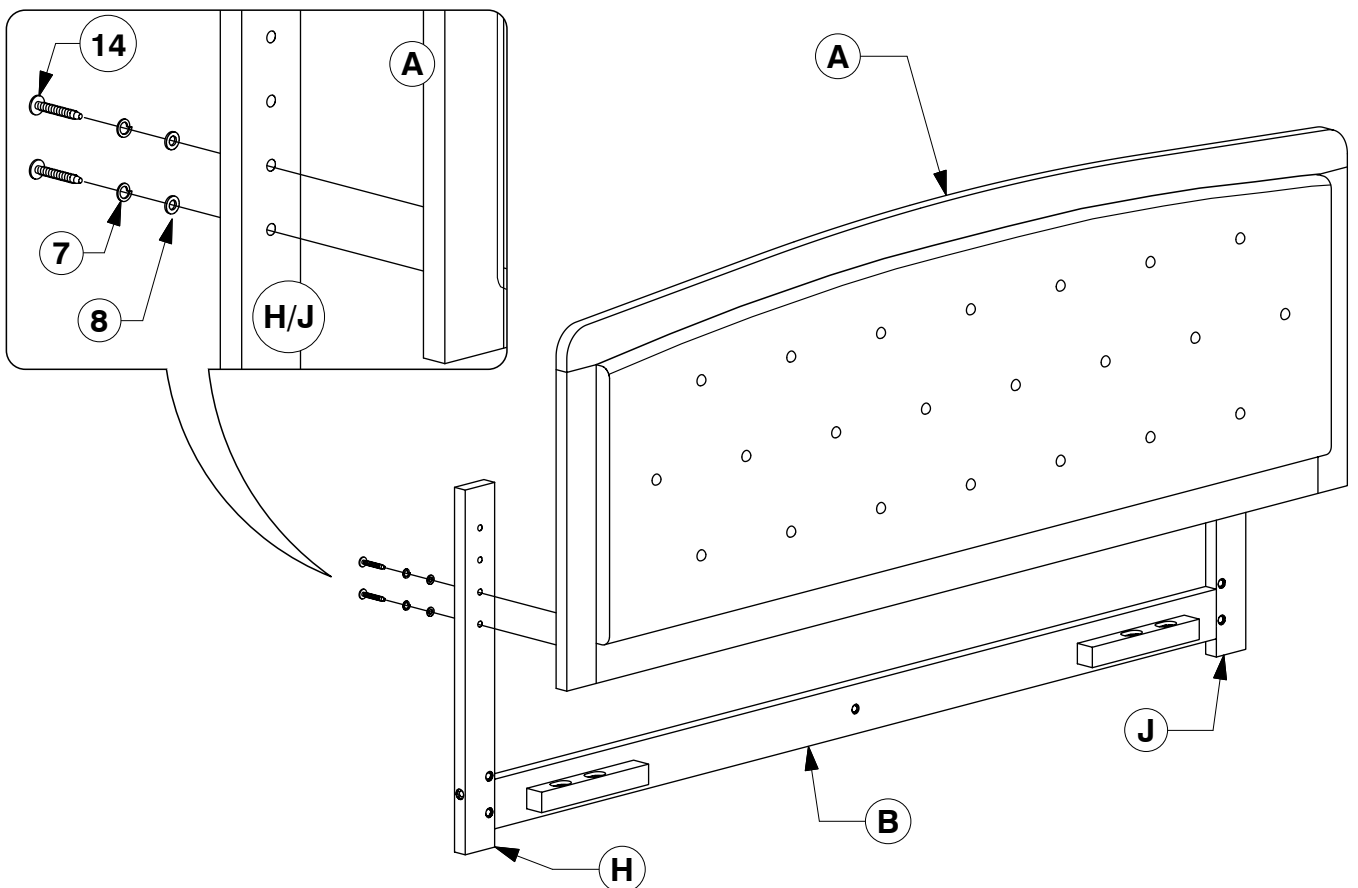
Assembly Instructions

WI-0221

- 6** Assemble the Headboard Support Bar (H & J) to the Headboard Support (B).



- 7** Fit the Headboard Support Bar (H & J) to the Headboard Panel (A).



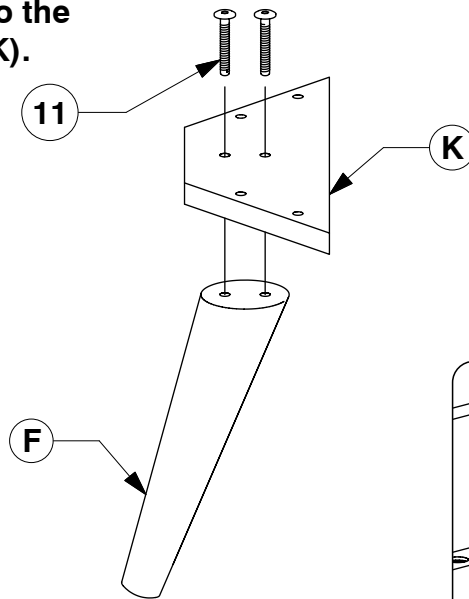
0020-4S Full Bed

Assembly Instructions

WI-0221

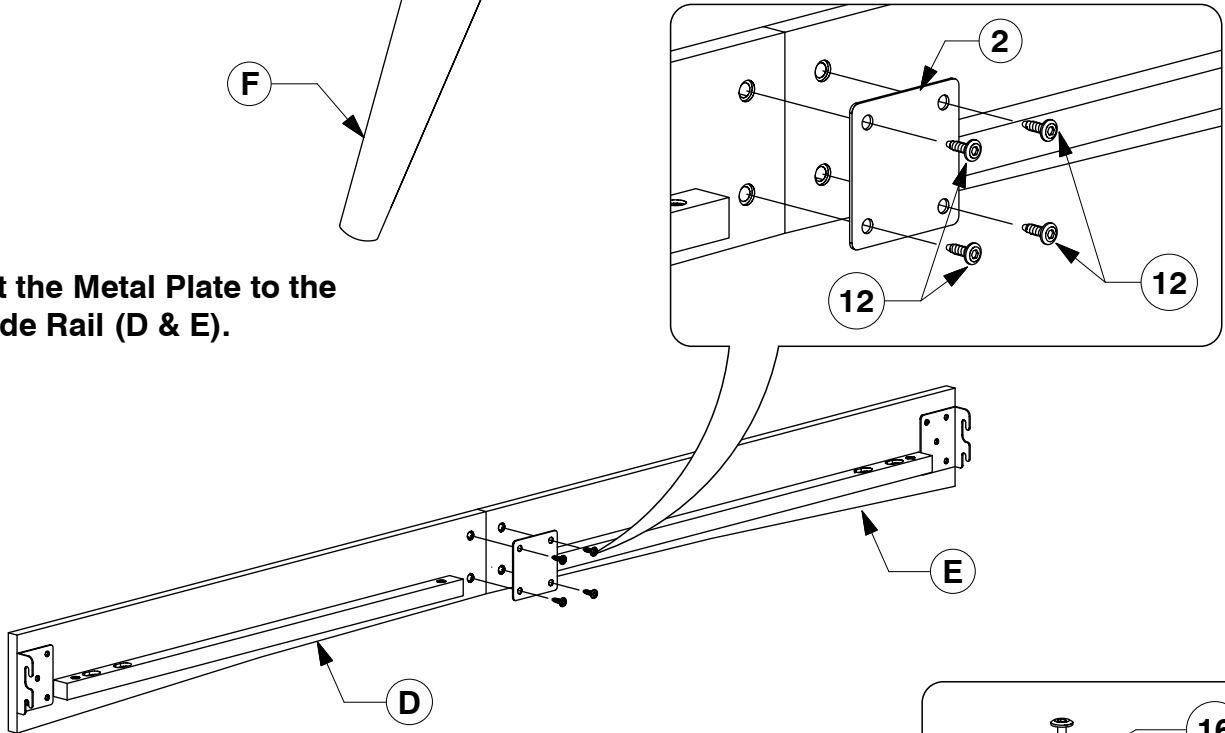
- 8** Fit the Post (F) to the Support Panel (K).

x4



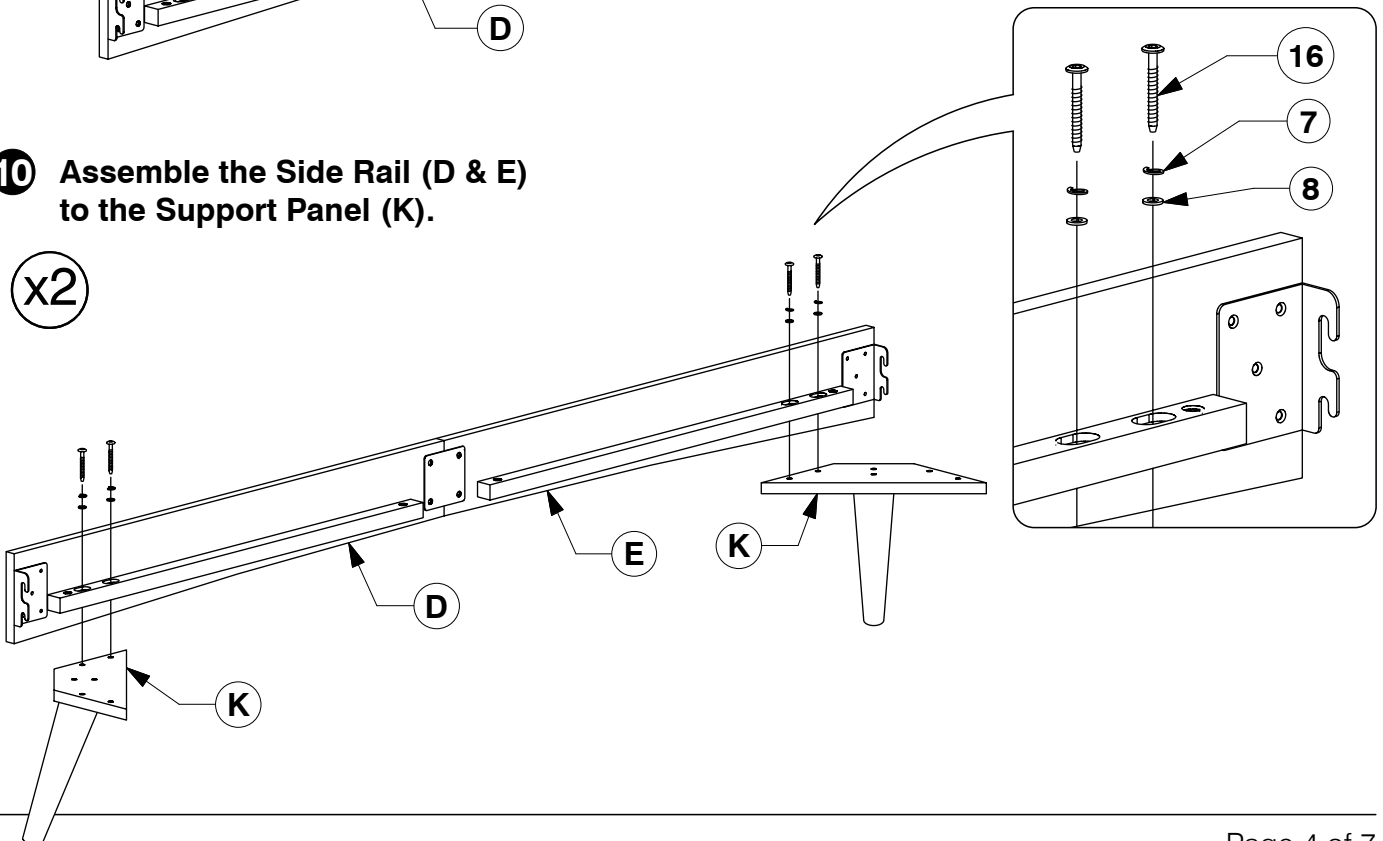
- 9** Fit the Metal Plate to the Side Rail (D & E).

x2



- 10** Assemble the Side Rail (D & E) to the Support Panel (K).

x2

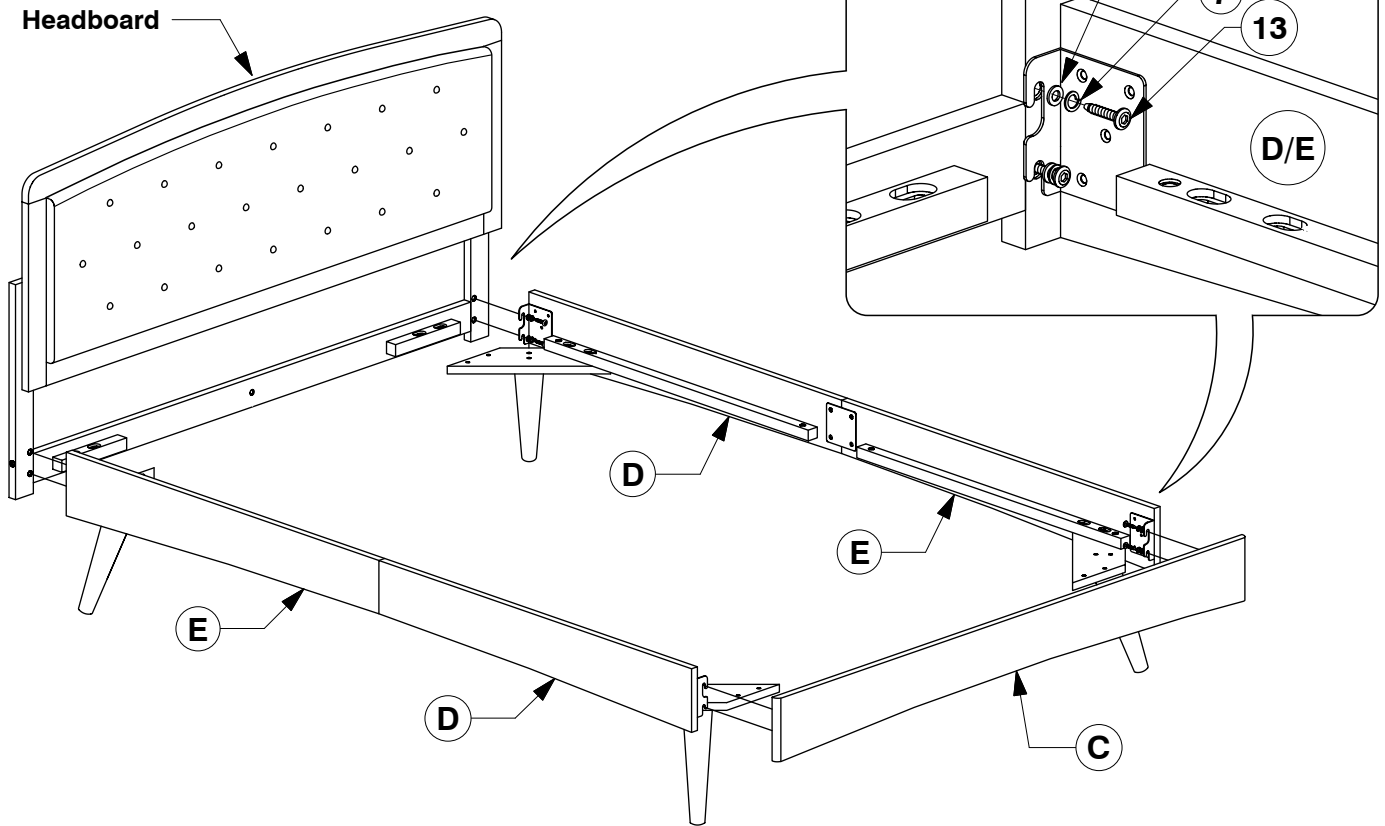


0020-4S Full Bed

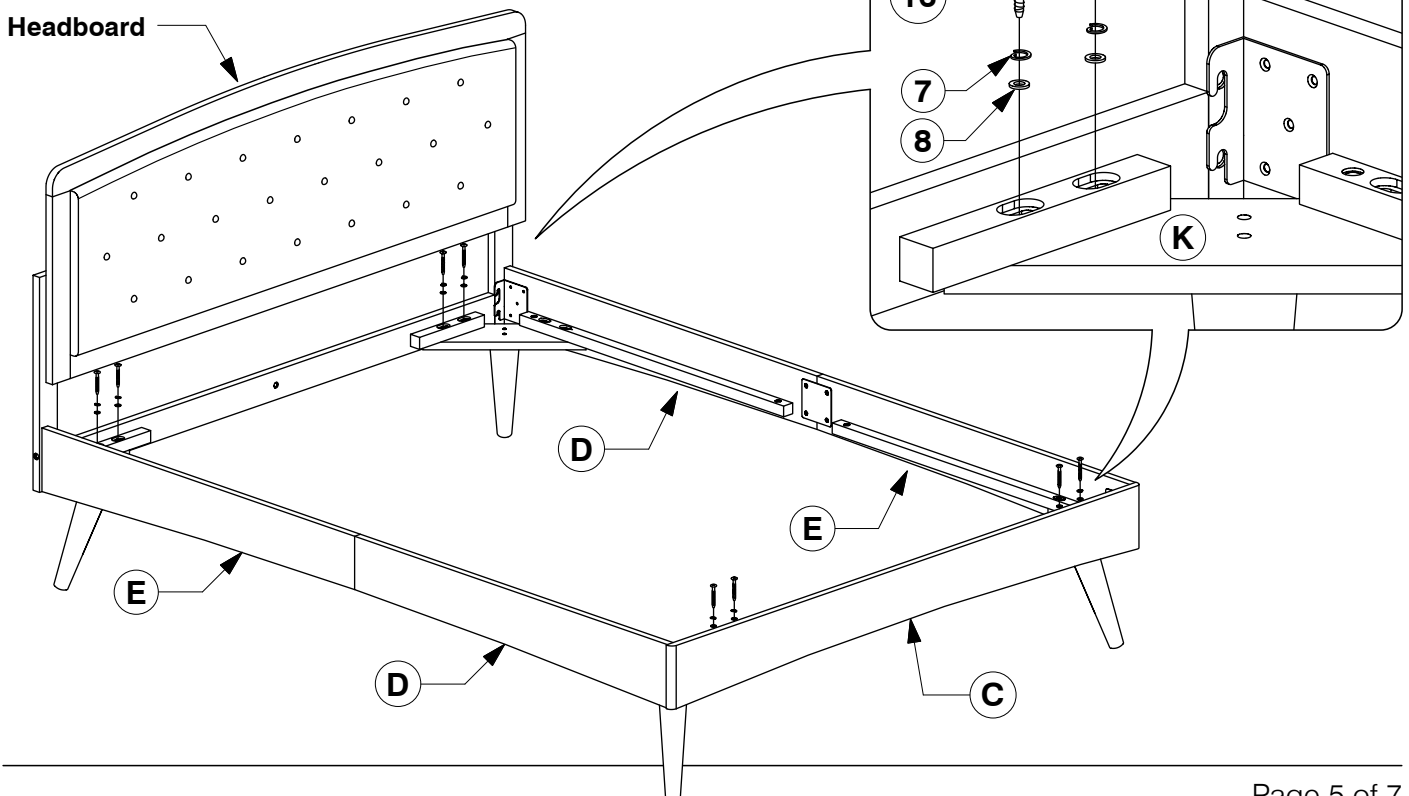
Assembly Instructions

WI-0221

- 11** Assemble the Side Rail (D & E) to the Headboard & Footboard Panel (C).



- 12** Bolt the Support Panel (K) to the Headboard & Footboard Panel (C).

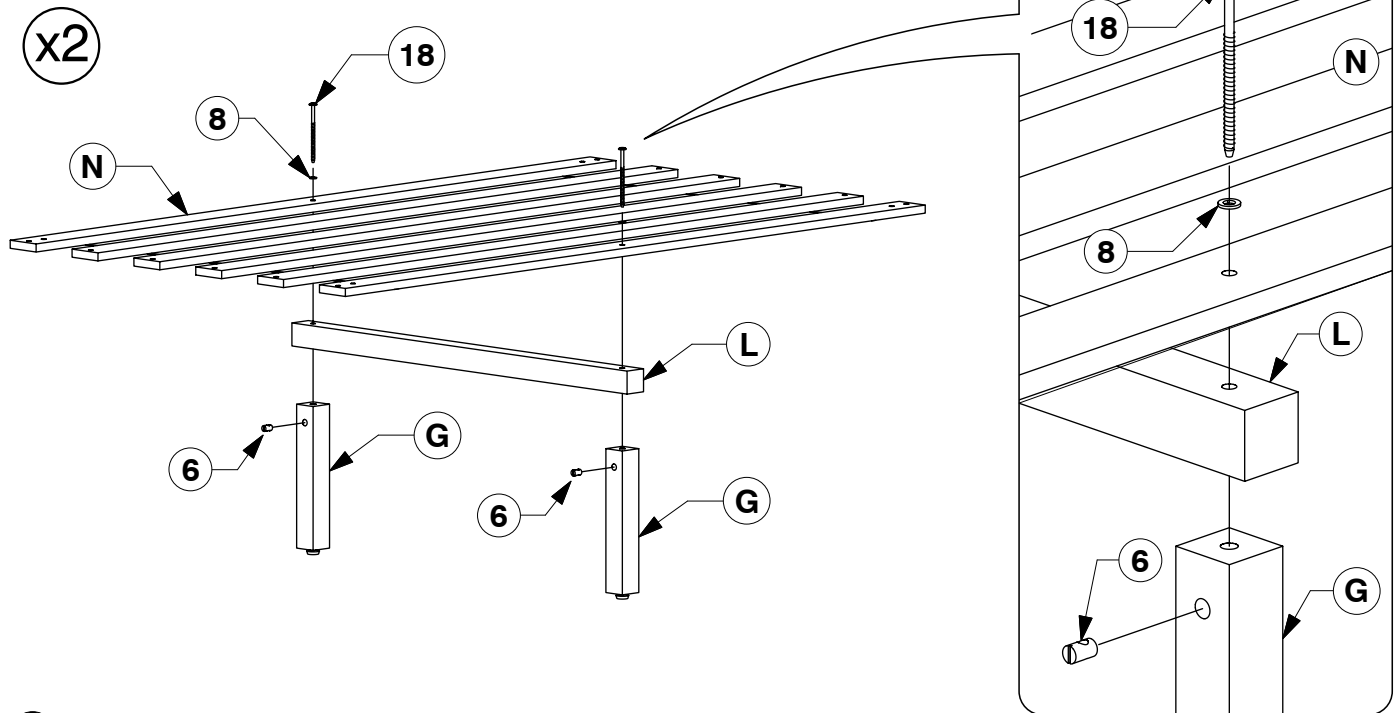


0020-4S Full Bed

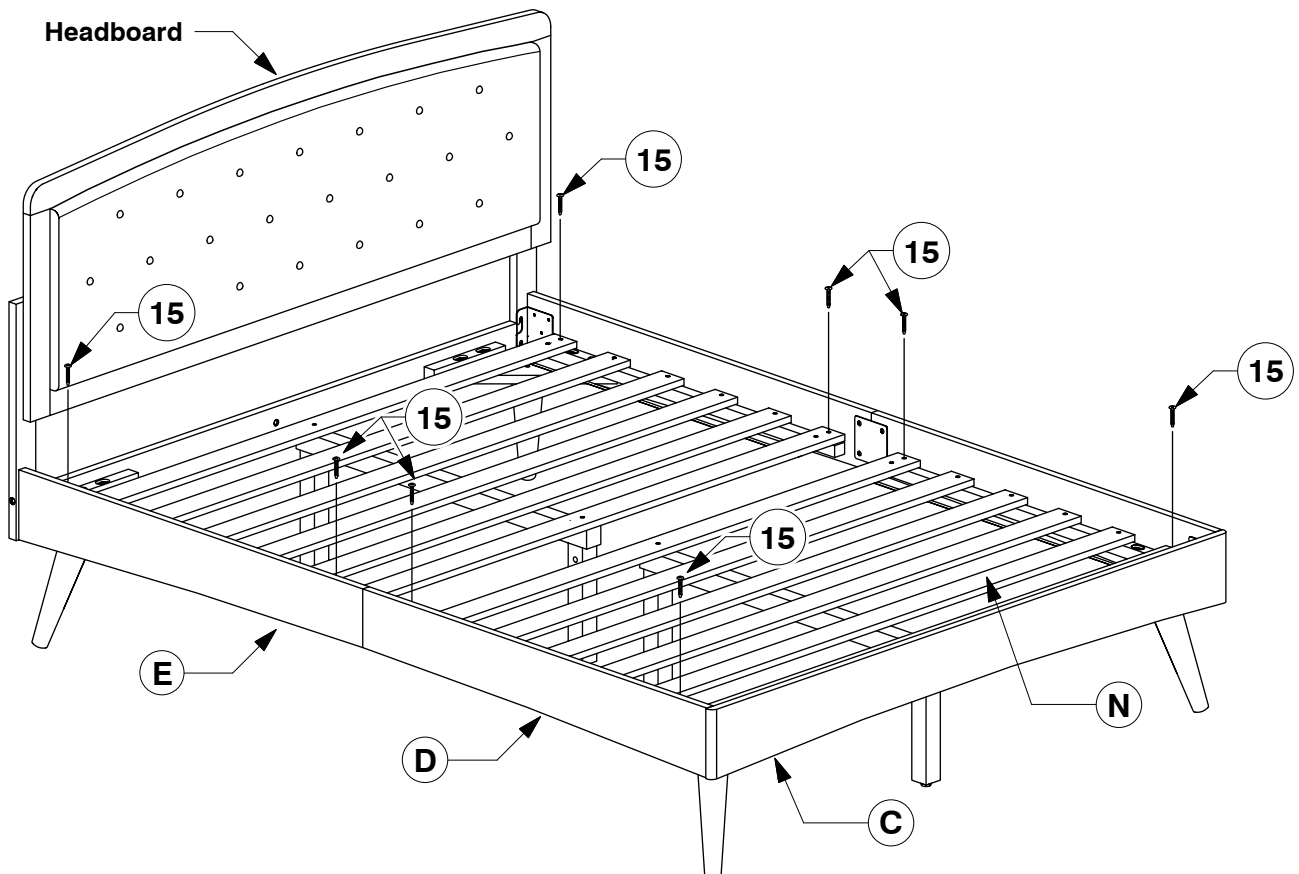
Assembly Instructions

WI-0221

- 13** Fit the Slats (N) to the Long Support (L) & Support Leg (G).



- 14** Bolt the Bed Slats (N) to the Side Rail (D & E).

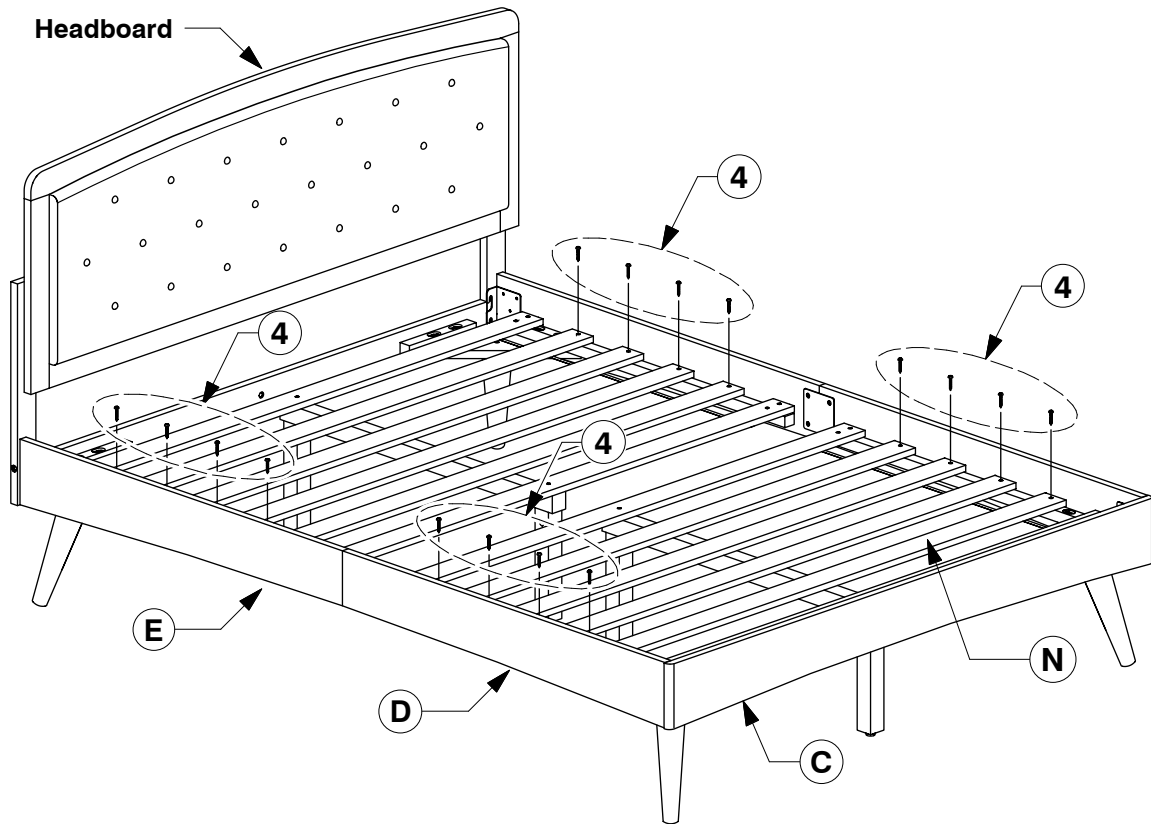


0020-4S Full Bed

Assembly Instructions

WI-0221

- 15** Screw the Bed Slats (N) to the Side Rail (D & E).



- 16** Lastly, fit the Support Bar (M) in place.

