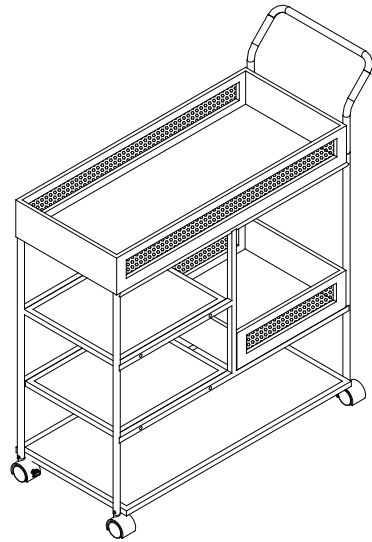


ASSEMBLY INSTRUCTION



A x 14



B x 10



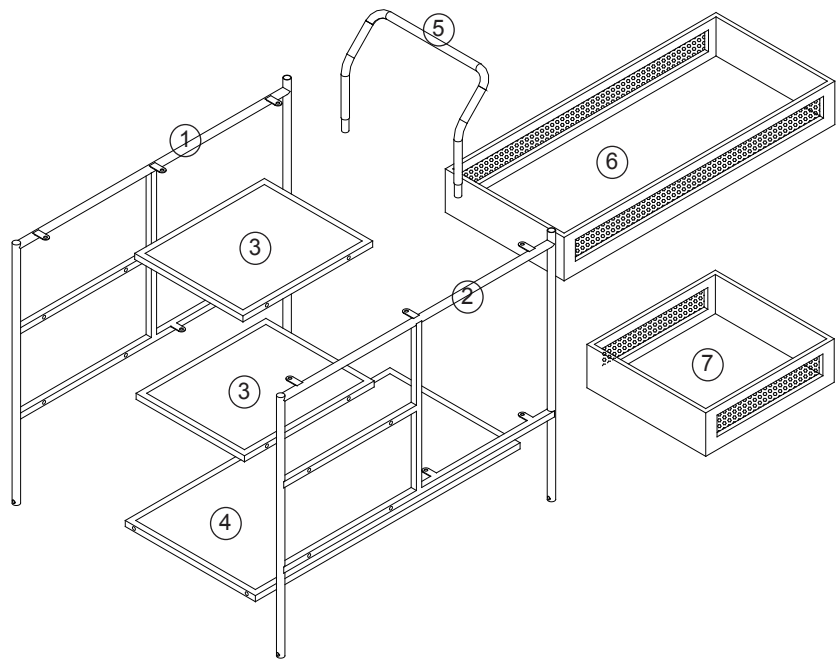
C x 2



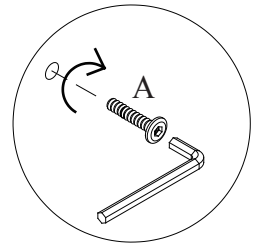
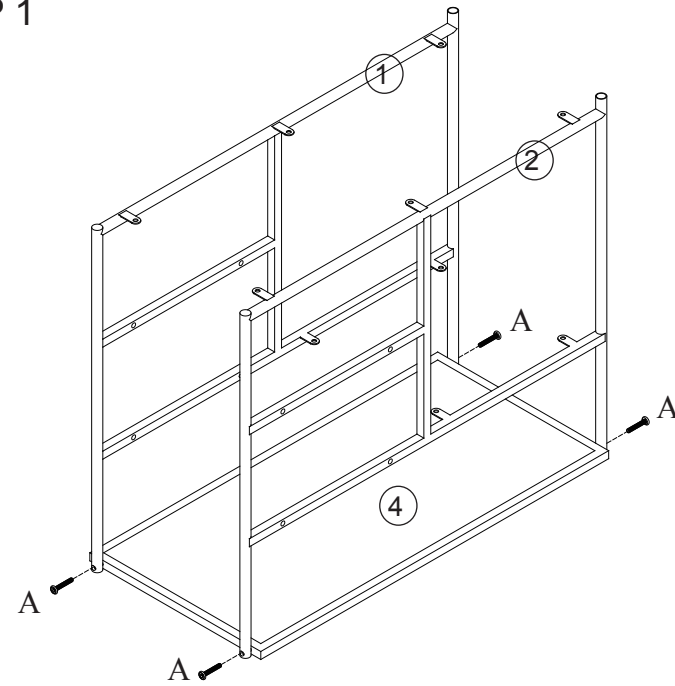
D x 2



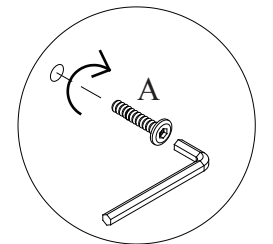
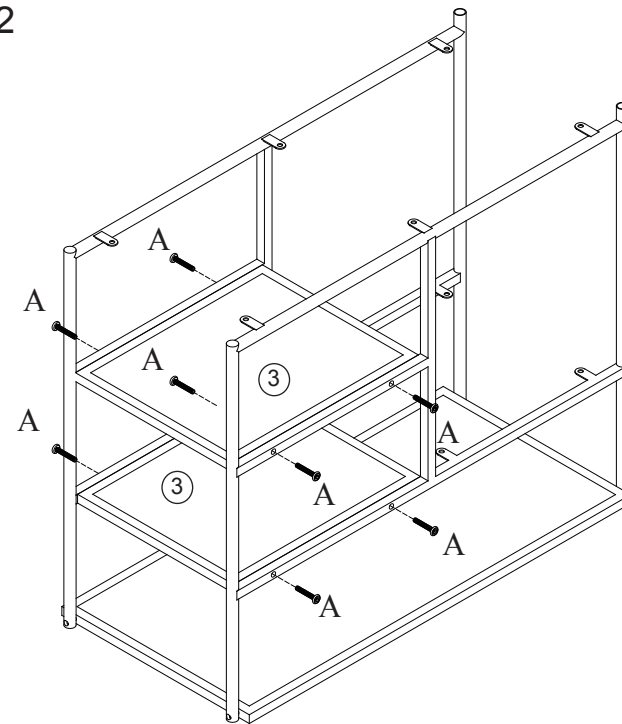
E x 1



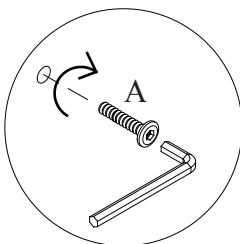
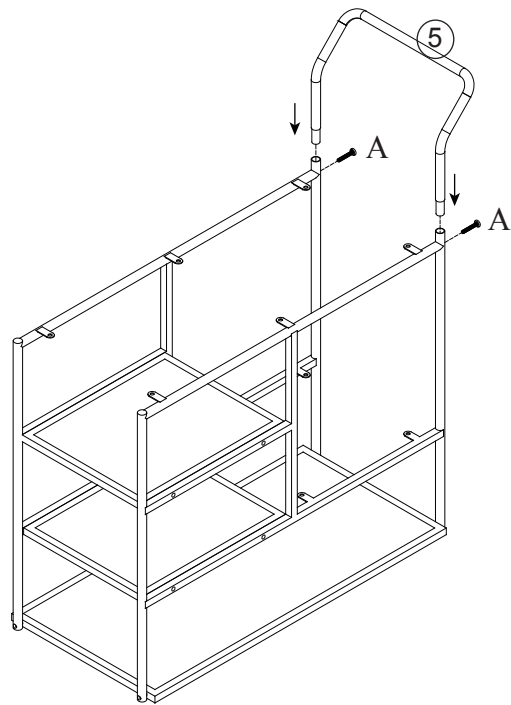
STEP 1



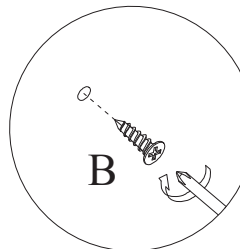
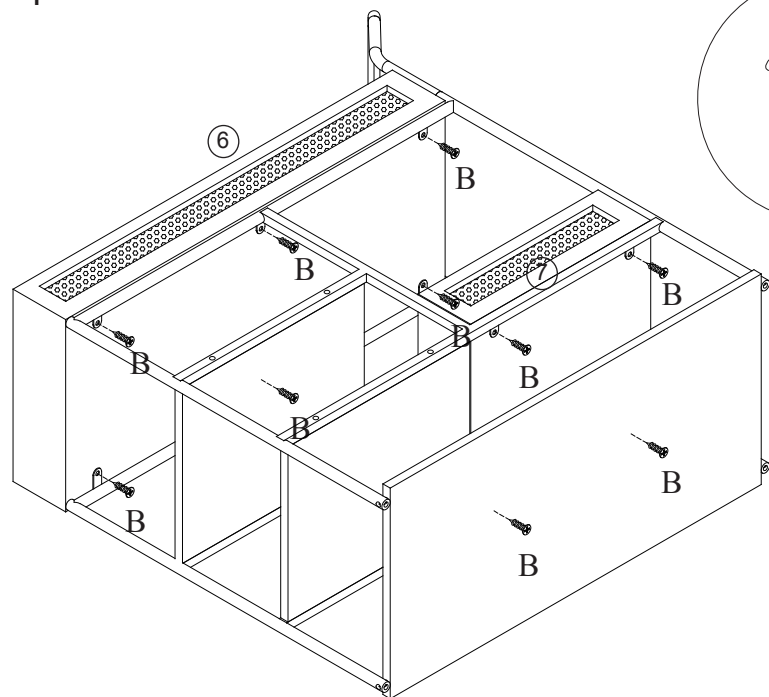
STEP 2



STEP 3



STEP 4



STEP 5

