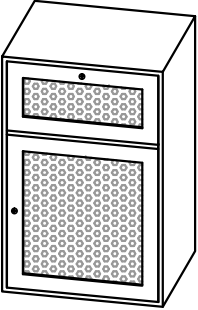
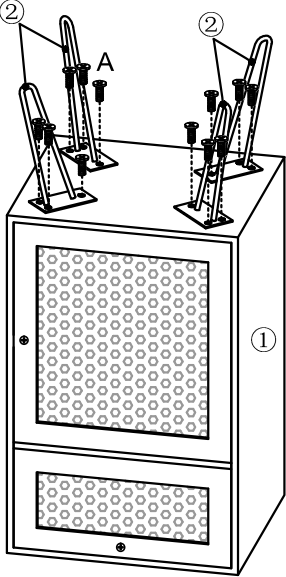
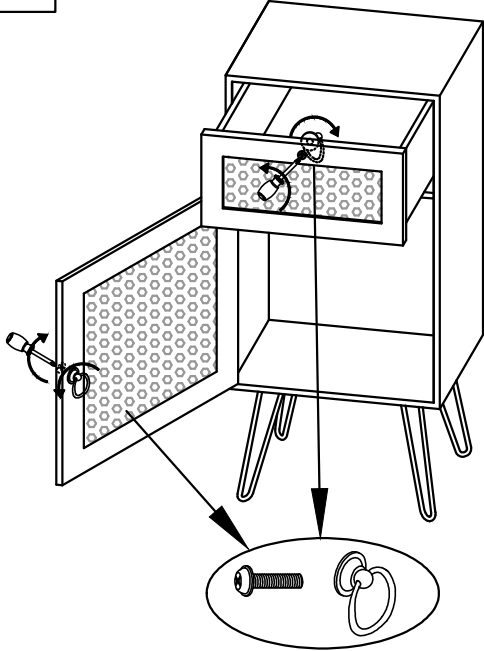
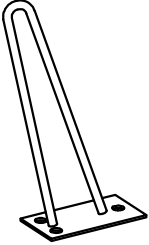
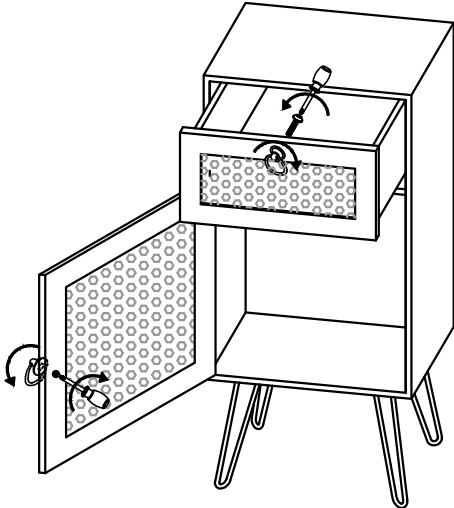
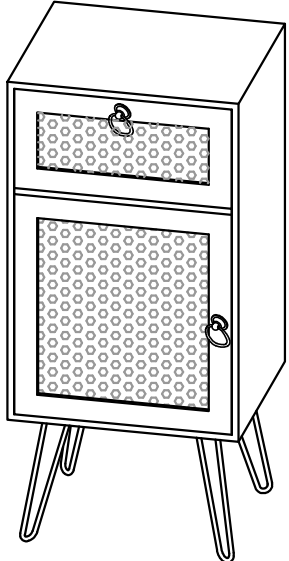
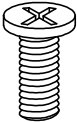


ASSEMBLY INSTRUCTION

ITEM: Metal/Rattan-NS

NO	PART LIST	QTY	STEP 1	STEP 2
①	 <p>ONE DOOR ONE DRAWER CABINET</p>	1PC	<p>Begin assembly by attaching metal legs (2) to the bottom side of Cabinet(1) and screwing 3pcs flat head screws (A) per leg using screw driver.</p> 	<p>Remove the handles from the inside of door.</p> 
②	 <p>METAL LEGS</p>	4PCS	<p>STEP 3 Assemble the handles from the front of door.</p> 	<p>STEP 4 Assembly Complete.</p> 
NO	HARDWARE LIST	QTY		
A	 <p>FLAT HEAD SCREWS Ø6 x10mm</p>	12PCS		