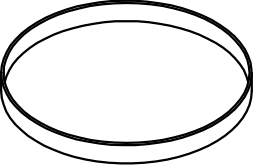
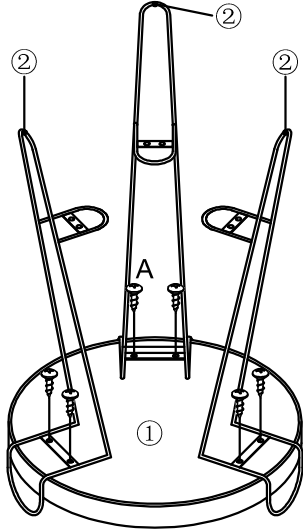
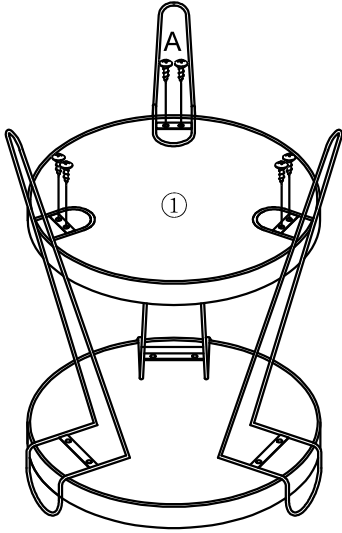

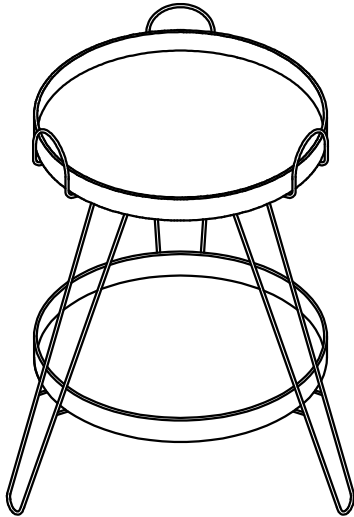



# ASSEMBLY INSTRUCTION

ITEM: Metal/Wood-End Table

NO	PART LIST	QTY	STEP 1	STEP 2
①	 <p>TRAY</p>	2PCS	<p>Begin assembly by attaching metal wire legs (2) to the bottom side of the top tray(1) and screwing 2pcs screws(A) each leg using screw driver.</p> 	<p>Attach the bottom side of the second tray (1) and screwing 2pcs screws (A) each leg using screw driver.</p> 
②	 <p>METAL WIRE LEGS</p>	3PCS		<p>STEP 3 Assembly Complete.</p> 
NO	HARDWARE LIST	QTY		
A	 <p>FLAT HEAD SCREWS Ø3 x10 mm</p>	12PCS		