
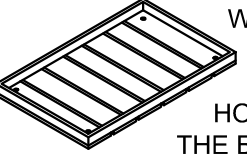
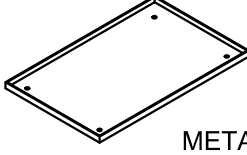
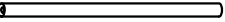
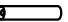


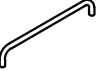

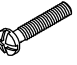




ASSEMBLY INSTRUCTION

ITEM: Metal/Oak-Cart

NO	PART LIST	QTY	STEP 1 Begin assembly by a screwing wheel (A and B) to the short metal tube(5) each piece.	STEP 2 Attaching assembled short metal tube , the wooden tray with 4 holes to long metal tube and screwing all 3 parts together with double end stud.	STEP 3 Attaching metal tray (4) to the other end of the long metal tube and screwing by flat head screw(F) by screw driver.
①	 WOODEN TRAY	1PC			
②	 WOODEN TRAY WITH 4 HOLES ON THE BOTTOM	1PC			
③	 METAL TRAY	1PC			
④	 LONG METAL TUBE	4PCS			
⑤	 SHORT METAL TUBE	4PCS	STEP 4 Attaching metal handle (C) to the wooden tray (2) and screwing with Round Head screw (E) by screw driver.	STEP 5 Attaching the tray to the assembled trolley	STEP 6 Assembly Complete
A	 WHEEL WITH BRAKE	2PCS			
B	 WHEEL	2PCS			
C	 METAL HANDLE	2PCS			
D	 DOUBLE END STUD Ø6 x 60 mm	4PCS			
E	 ROUND HEAD SCREW Ø4 x 45 mm	4PCS			
F	 FLATE HEAD SCREW Ø6 x12 mm	4PCS			
G	 ALLEN KEY Ø4 x60 mm	1PC			
			