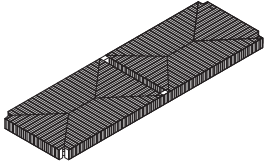
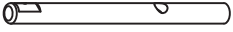
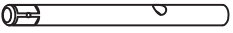
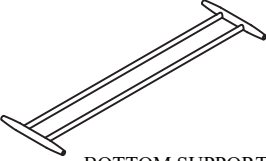









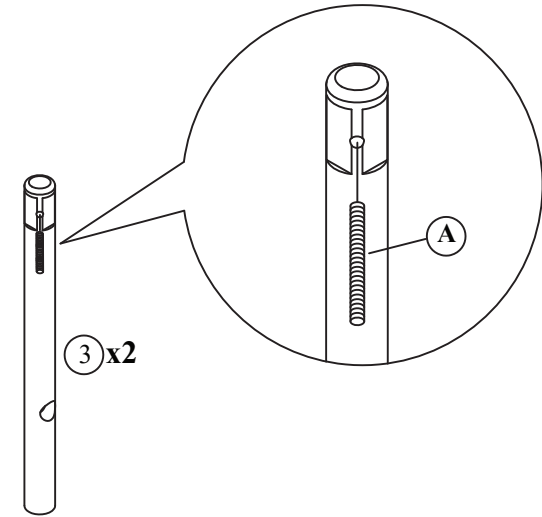
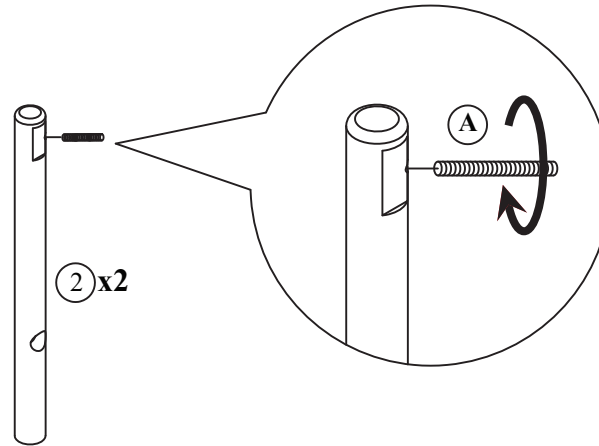
ASSEMBLY INSTRUCTION

ITEM : Oak-Bench

NO.	PARTLIST	QTY
1	 BENCH TOP	1PC
2	 LEG	2PCS
3	 LEG	2PCS
4	 BOTTOM SUPPORT FRAME	1PC
NO.	HARDWARE	QTY
A	 BOLT M6 X 80	4PCS
B	 SPRING WASHER	4PCS
C	 FLAT WASHER	4PCS
D	 NUT	4PCS
E	 WRENCH	1PC
F	 SCREW M3.5 X 40	4PCS
G	 FELT MA	4PCS

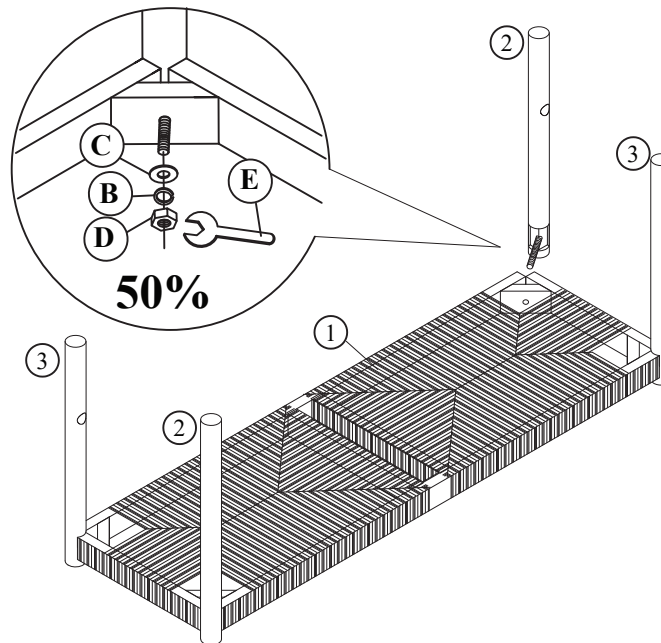
STEP 1

Put bolt (A) into leg (2) and leg (3).



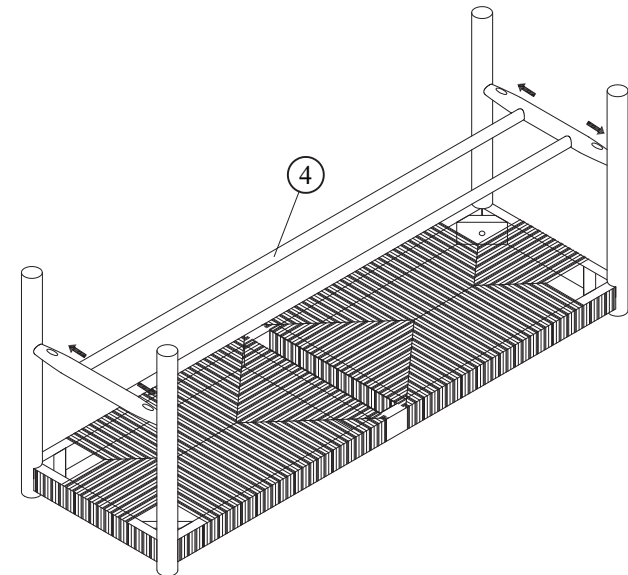
STEP 2

Put seat upside down on floor, pay attention to protect seat, fix leg (2) by using flat washer (C), spring washer (B), nut (D) and wrench (E).



STEP 3

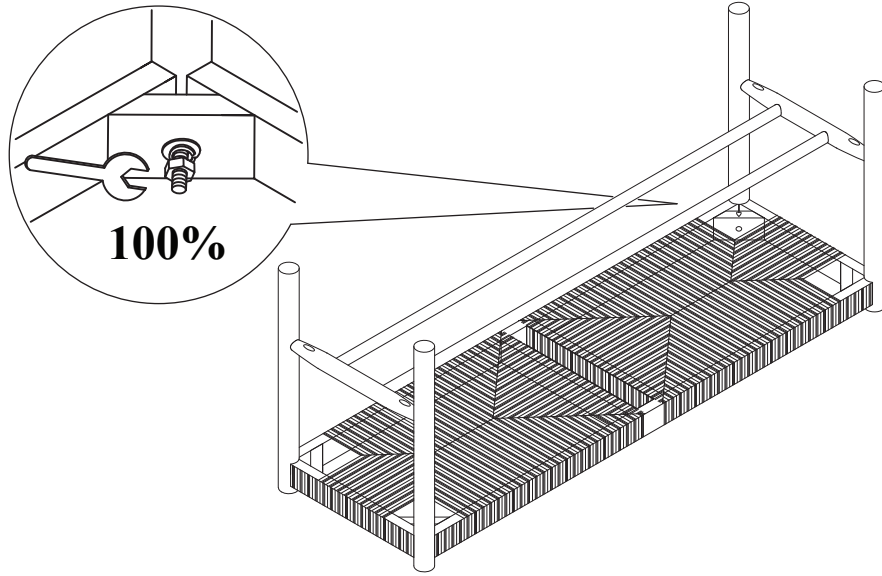
Put bottom support frame (4) into leg (2) & (3).



ASSEMBLY INSTRUCTION

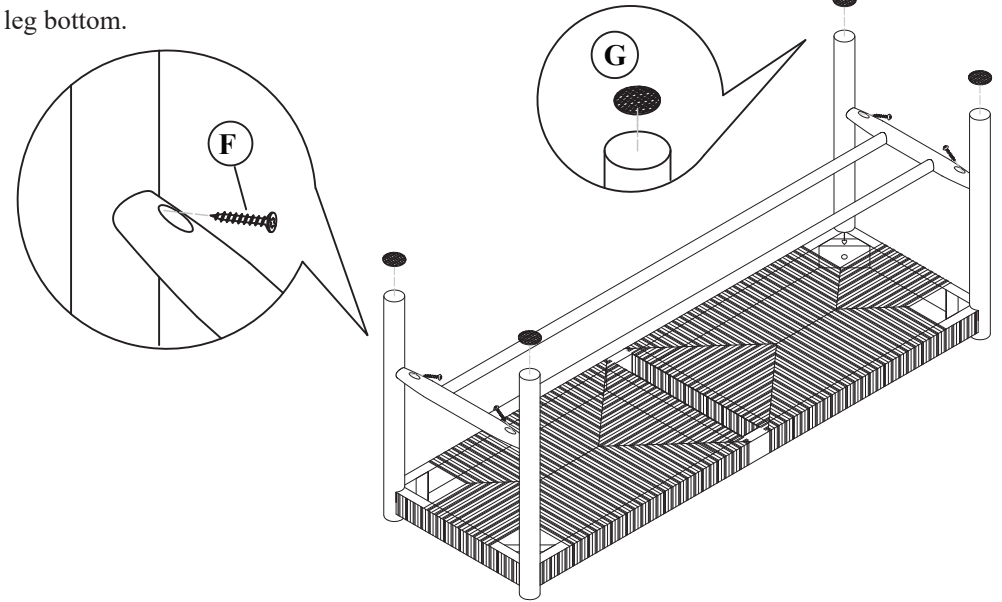
STEP 4

100% screw nut (D).

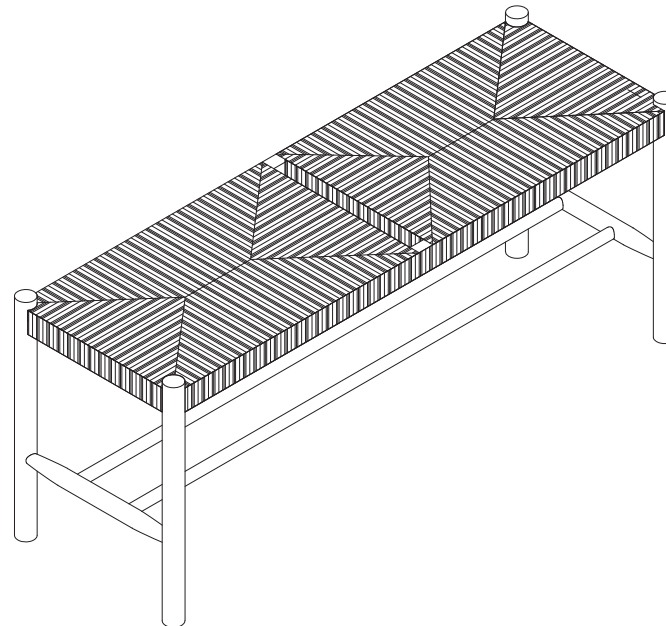


STEP 5

Fix bottom support frame (4) with leg (2) and leg (3) by screw (F), add felt pad (G) on leg bottom.



STEP 6



ASSEMBLY COMPLETED

NOTE : AFTER A FEW DAYS OF ASSEMBLY, IT WILL HAVE ACCLIMATIZED TO THE ENVIRONMENT. PLEASE TIGHTEN ALL HARDWARE.CHECK TIGHTNESS OF ALL SCREWS EVERY 6 - 8 WEEKS.