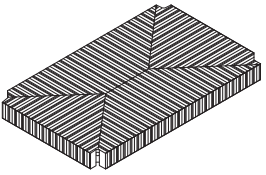
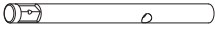

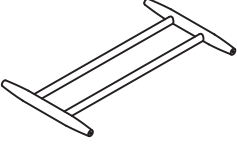









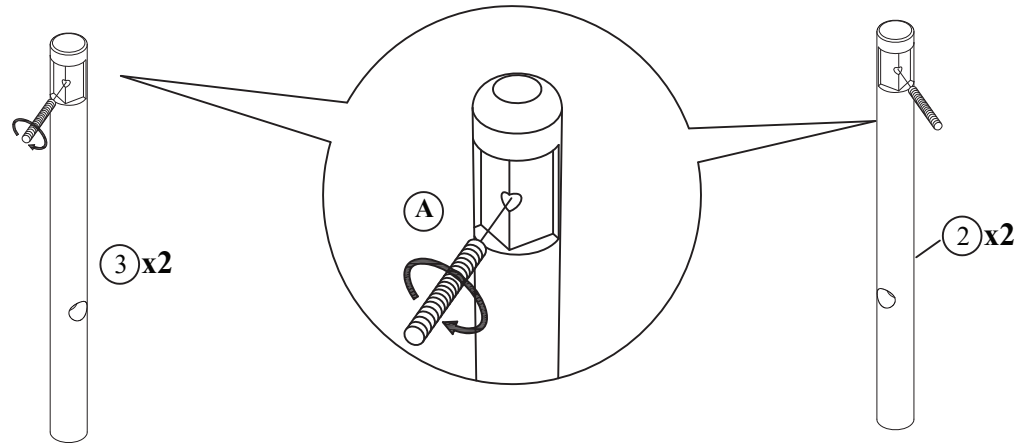
ASSEMBLY INSTRUCTION

ITEM : Oak Woven Seat-Bench

NO.	PARTLIST	QTY
1	 BENCH TOP	1PC
2	 LEG	2PCS
3	 LEG	2PCS
4	 BOTTOM SUPPORT FRAME	1PC
NO.	HARDWARE	QTY
A	 BOLT M6 X 80	4PCS
B	 SPRING WASHER	4PCS
C	 FLAT WASHER	4PCS
D	 NUT	4PCS
E	 WRENCH	1PC
F	 SCREW M3.5 X 40	4PCS
G	 FELT MA	4PCS

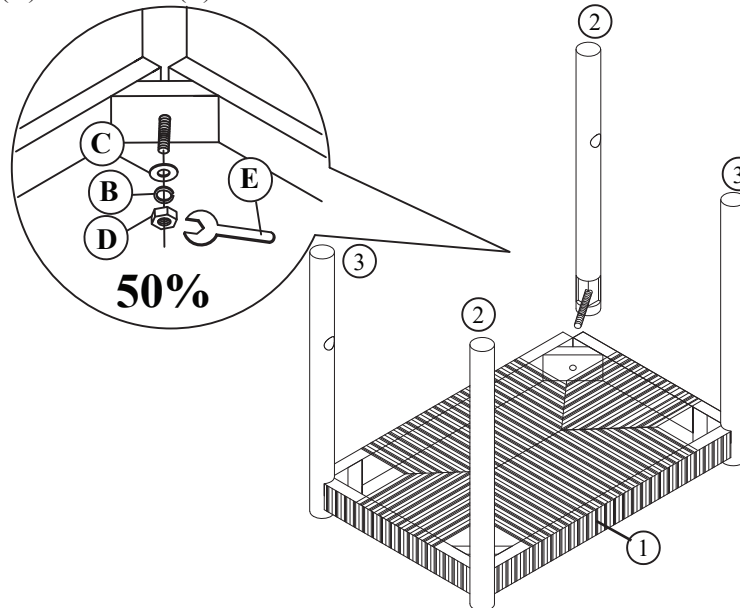
STEP 1

Insert bolt (A) into leg (2) and leg (3).



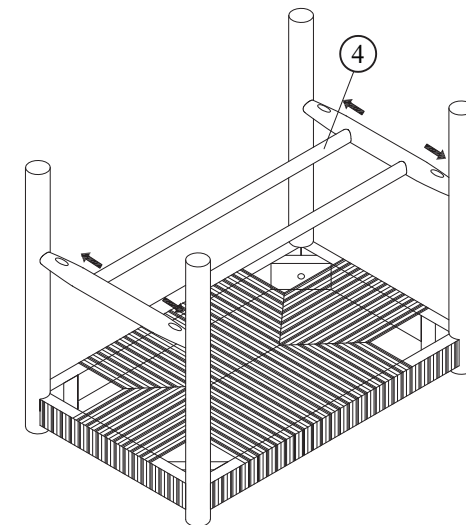
STEP 2

Put seat (1) upside down on the floor, pay attention to protect it. Fix leg (2) and leg (3) by using flat washer (C), spring washer (B), nut (D) and wrench (E).



STEP 3

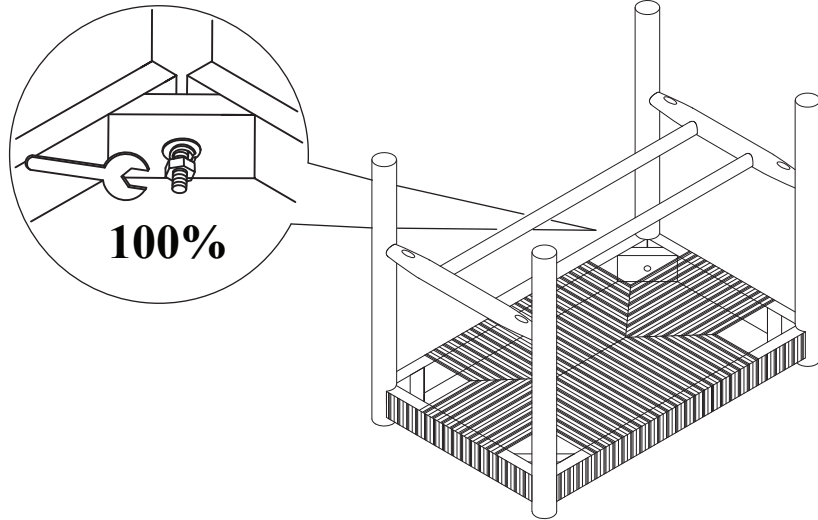
Put bottom support frame (4) into leg (2) and (3).



ASSEMBLY INSTRUCTION

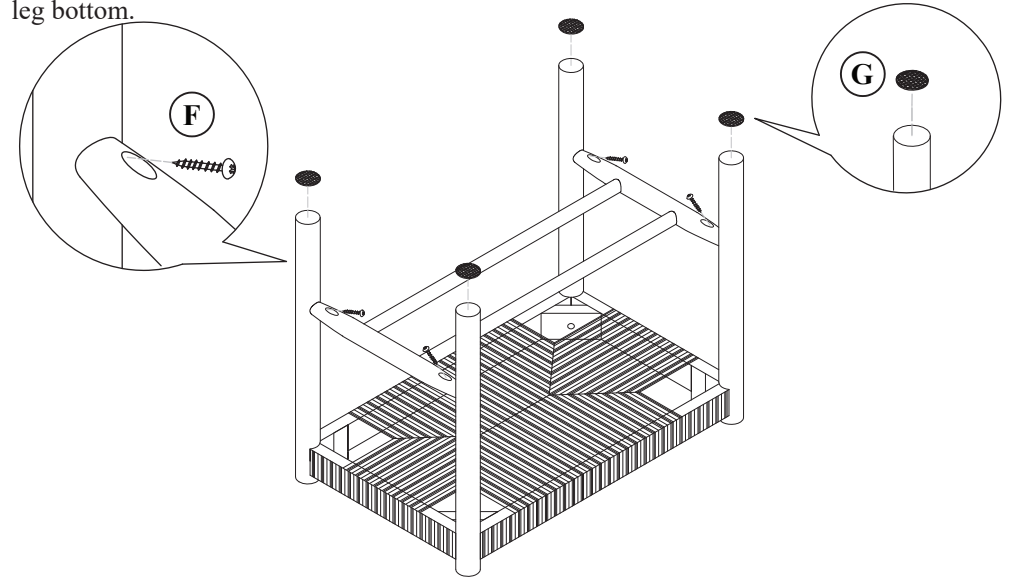
STEP 4

Screw nut 100%.

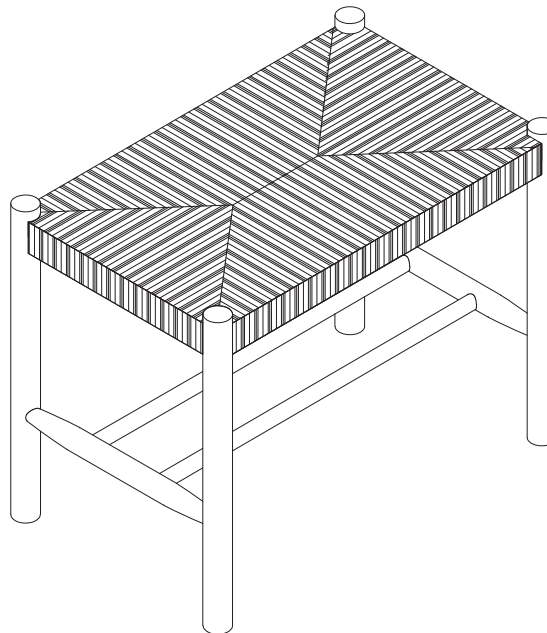


STEP 5

Fix bottom support frame (4) with leg (2) and leg (3) by screw (F), add felt pad (G) on leg bottom.



STEP 6



ASSEMBLY COMPLETED

NOTE : AFTER A FEW DAYS OF ASSEMBLY. IT WILL HAVE ACCLIMATIZED TO THE ENVIRONMENT. PLEASE TIGHTEN ALL HARDWARE.CHECK TIGHTNESS OF ALL SCREWS EVERY 6 - 8 WEEKS.