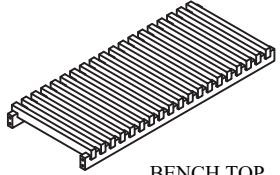
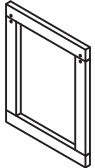
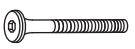






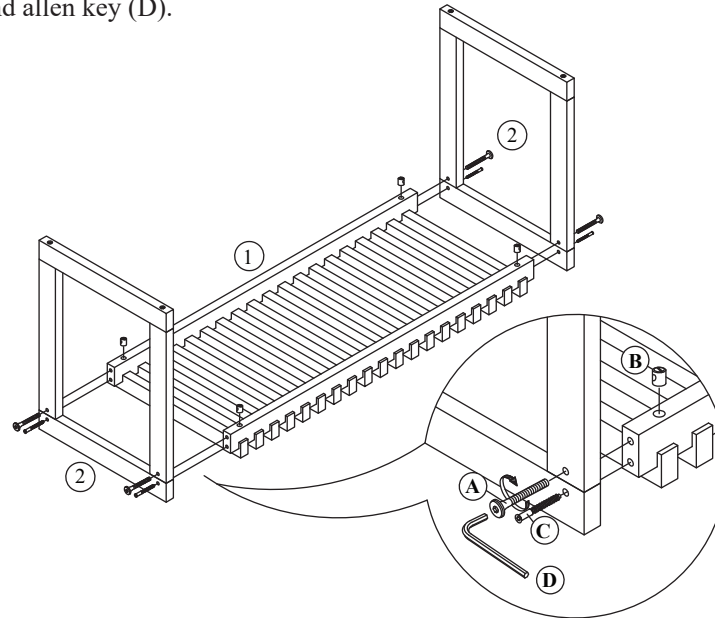
ASSEMBLY INSTRUCTION

ITEM : Oak-Bench

| NO. | PARTLIST | QTY |
|-----|---------------------------------------------------------------------------------------------------------|------|
| 1 |  BENCH TOP | 1PC |
| 2 |  SIDE FRAME | 2PCS |
| NO. | HARDWARE | QTY |
| A |  JCBC SCREW M6 X 50 | 4PCS |
| B |  NUT M10 X 12 | 4PCS |
| C |  SCREW M7 X 50 | 4PCS |
| D |  ALLEN KEY M4 | 1PC |
| E |  ADJUST FOOT | 4PCS |

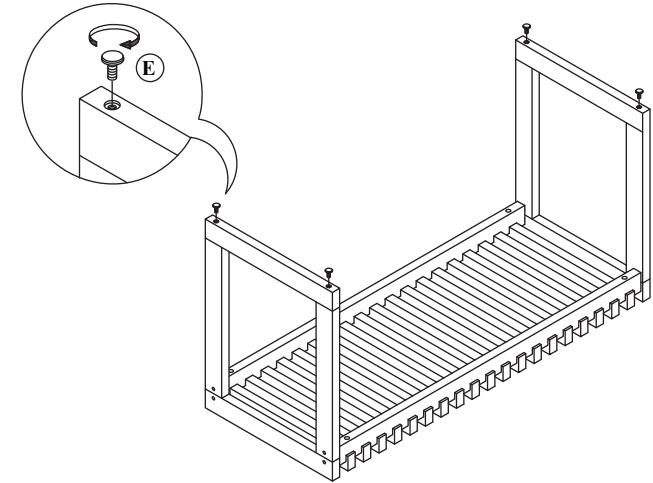
STEP 1

Put bench top (1) down on flat floor, pls pay attention to protect top;
Fix side frame (2) and bench top by using Jcbc screw (A),screw (C)
and allen key (D).

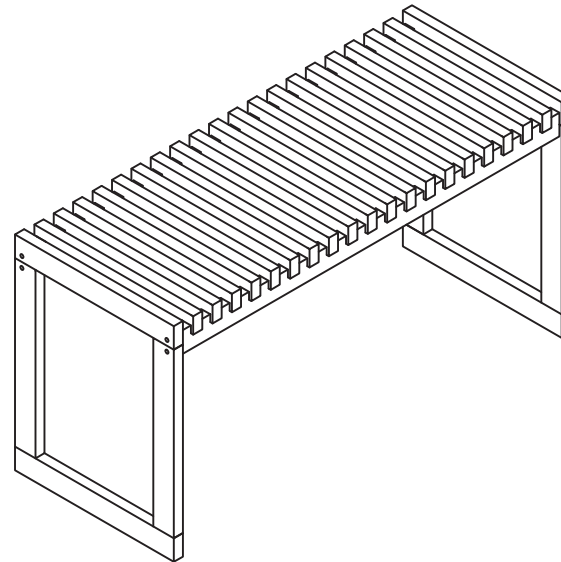


STEP 2

Rotate adjust foot (E) on side frame bottom.



STEP 3



ASSEMBLY COMPLETED

NOTE : AFTER A FEW DAYS OF ASSEMBLY. IT WILL HAVE ACCLIMATIZED TO THE ENVIRONMENT. PLEASE TIGHTEN ALL HARDWARE.CHECK TIGHTNESS OF ALL SCREWS EVERY 6 - 8 WEEKS.