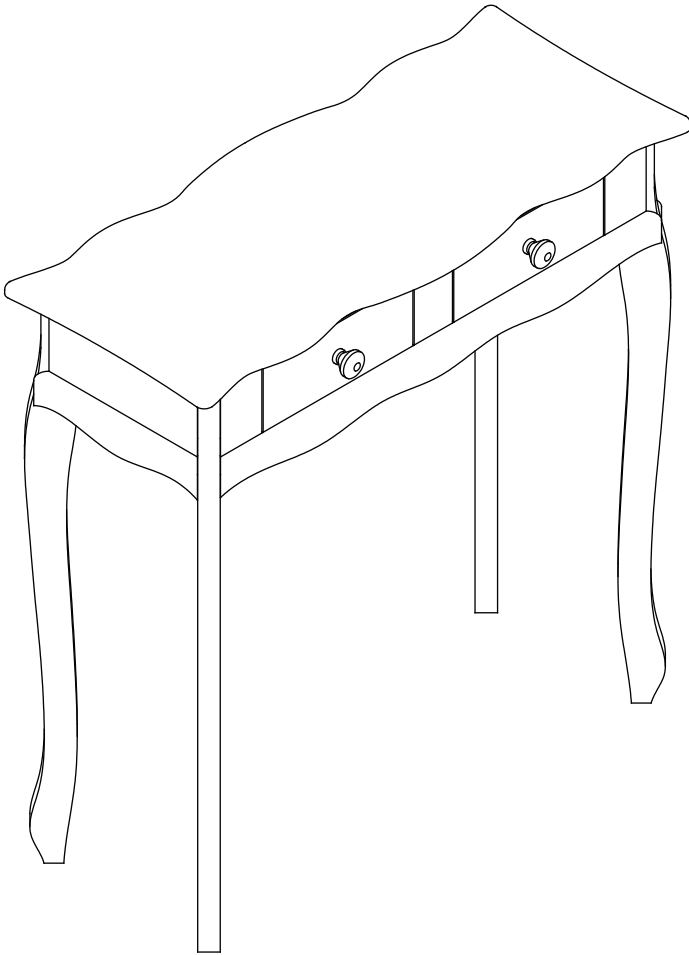
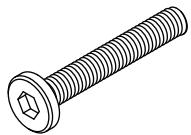
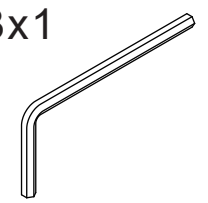
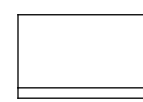

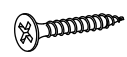



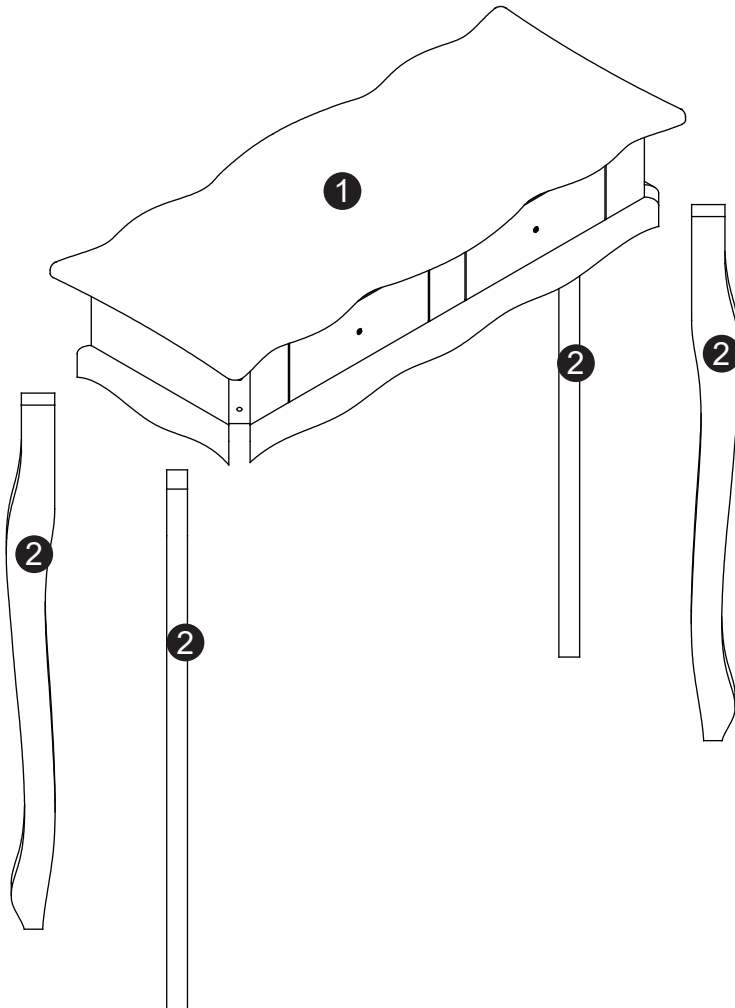


# Assembly Instructions

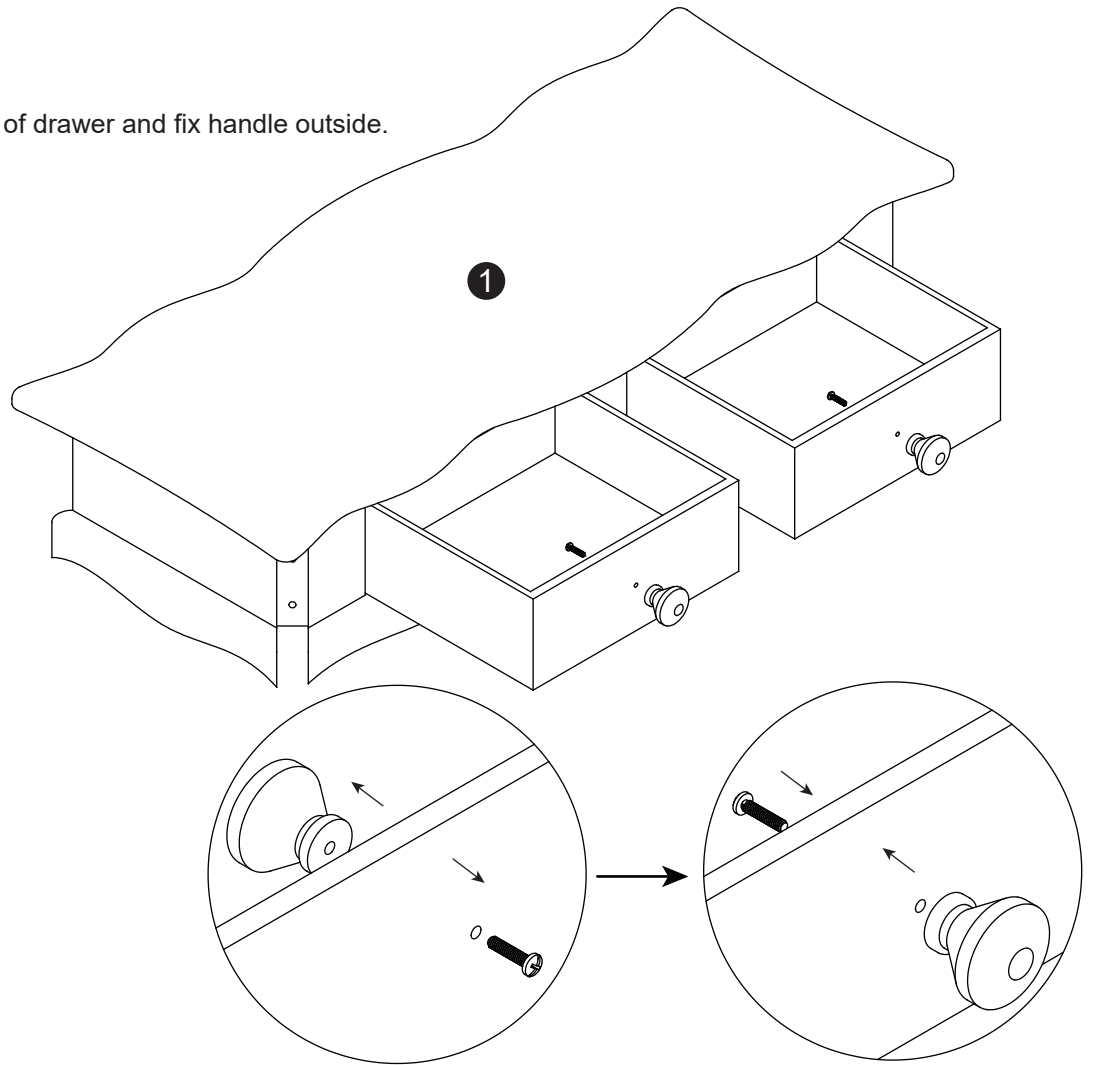


Ax8 	Bx1 
Cx4 	Dx1 
Ex1 	Fx2 
Gx1 	Hx1 



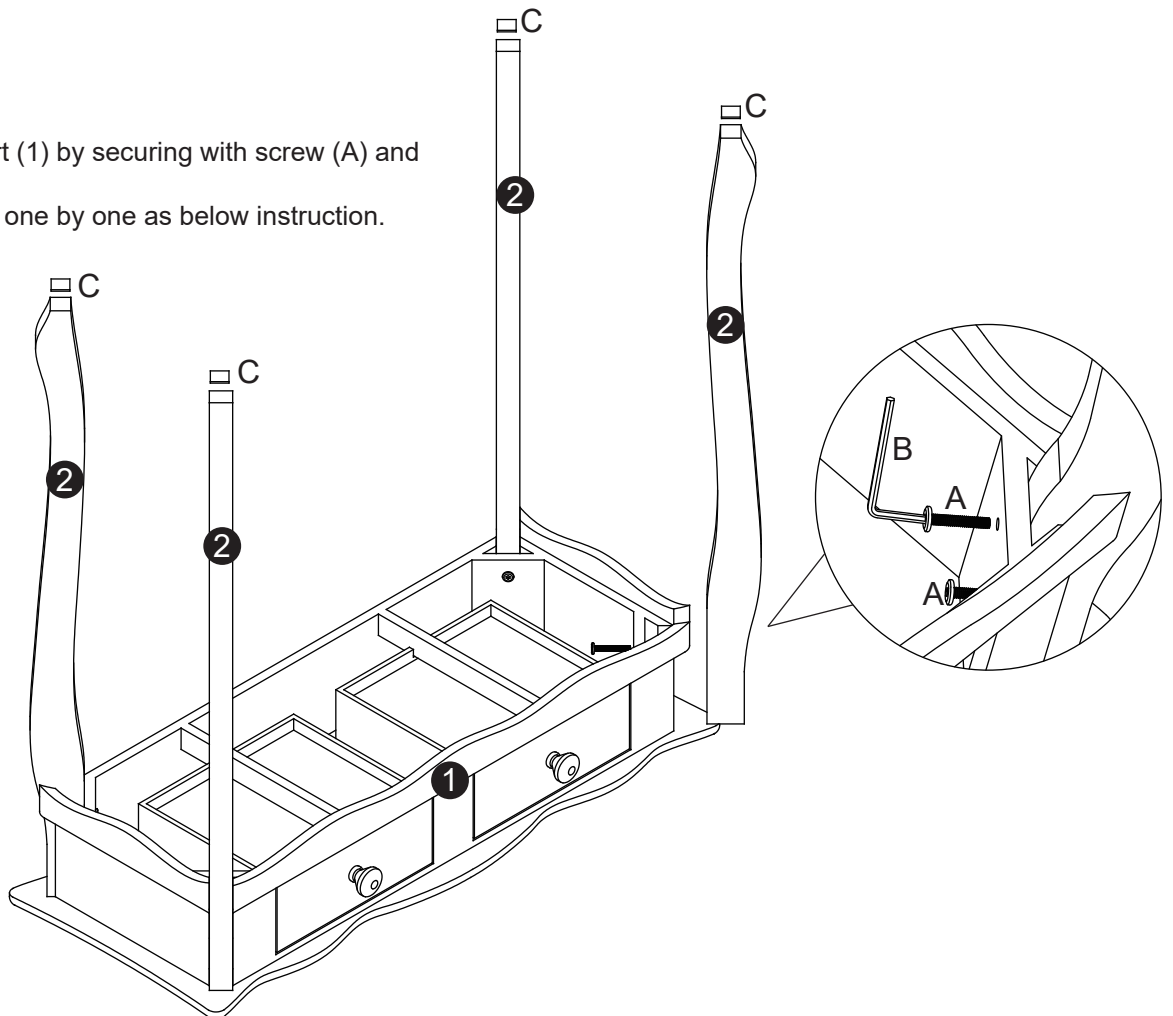
01

Remove handle from inside of drawer and fix handle outside.

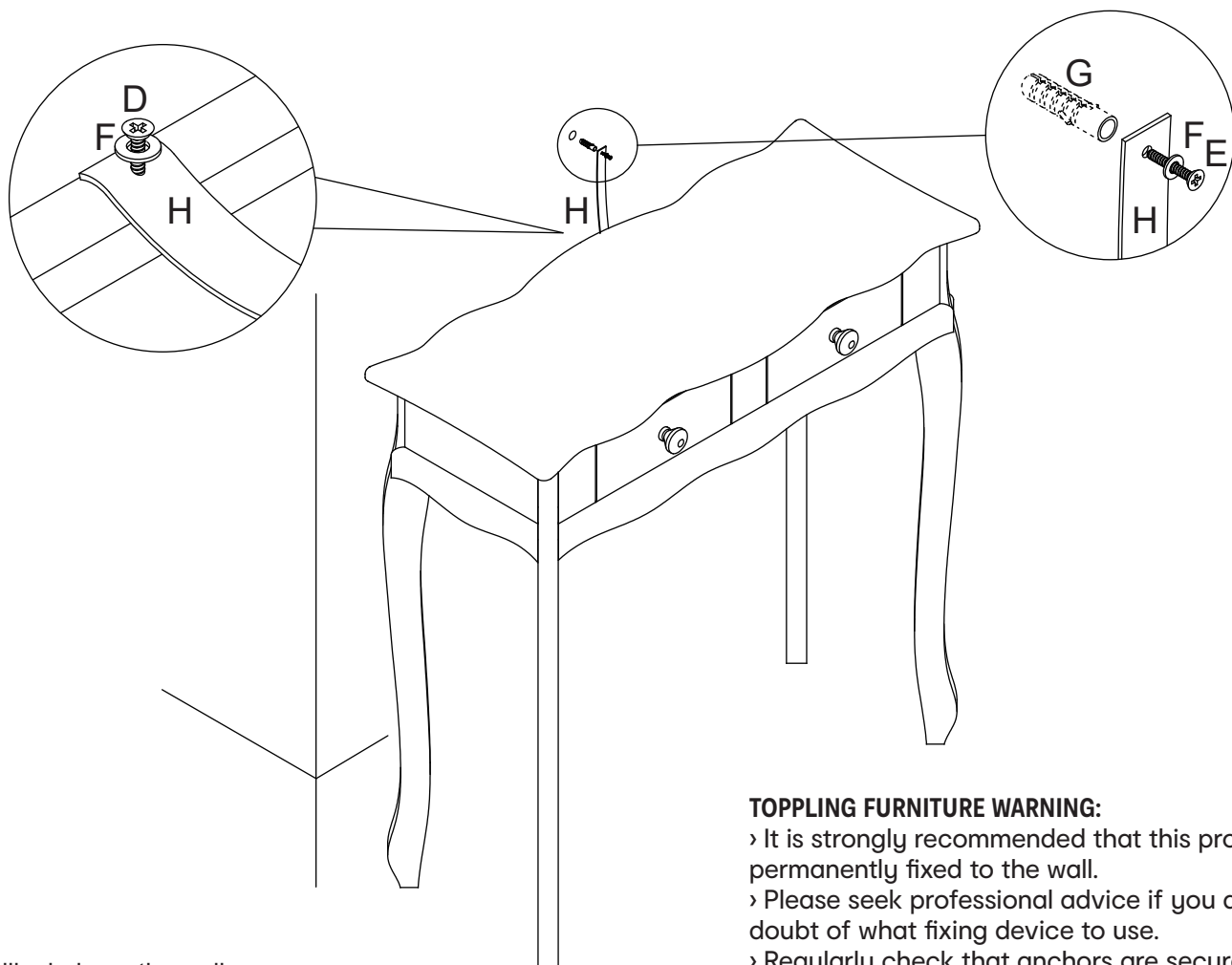


02

Attach leg (2) to Part (1) by securing with screw (A) and hexagonal(B).  
Attach (C) to leg (2) one by one as below instruction.



Attach wall strap (H) to product by securing with screw (D) and washer (F).



Drill a hole on the wall  
 Hammer (G) into the hole on the wall .  
 Fix wall strap (H) to (G) with screw (E) and washer (F) .

**TOPPLING FURNITURE WARNING:**

- › It is strongly recommended that this product is permanently fixed to the wall.
- › Please seek professional advice if you are in doubt of what fixing device to use.
- › Regularly check that anchors are securely maintained.
- › Stability of tall items may be affected by thick pile carpet or uneven floors.
- › Do not place unanchored televisions on furniture.

**Caution!** When attaching the anchor fixings, check for any electrical wires or plumbing behind the wall before drilling any holes (if you are unsure, please seek professional advice from a qualified tradesperson).