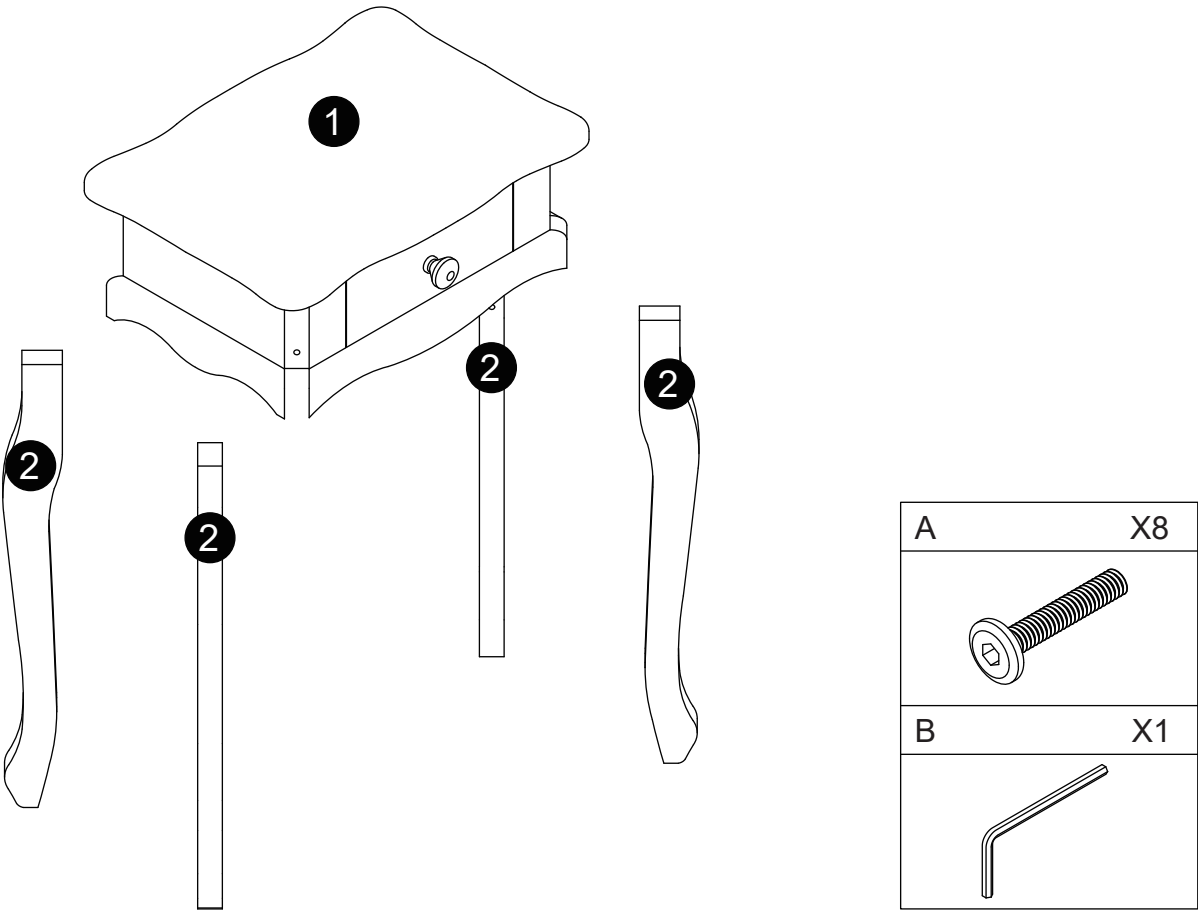
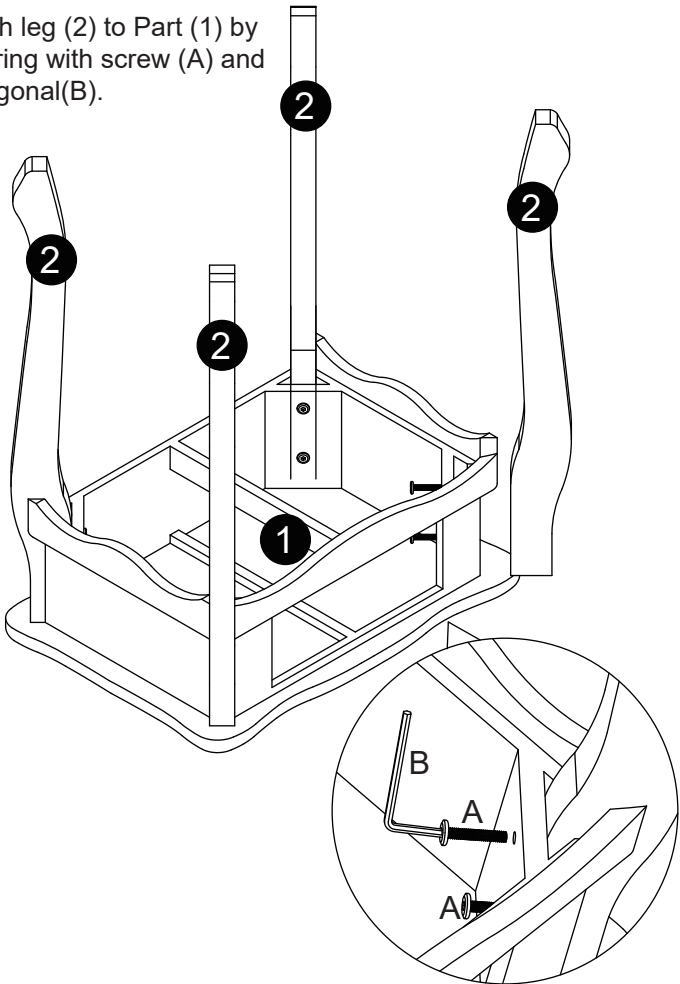


Assembly Instructions



STEP 1

Attach leg (2) to Part (1) by securing with screw (A) and hexagonal (B).



STEP 2

Remove handle from inside of drawer and fix handle outside.

