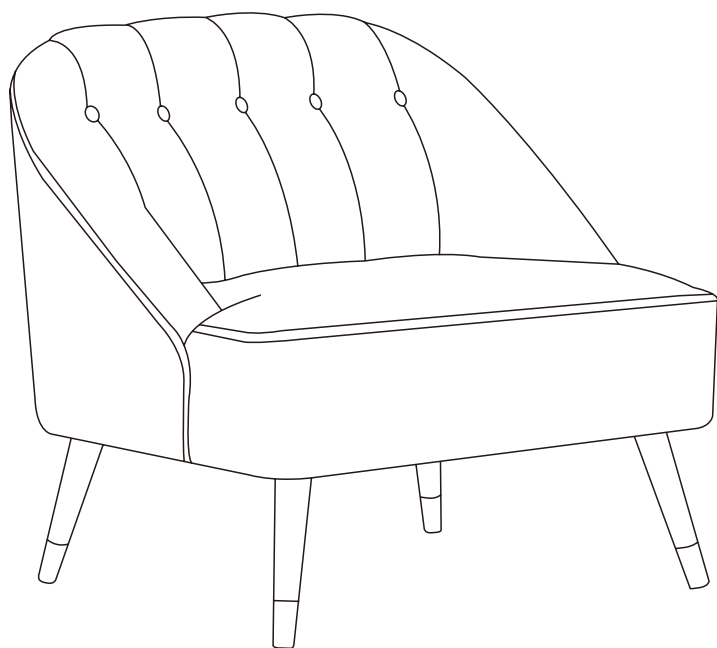
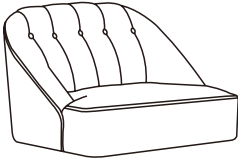

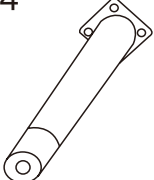



# ASSEMBLY INSTRUCTION



A x 1 	D x 1 
B x 4 	E x 4 
C x 4 