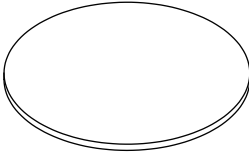
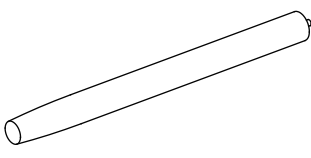
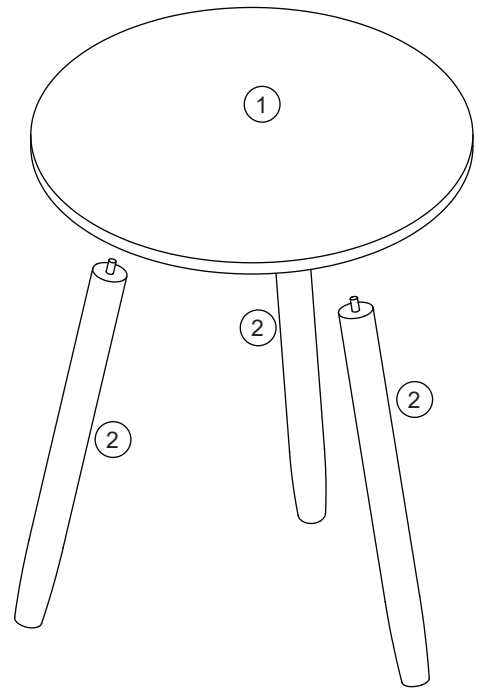


# Assembly Instructions

## 1 Parts List

			
①	1pc	②	3pcs

## 2



Screw leg (2) to Part (1) one by one.  
Please ensure legs are at the correct angle before  
screwing them in.

