

ASSEMBLY INSTRUCTIONS

CAUTION:

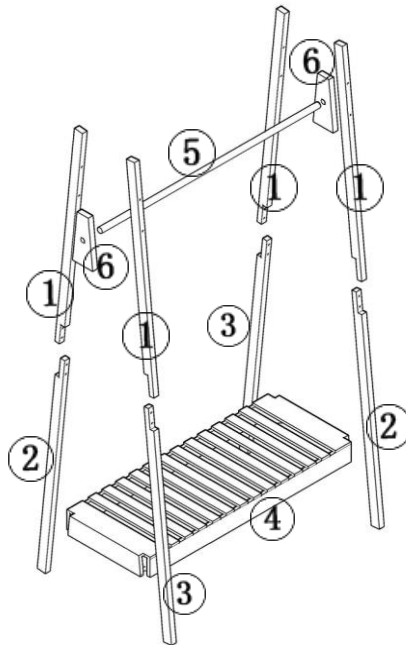
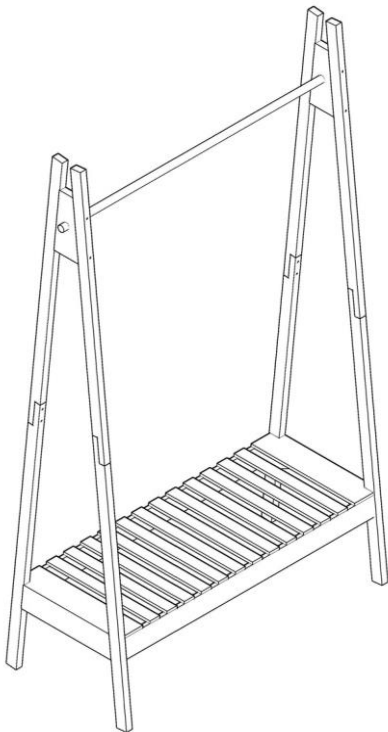
PLEASE READ THE INSTRUCTIONS CAREFULLY.

1. BE SURE YOU HAVE ALL PARTS BEFORE YOU START ASSEMBLING.
 2. ASSEMBLE ON A CLEAN SOFT CARPETED SURFACE TO AVOID SCRATCHING THE SURFACE OF THE UNIT.
 3. DO NOT DRAG OR KNOCK THE PRODUCT. DO NOT SIT OR STAND ON THE BOTTOM SHELF. DO NOT PLACE HOT ITEMS SUCH AS COFFEE CUPS DIRECTLY ON THE SURFACE OF THE BOTTOM SHELF.
 4. WHEN CLEANING THE SURFACE, USE A DAMP CLOTH OR DRY CLEAN CLOTH. DO NOT USE ABRASIVE MATERIALS AND SOLVENTS. KEEP AWAY FROM DIRECT SUNLIGHT AND WATER. FOR INDOOR USE ONLY.
 5. CHECK TIGHTNESS OF SCREWS EVERY 6-8 WEEKS.
- FAILURE TO FOLLOW THESE WARNINGS COULD RESULT IN SERIOUS INJURY.

WARNING:

THIS PACKAGE CONTAINS SMALL PARTS AND SHARP POINTS.
KEEP AWAY FROM CHILDREN AND BABIES UNTIL ASSEMBLY IS COMPLETE.
ADULT ASSEMBLY REQUIRED.

MAXIMUM SAFE LOAD:5KGS FOR HANGER BAR,10KGS FOR BOTTOM SHELF.



6x50mm



Ax8

6x45mm



Bx8

6x30mm



Cx2

4x30mm

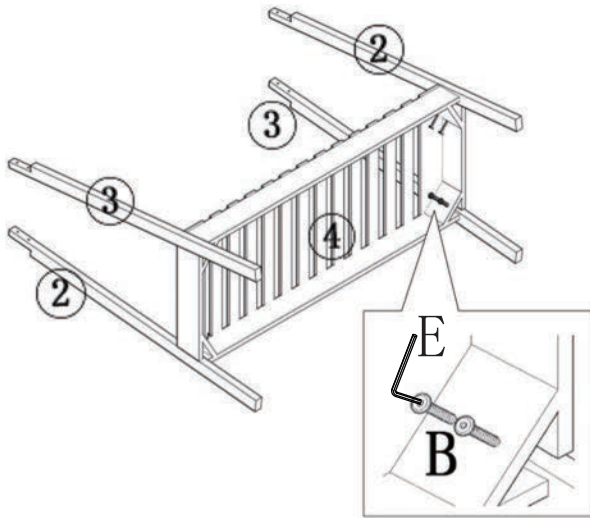


Dx8

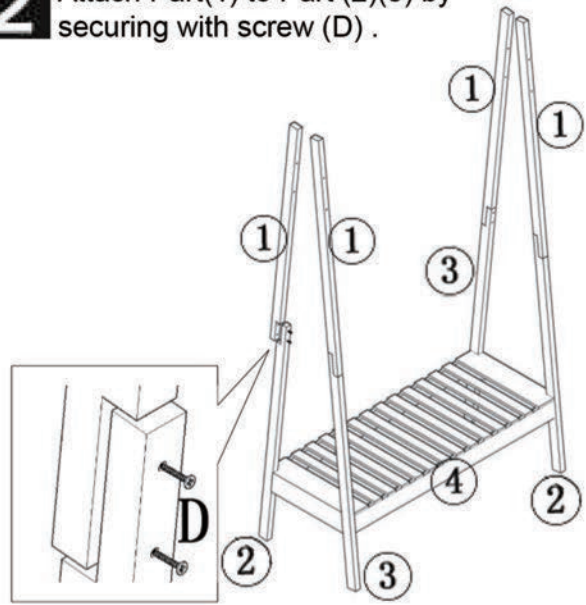


Ex1

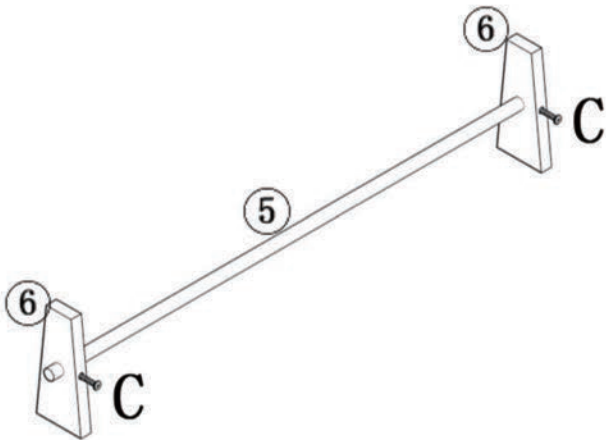
1 Attach Part (2)(3) to Part(4) by securing with screw (B) and hexagonal (E)



2 Attach Part(1) to Part (2)(3) by securing with screw (D) .



3 Attach Part (5) to Part (6) by securing with screw(C).



4 Attach Part (6) to Part (1) by securing with screw (A).

