

ASSEMBLY INSTRUCTIONS-

CAUTION:

PLEASE READ THE INSTRUCTIONS CAREFULLY.

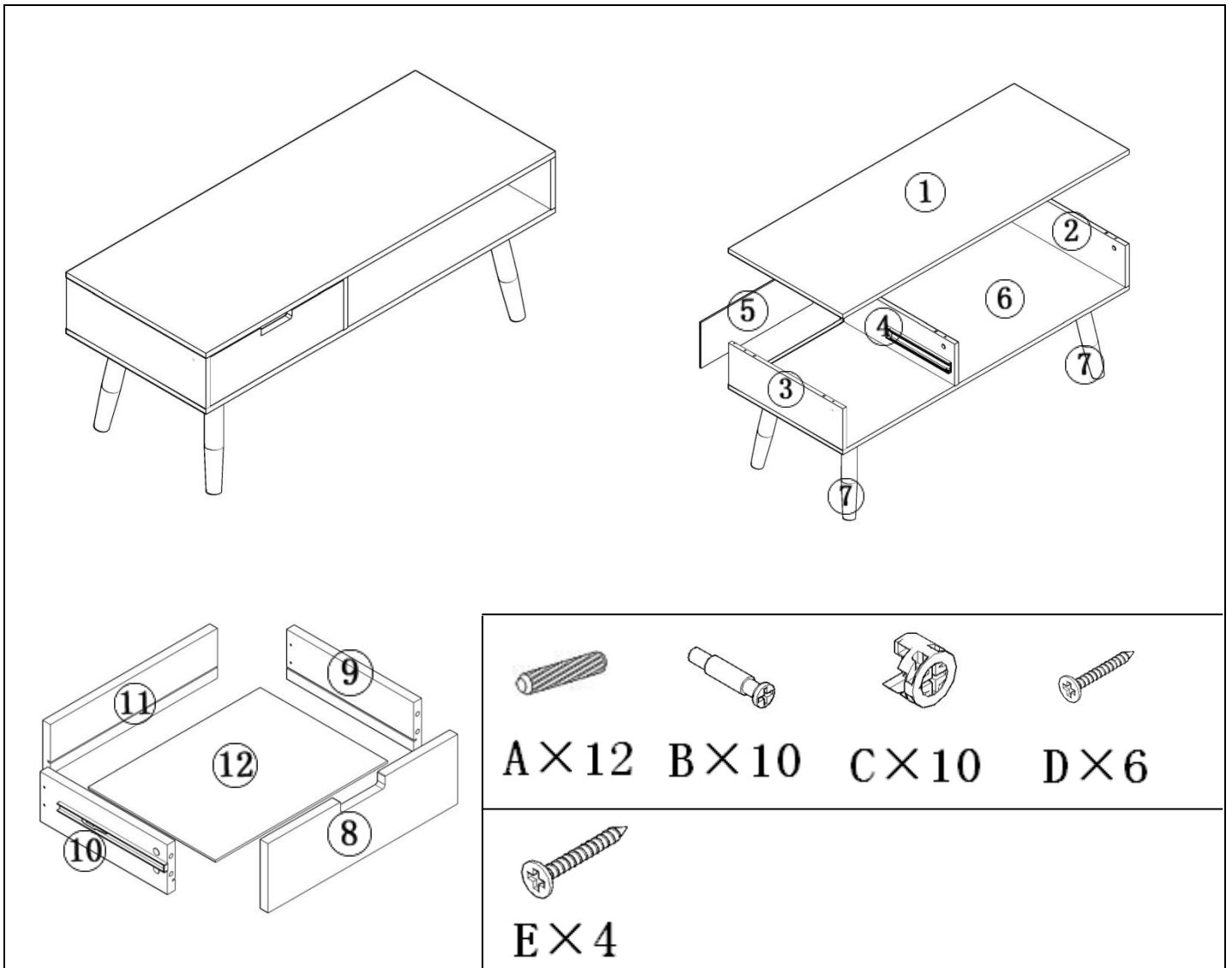
1. BE SURE YOU HAVE ALL PARTS BEFORE YOU START ASSEMBLING.
2. ASSEMBLE ON A CLEAN SOFT CARPETED SURFACE TO AVOID SCRATCHING THE SURFACE OF THE UNIT.
3. DO NOT DRAG OR KNOCK THE TABLE. DO NOT SIT OR STAND ON THE TABLE. DO NOT PLACE HOT ITEMS SUCH AS COFFEE CUPS DIRECTLY ON THE SURFACE OF THE TABLE.
4. WHEN CLEANING THE SURFACE, USE A DAMP CLOTH OR DRY CLEAN CLOTH. DO NOT USE ABRASIVE MATERIALS AND SOLVENTS. KEEP AWAY FROM DIRECT SUNLIGHT. FOR INDOOR USE ONLY.
5. CHECK TIGHTNESS OF SCREWS EVERY 6-8 WEEKS.

FAILURE TO FOLLOW THESE WARNINGS COULD RESULT IN SERIOUS INJURY.

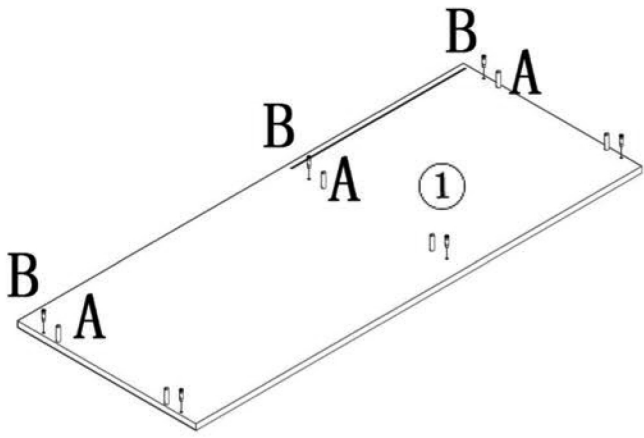
WARNING:

THIS PACKAGE CONTAINS SMALL PARTS AND SHARP POINTS.
KEEP AWAY FROM CHILDREN AND BABIES UNTIL ASSEMBLY IS COMPLETE.
ADULT ASSEMBLY REQUIRED.

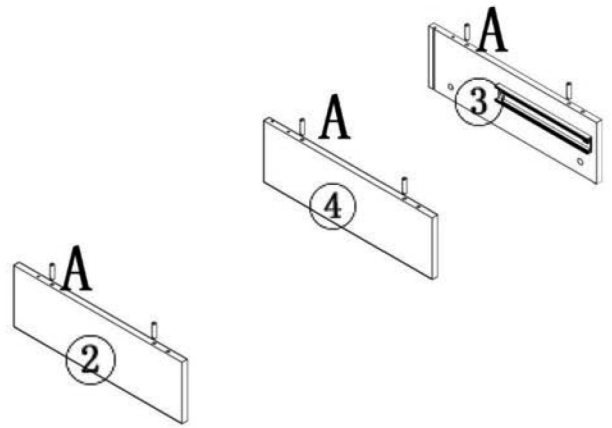
MAXIMUM SAFE LOAD:10KGS FOR TOP PANEL, 5KGS FOR INSIDE DRAWER.



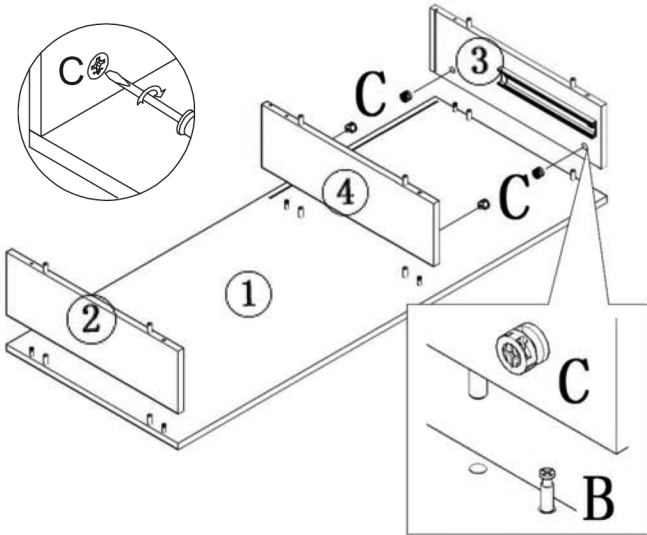
1 Insert wooden dowel(A) and secure male camlock (B) to Part (1).



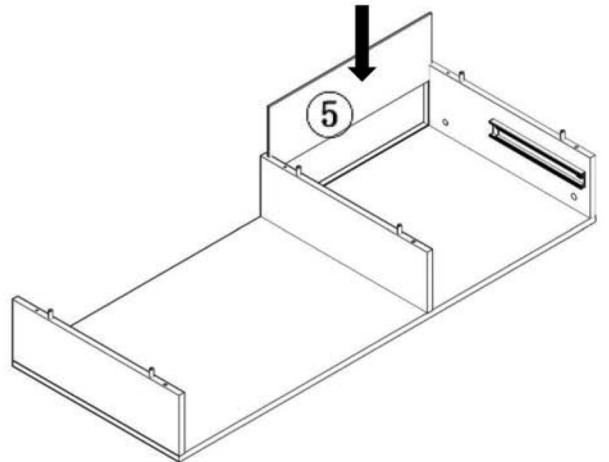
2 Insert wooden dowel (A) to Part (2)(3)(4) as below instruction .



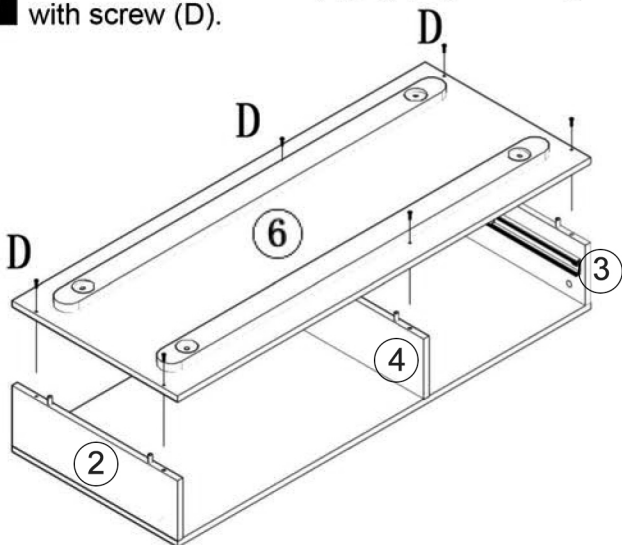
3 Attach Part (2)(3)(4) to Part (1) by securing with camlock (B) & (C) as below instruction.



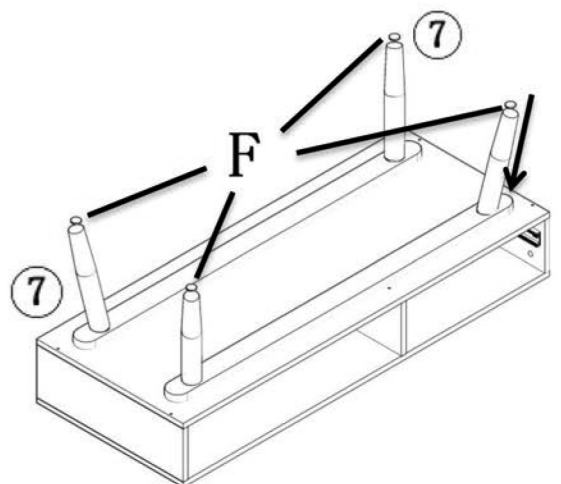
4 Insert Part (5) as below instruction



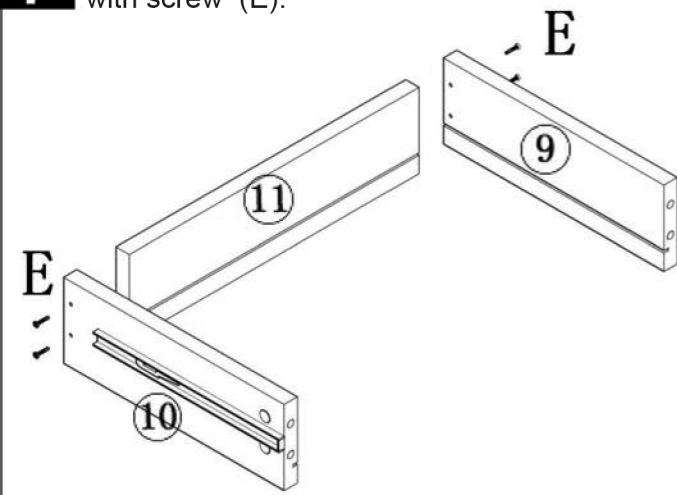
5 Attach Part(6) to Part (2)(3)(4) by securing with screw (D).



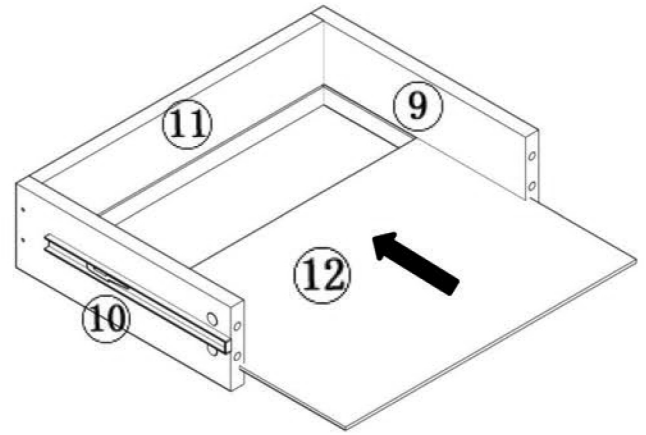
6 Screw leg (7) to the bottom one by one by aligning .



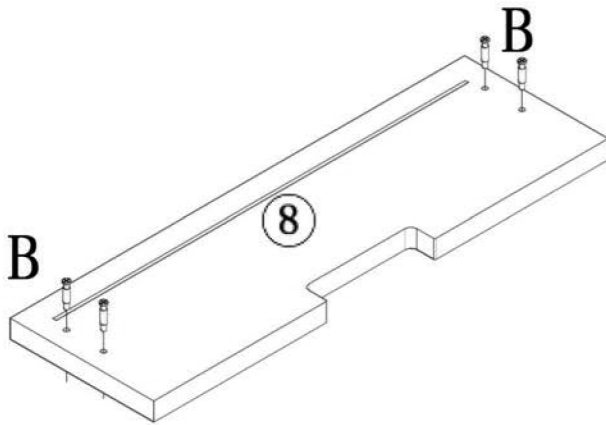
7 Attach Part (9)(10) to Part(11) by securing with screw (E).



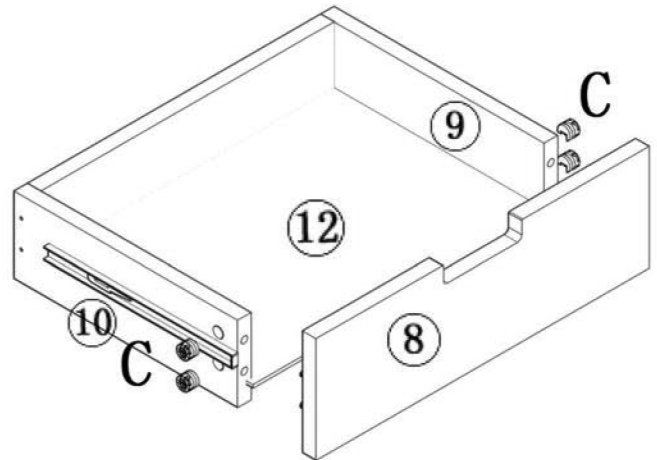
8 Insert Part (12) to Part (9)(10)(11).



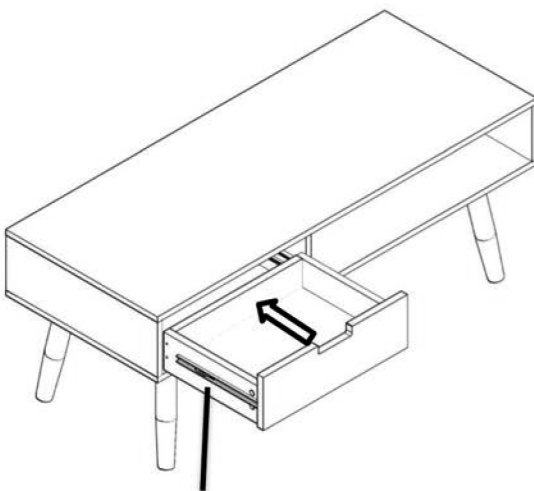
9 Secure male camlock(B) to Part (8)



10 Attach Part(8) to Part (9)(10)(12) by securing with camlock (B)& (C).

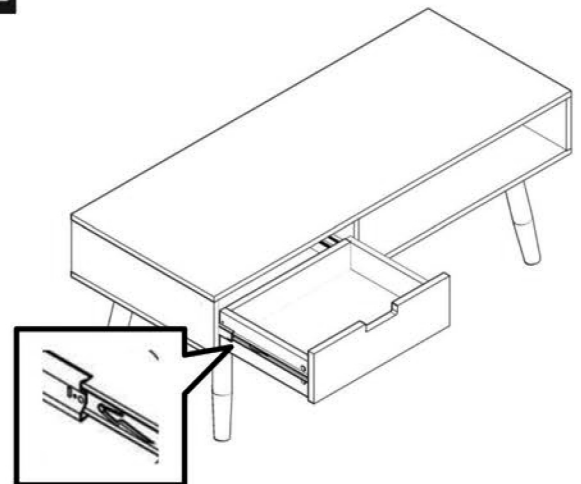


11



Ensure the drawer runners are aligned.

12



Lift / Press the lever to release the drawer.