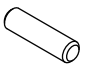
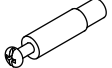
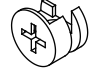
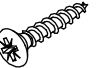
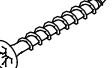
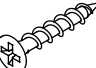
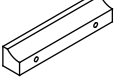
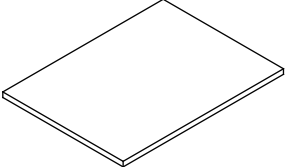
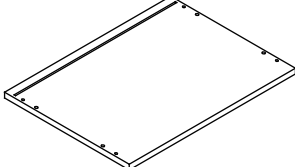
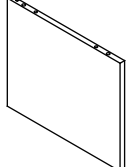
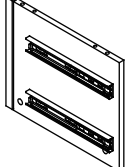
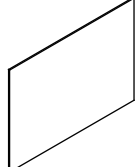
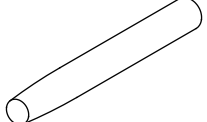
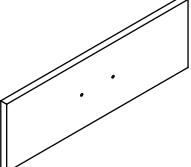
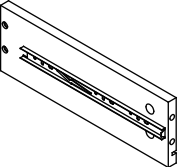
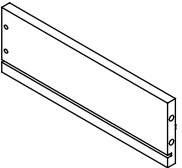
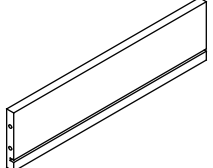
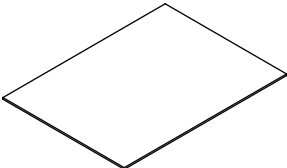


Assembly Instructions

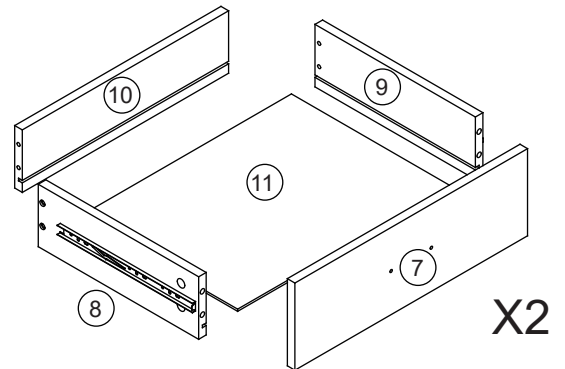
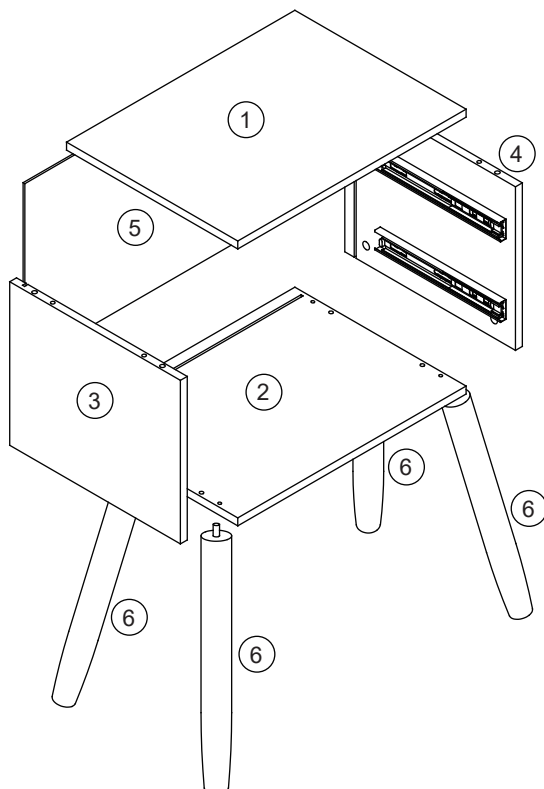
1 Hardware List

	A	6x30mm	8pcs		B		12pcs		C		12pcs
	D	M4x30mm	4pcs		E	M4x50mm	8pcs		F	M4x25mm	4pcs
	G		2pc								

2 Parts List

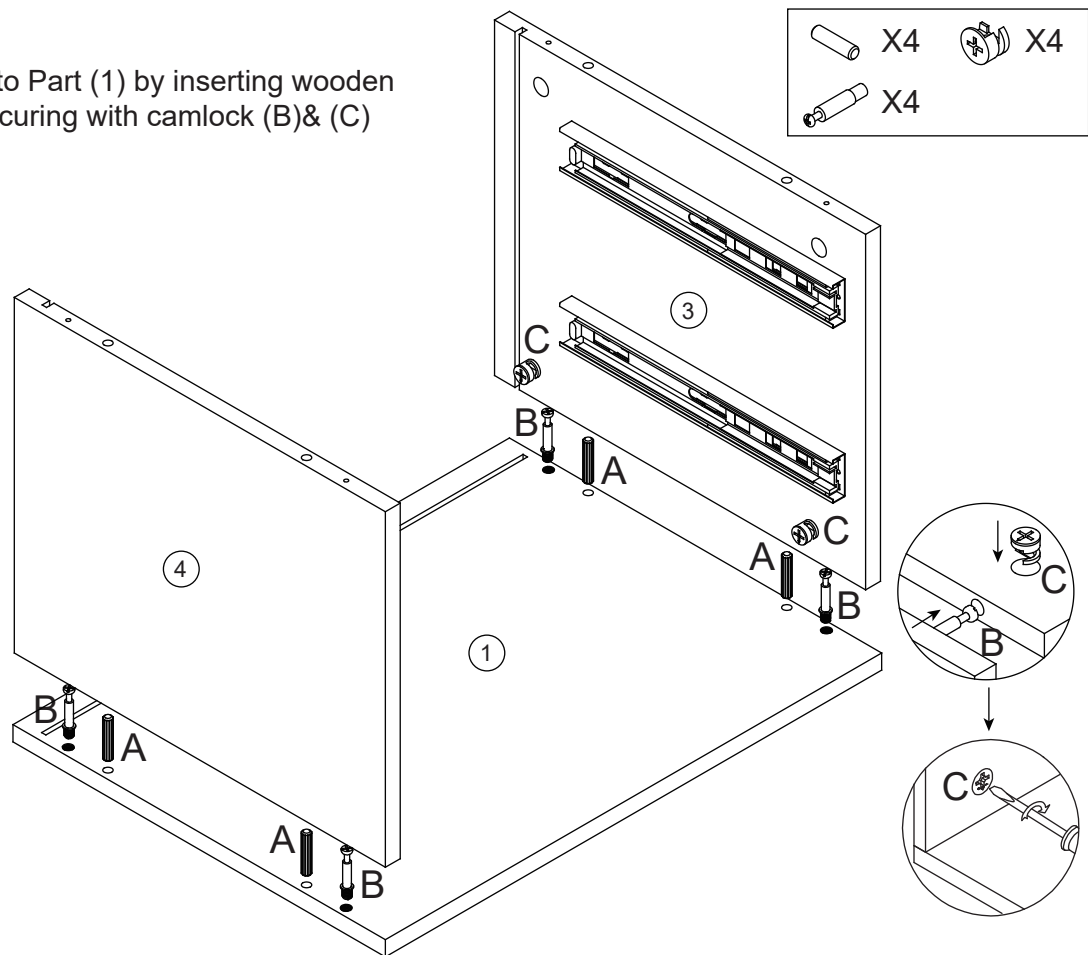
	①	1pc		②	1pc		③	1pc		④	1pc
	⑤	1pc		⑥	4pcs		⑦	2pcs		⑧	2pcs
	⑨	2pcs		⑩	2pcs		⑪	2pcs			

3



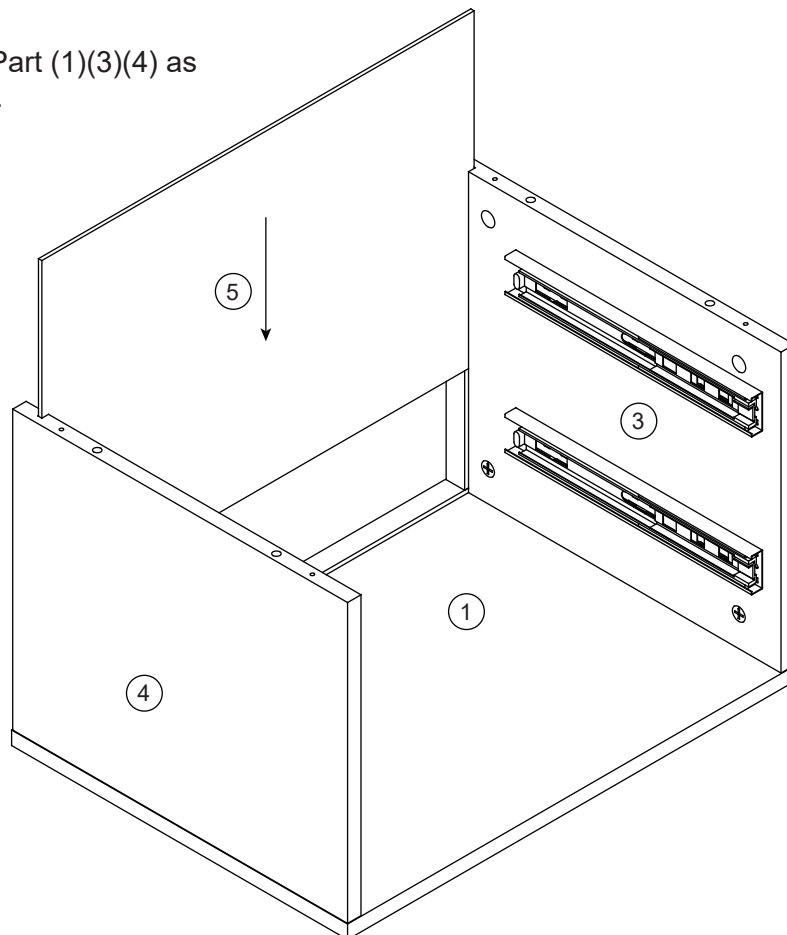
STEP 1

Attach Part(3)(4)to Part (1) by inserting wooden dowel (A) and securing with camlock (B)& (C)



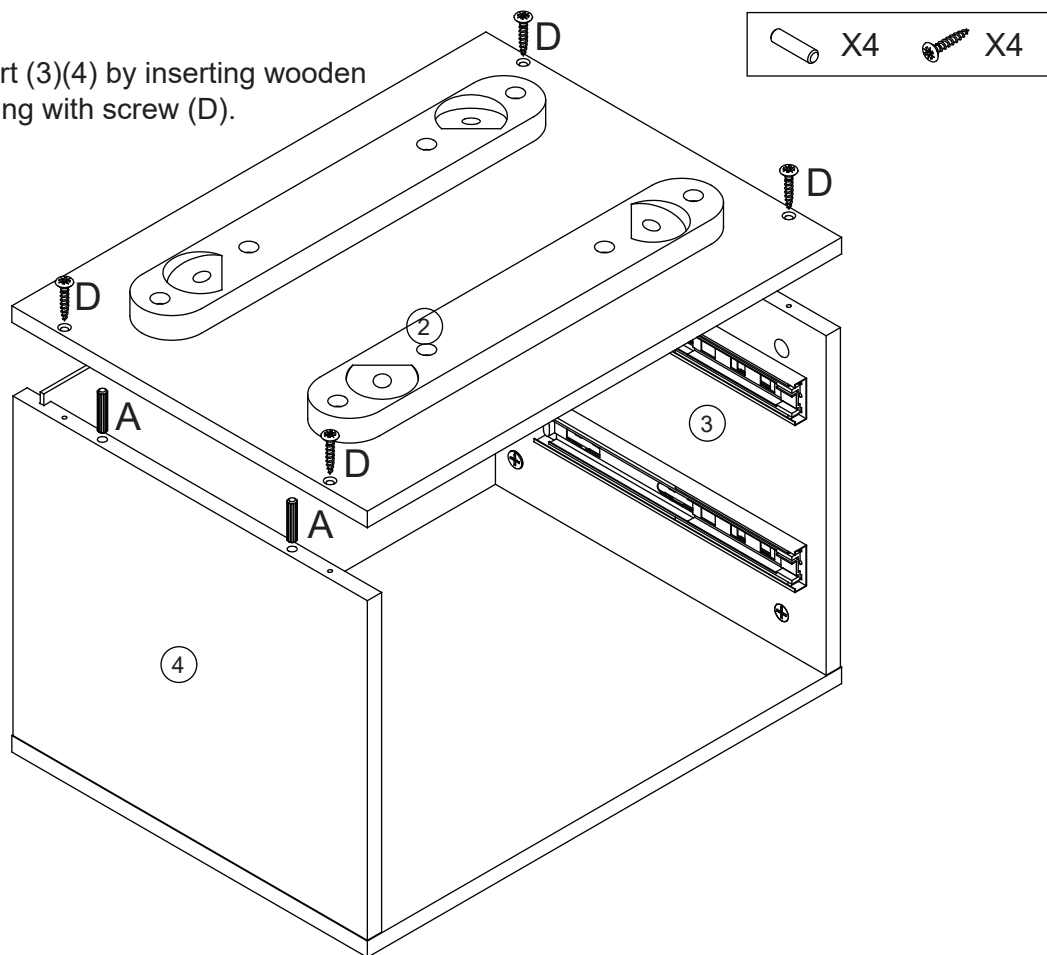
STEP 2

Insert Part (5)to Part (1)(3)(4) as below instruction.



STEP 3

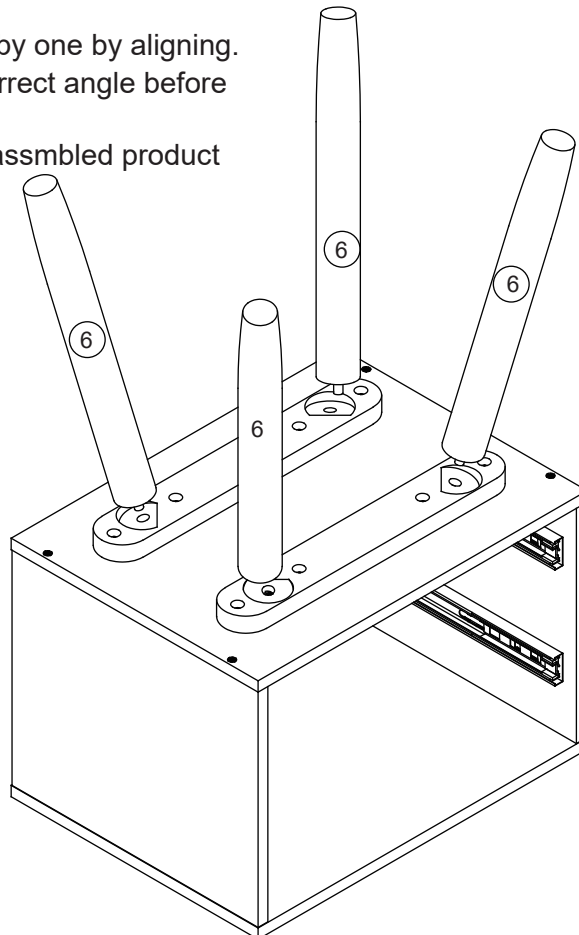
Attach Part (2) to Part (3)(4) by inserting wooden dowel (A) and securing with screw (D).



STEP 4

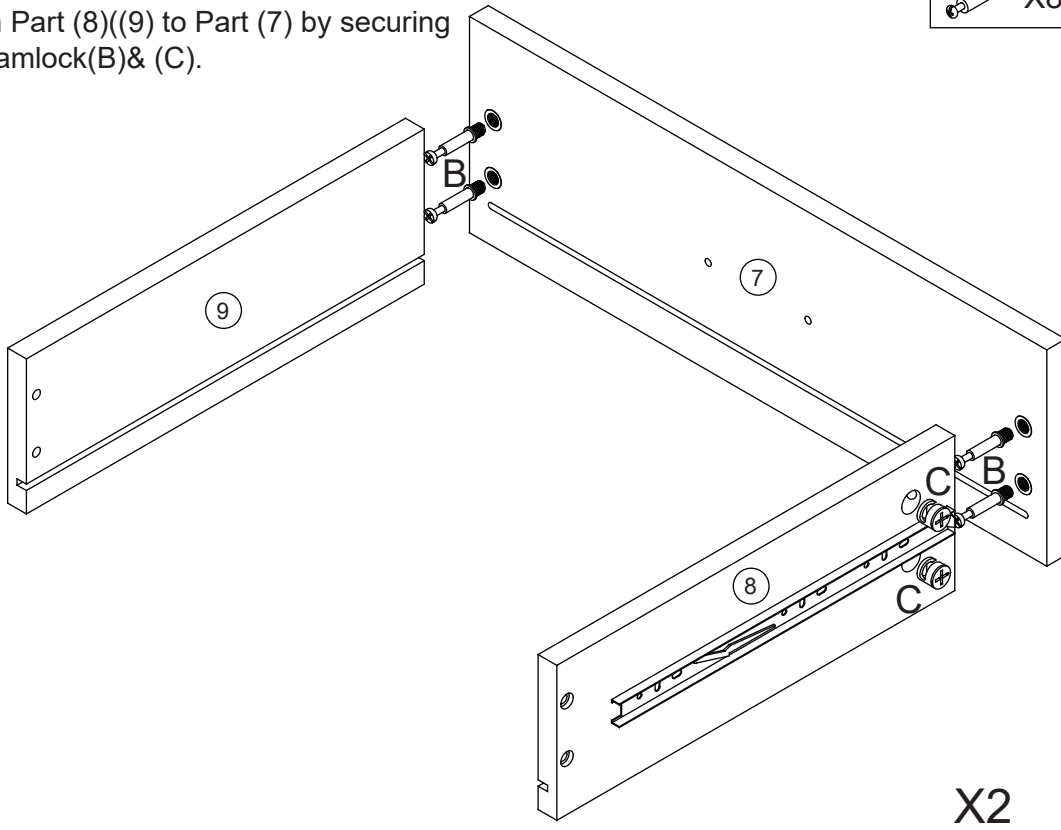
Screw leg (6) to the bottom one by one by aligning. Please ensure legs are at the correct angle before screwing them in.

Tighten each leg before turning assembled product upside down.



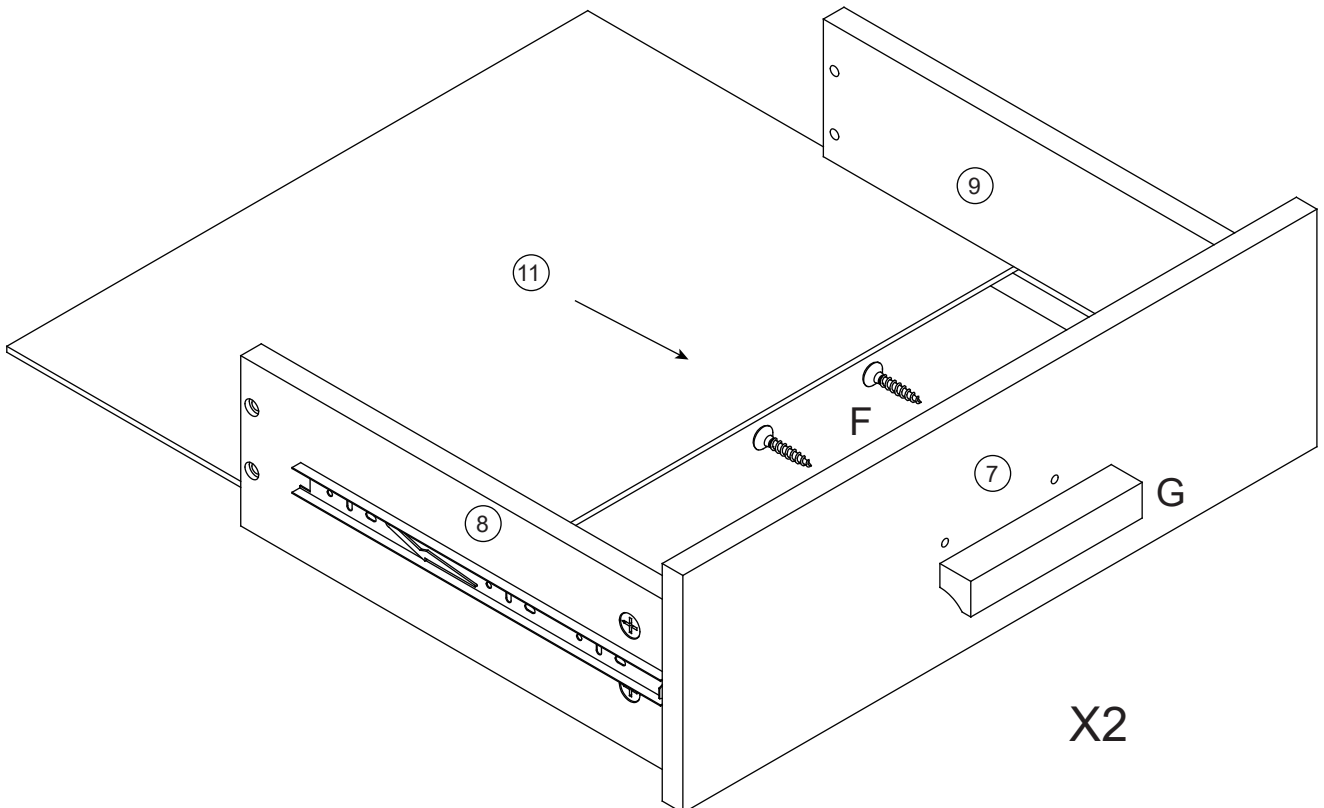
STEP 5

Attach Part (8)((9) to Part (7) by securing with camlock(B)& (C).



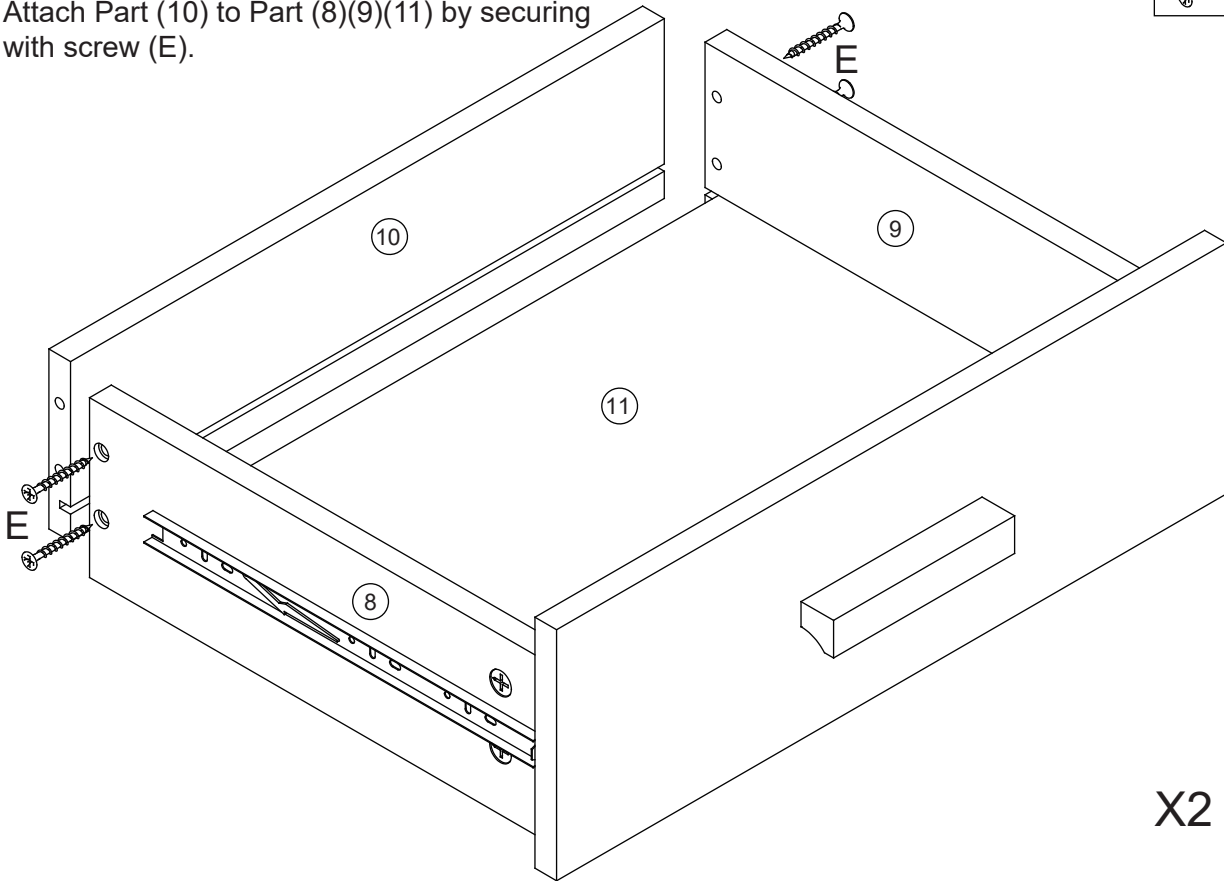
STEP 6

Fix Part (G) to Part (7) with screw (F).
Insert Part (11) to Part (7)(8)((9).



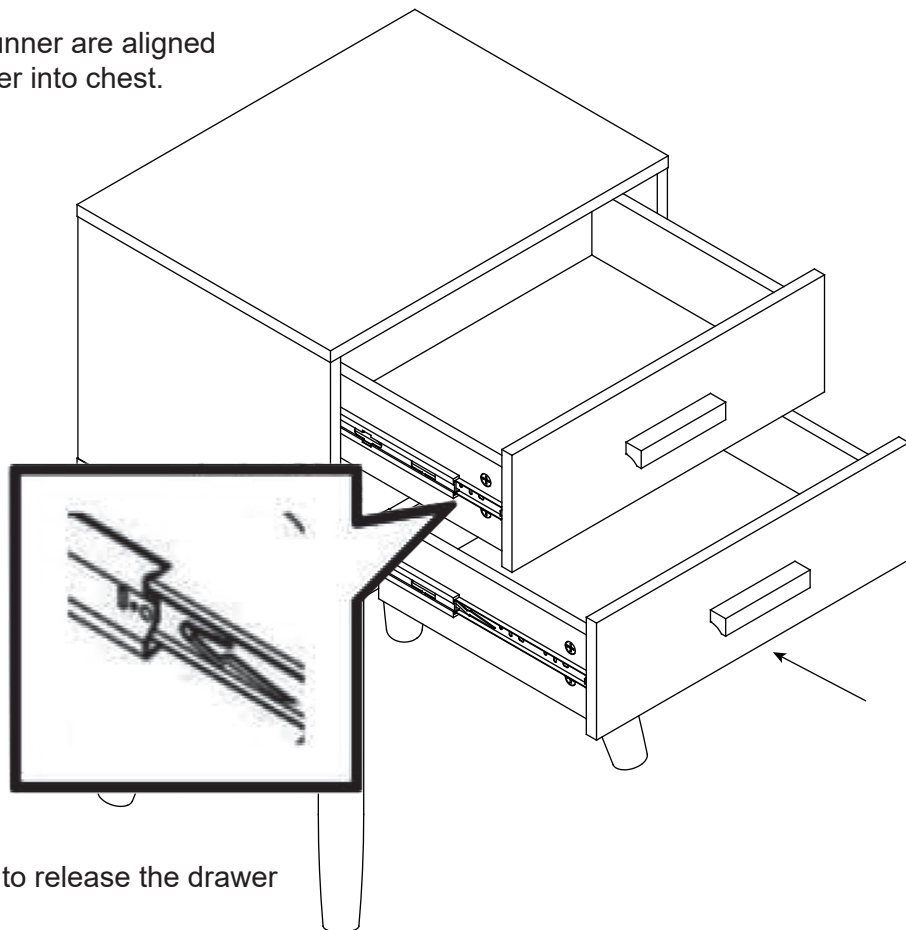
STEP 7

Attach Part (10) to Part (8)(9)(11) by securing with screw (E).



STEP 8

Ensure the drawer runner are aligned before pushing drawer into chest.



Lift / Press the lever to release the drawer