

Assembly Instructions

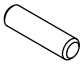
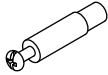
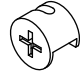


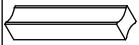




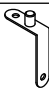


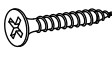
CARE INSTRUCTIONS:

TO BE ASSEMBLED ON A CLEAN, DRY AND SMOOTH SURFACE. WIPE CLEAN WITH A DRY CLOTH. NEVER USE SCOURERS, ABRASIVES OR CHEMICAL SOLVENTS. CHECK AND TIGHTEN ALL PARTS REGULARLY. KEEP AWAY FROM MOISTURE AND DIRECT SUNLIGHT. STORE IN A DRY PLACE. FOR INDOOR USE ONLY.

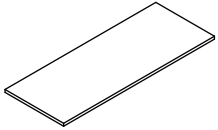

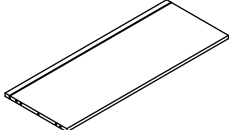

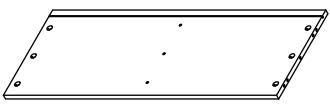
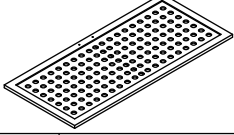
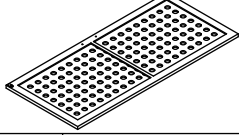
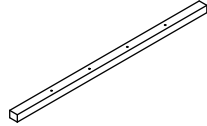
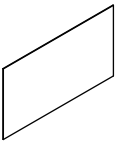

WARNING:

DO NOT STAND, SIT OR LEAN ON THIS UNIT. DO NOT USE THIS UNIT AS A STEP LADDER OR AS A CHOPPING SURFACE. ENSURE THIS UNIT IS USED ONLY ON A FLAT SURFACE. DO NOT USE THIS UNIT UNLESS ALL BOLTS AND SCREWS ARE FIRMLY SECURED. DO NOT PLACE HOT ITEMS SUCH AS COFFEE CUPS DIRECTLY ON THE SURFACE OF THIS FURNITURE ITEM. KEEP AWAY FROM CHILDREN AND BABIES. THIS PACKAGE CONTAINS SMALL PARTS AND SHARP POINTS. ADULT ASSEMBLY REQUIRED. A MILD ODOUR MAY BE PRESENT WHEN FIRST OPENING THIS CARTON. SIMPLY ALLOW TO AIR OUTSIDE AND THIS WILL FADE. **MAXIMUM SAFE LOAD: 20KGS FOR TOP, 10KGS FOR INSIDE SHELF.**

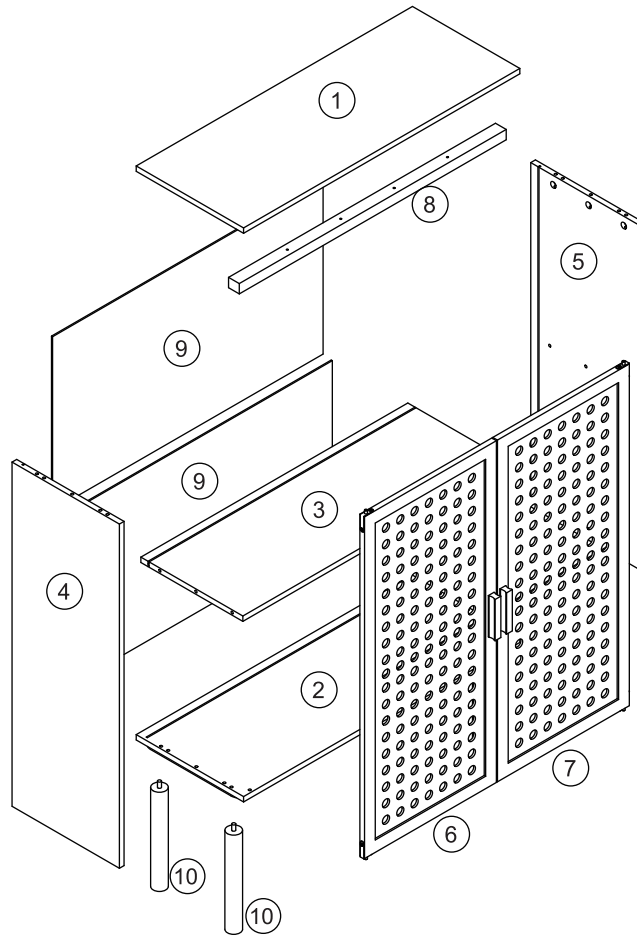
1 Hardware List

	A	6x30mm	10pcs		B		16pcs		C		16pcs
	D	M3x14mm	10pcs		E	M4x30mm	4pcs		F		2pcs
	G		8pcs		H	M3x18mm	8pcs		I		2pcs
	J		4pcs		K		4pcs		L	M4x40mm	4pcs
	M		2pcs		N	M3x40mm	2pcs				

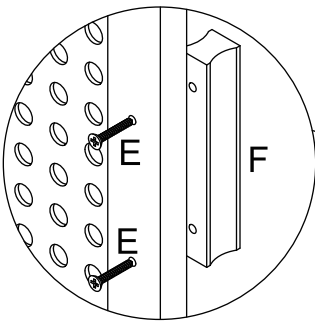
2 Parts List

							
①	1pc	②	1pc	③	1pc	④	1pc
							
⑤	1pc	⑥	1pc	⑦	1pc	⑧	1pc
							
⑨	2pcs	⑩	4pcs				

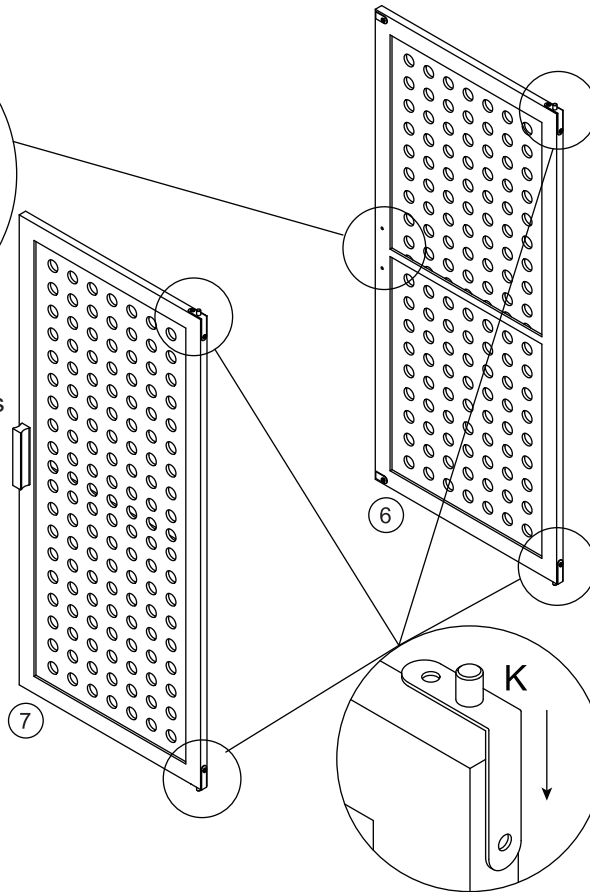
3



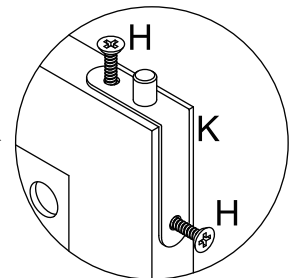
STEP 1



Attach handle (F) to Part (6) & (7) by aligning holes and securing with screw(E).

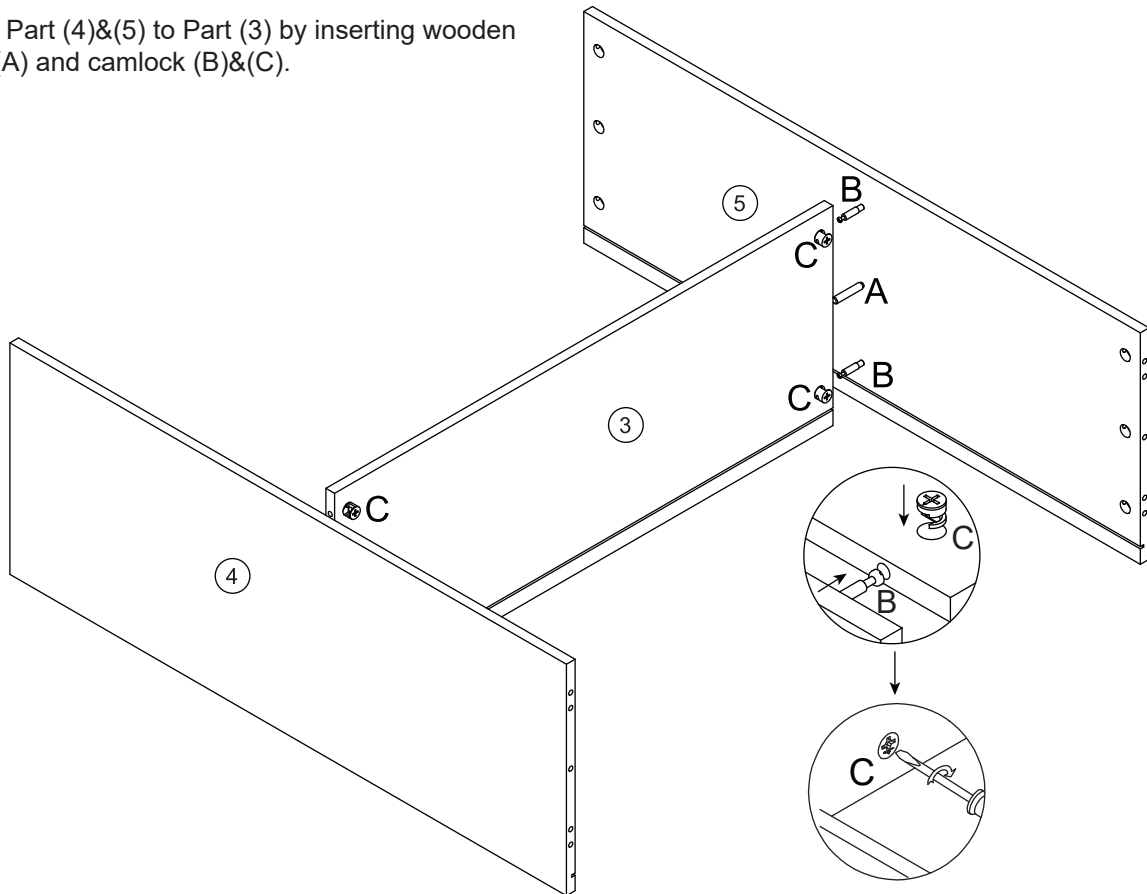


Attach (K) to Part (5) & (6) by securing with screw (H).



STEP 2

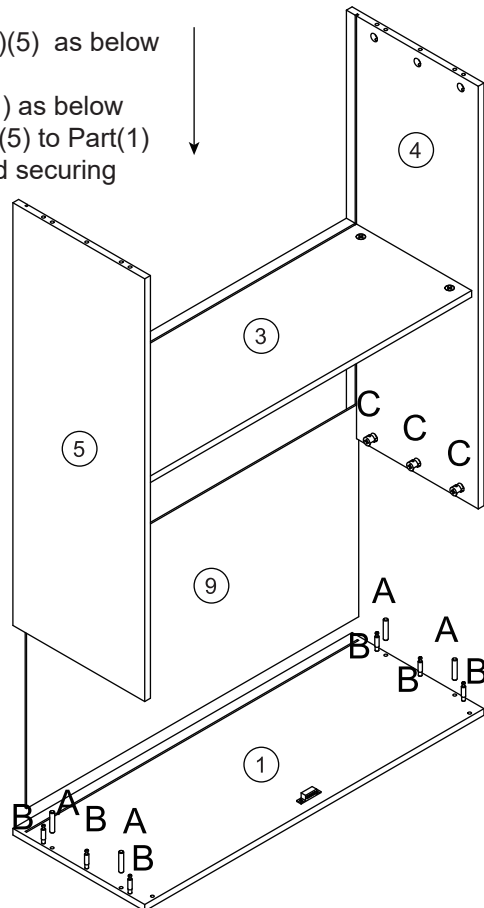
Attach Part (4)&(5) to Part (3) by inserting wooden dowel(A) and camlock (B)&(C).



STEP 3

Firstly, Insert Part(9) to Part (3)(4)(5) as below instruction.

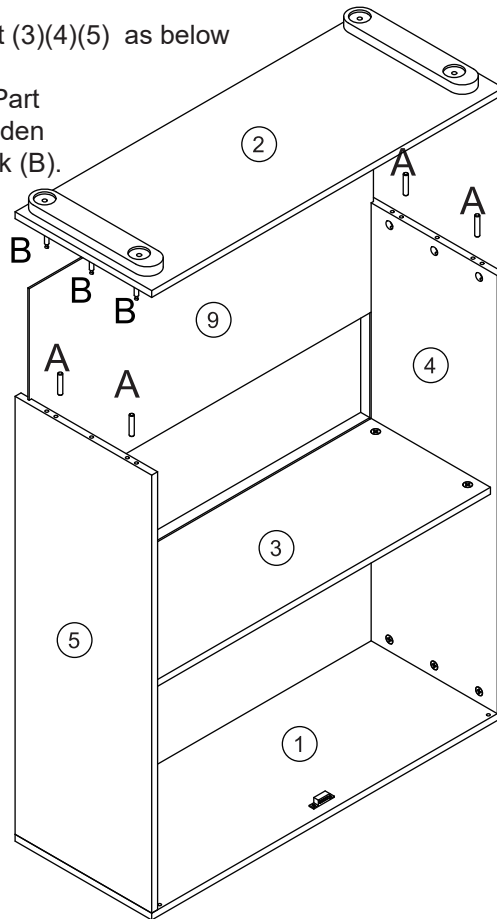
Secondly, Insert Part (9) to Part (1) as below instruction and also attach Part(4)(5) to Part(1) by inserting wooden dowel (A) and securing with camlock (B) & (C).



STEP 4

Firstly, Insert Part(9) to Part (3)(4)(5) as below instruction.

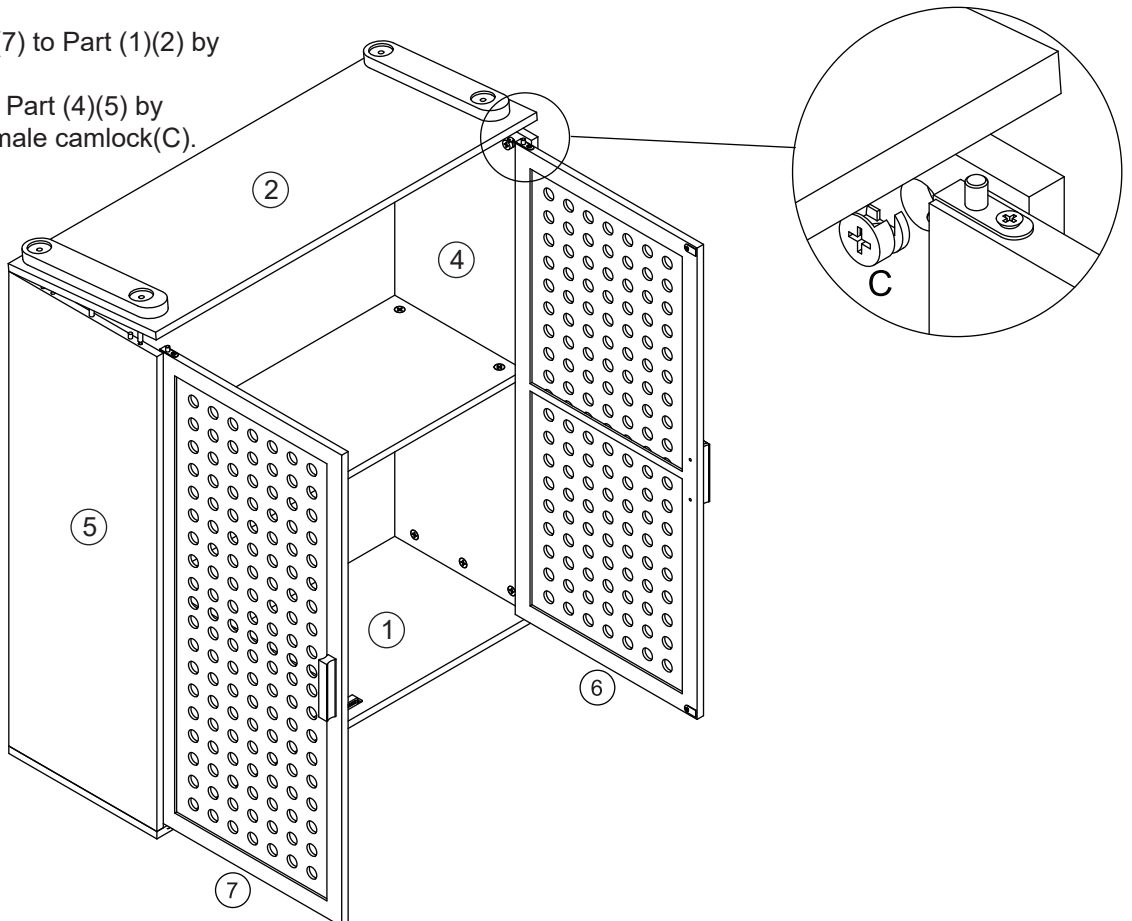
Secondly, attach Part(2) to Part (3)(4)(5)(9) by inserting wooden dowel (A) and male camlock (B).



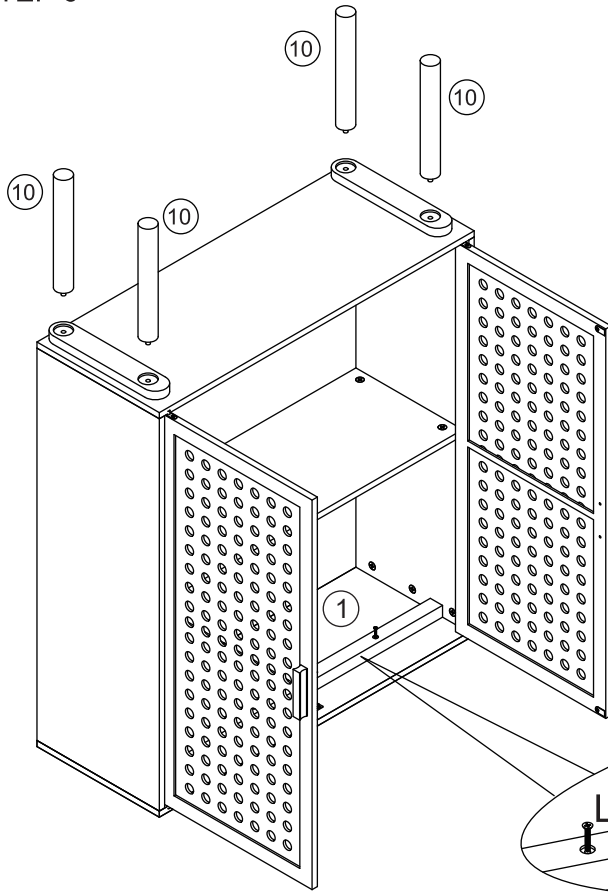
STEP 5

Insert Part (6)&(7) to Part (1)(2) by aligning holes.

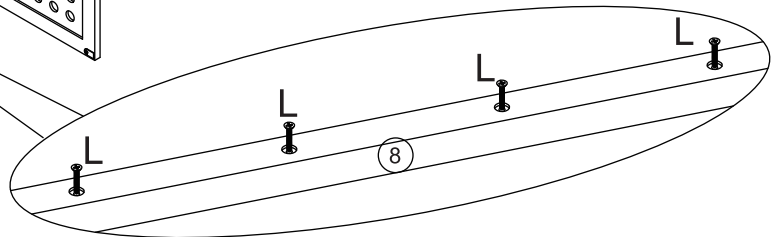
Attach Part (2) to Part (4)(5) by securing with female camlock(C).



STEP 6

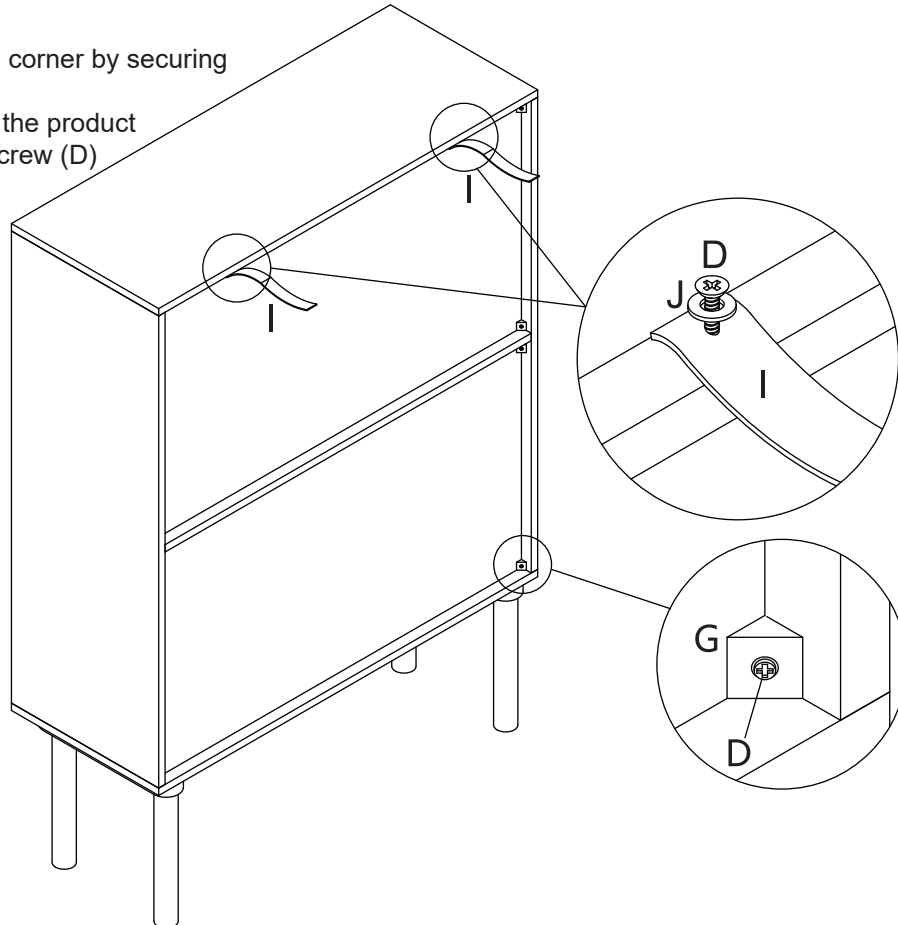


Rotate leg (10) into the bottom one by one by aligning hole.
Tighten each leg before turning assembled product upside down .
Attach Part(8) to Part(1) by securing with screw (L).



STEP 7

Attach (G) to each corner by securing with screw (D).
Fix wall strap (I) to the product by securing with screw (D) and washer (J).

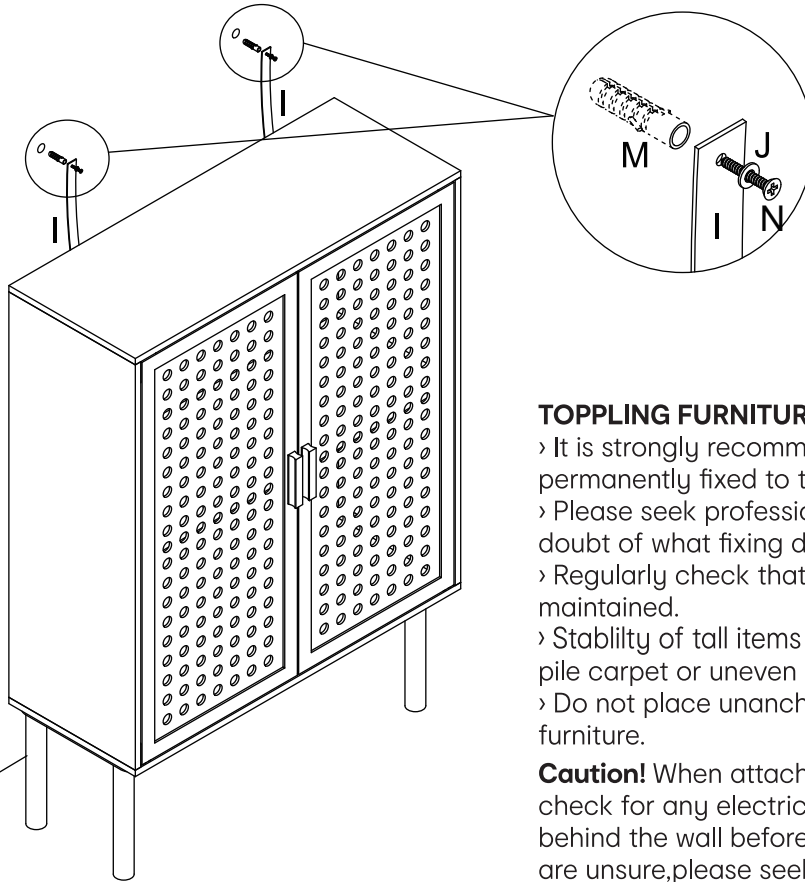


STEP 8

Drill Hole on the wall.

Hammer (M) into the hole on the wall.

Fix wall strap (I) to (M) by securing with screw (N) and washer (J) .



TOPPLING FURNITURE WARNING:

- › It is strongly recommended that this product is permanently fixed to the wall.
- › Please seek professional advice if you are in doubt of what fixing device to use.
- › Regularly check that anchors are securely maintained.
- › Stability of tall items may be affected by thick pile carpet or uneven floors.
- › Do not place unanchored televisions on furniture.

Caution! When attaching the anchor fixings, check for any electrical wires or plumbing behind the wall before drilling any holes (if you are unsure, please seek professional advice from a qualified tradesperson).