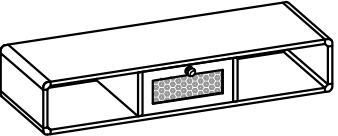
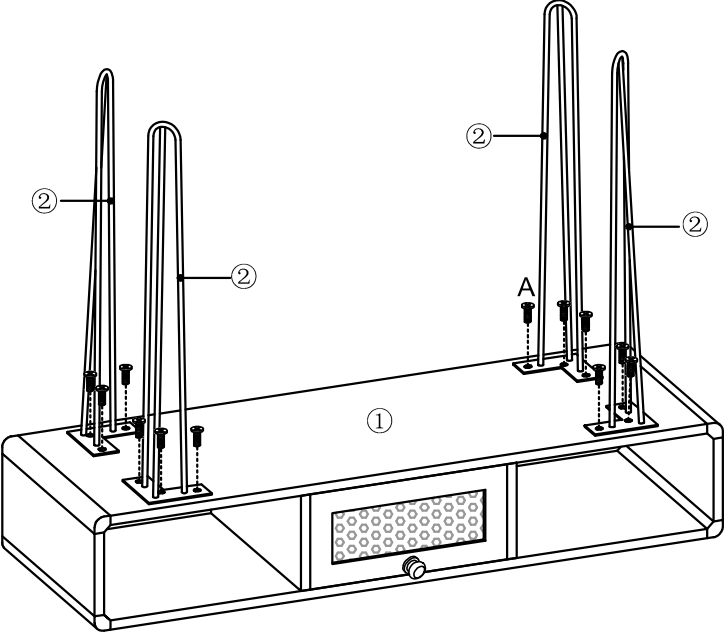
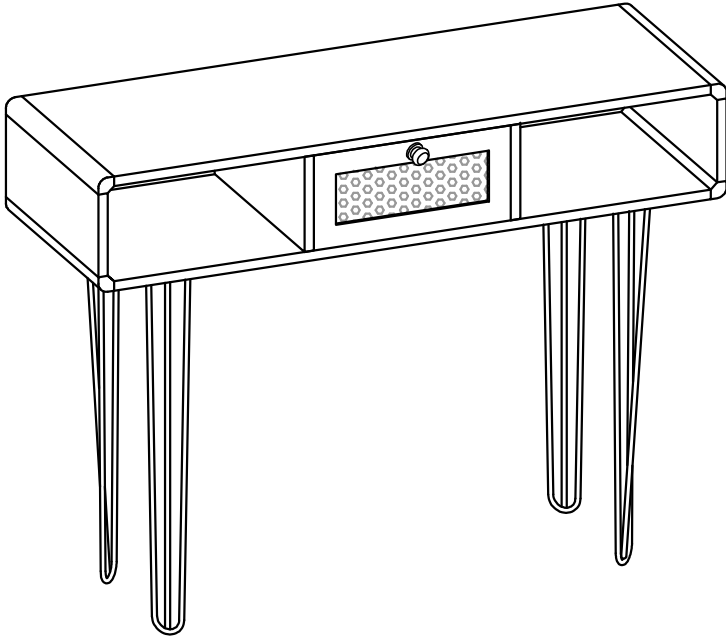
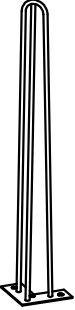
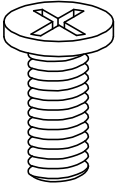


ASSEMBLY INSTRUCTION

ITEM: Metal-Console

NO	PART LIST	QTY	STEP 1	STEP 2	Assembly Complete.
①	 <p>TABLE TOP</p>	1PC	<p>Begin assembly by attaching metal legs (2) to the bottom side of Table Top (1) and screwing 3pcs flat head screws (A) per leg using screw driver.</p> 		
②	 <p>METAL LEGS</p>	4PCS			
NO	HARDWARE LIST	QTY			
A	 <p>FLAT HEAD SCREWS Ø6 X 10 mm</p>	12PCS			