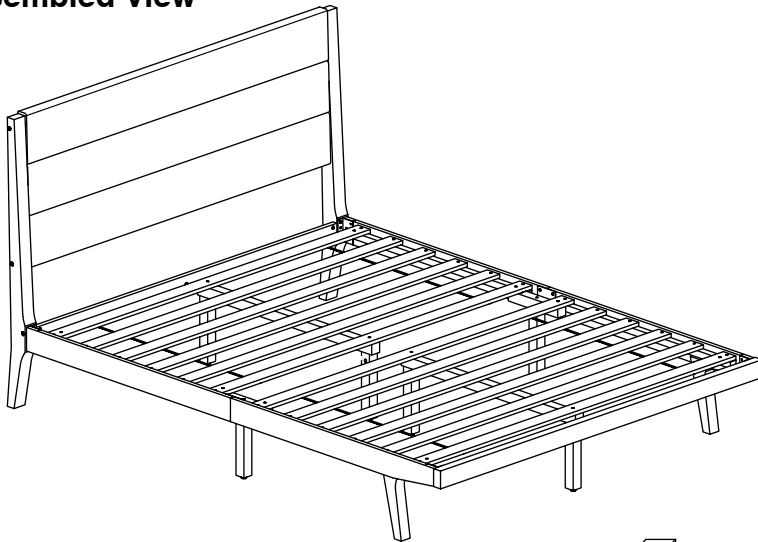


# 0078 S Queen Bed

## Assembly Instructions

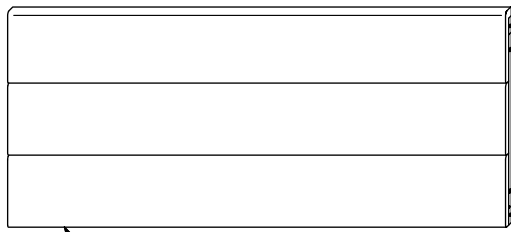
WI-0221

### 1 Assembled View

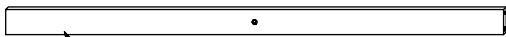


**Note:** Do not assemble using power tools. This can cause the bolts to be overtightened

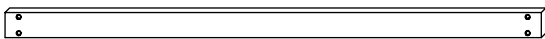
### 2 Parts List



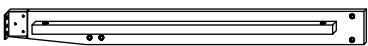
**A** Headboard Panel x 1



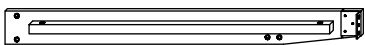
**B** Headboard Support x 1



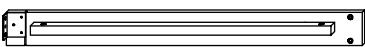
**C** Footboard Panel x 1



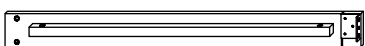
**DL** Side Rail 'A' (Left) x 1



**DR** Side Rail 'A' (Right) x 1



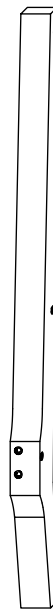
**EL** Side Rail 'B' (Left) x 1



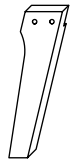
**ER** Side Rail 'B' (Right) x 1



**F** Headboard Post (Left Hand) x 1



**G** Headboard Post (Right Hand) x 1



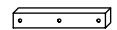
**H** Footboard Post (Left Hand) x 1



**J** Footboard Post (Right Hand) x 1



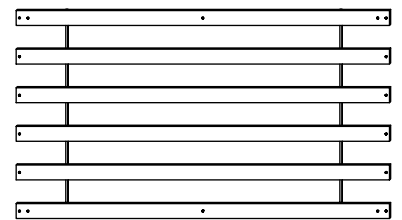
**K** Long Support x 2



**L** Support Bar x 2



**M** Support Leg x 6



**N** Set of Bed Slats x 2

# 0078 S Queen Bed

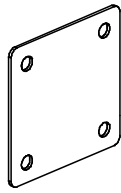
## Assembly Instructions

WI-0221

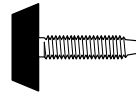
### 3 Hardware List



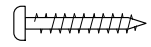
1 Allen Key  
x 1



2 Metal Plate  
x 2



3 Adjustable  
Foot x 6



4 Wood Screw  
(M4 x 32mm) x 16



5 Wood Dowel  
(M10 x 40mm)  
x 6



6 Barrel  
Nut x 12



7 Spring  
Washer  
x 8



8 M6 Flat  
Washer  
x 18



9 M6  
JCN Nut  
x 4



10 M8 Flat  
Washer  
x 4



11 M6 x  
15mm JCB  
x 8



12 M6 x  
20mm JCB  
x 8



13 M6 x  
40mm JCB  
x 12



14 M6 x 50mm JCB  
x 4

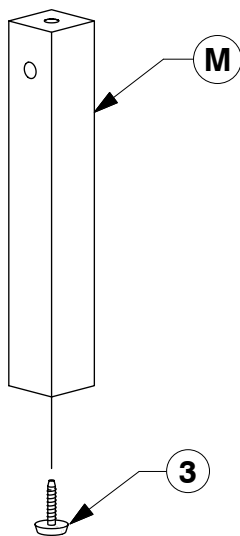


15 M6 x 90mm JCB  
x 2



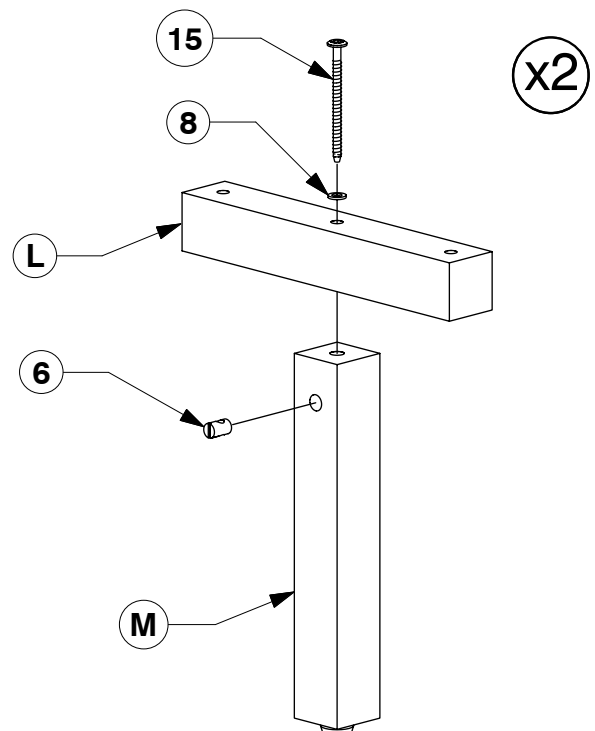
16 M6 x 100mm JCB  
x 10

### 4 Fit the Adjustable foot to the bottom of the Support Leg (M).



### 5 Fit the Support Bar (L) to the Support Leg (M).

x6



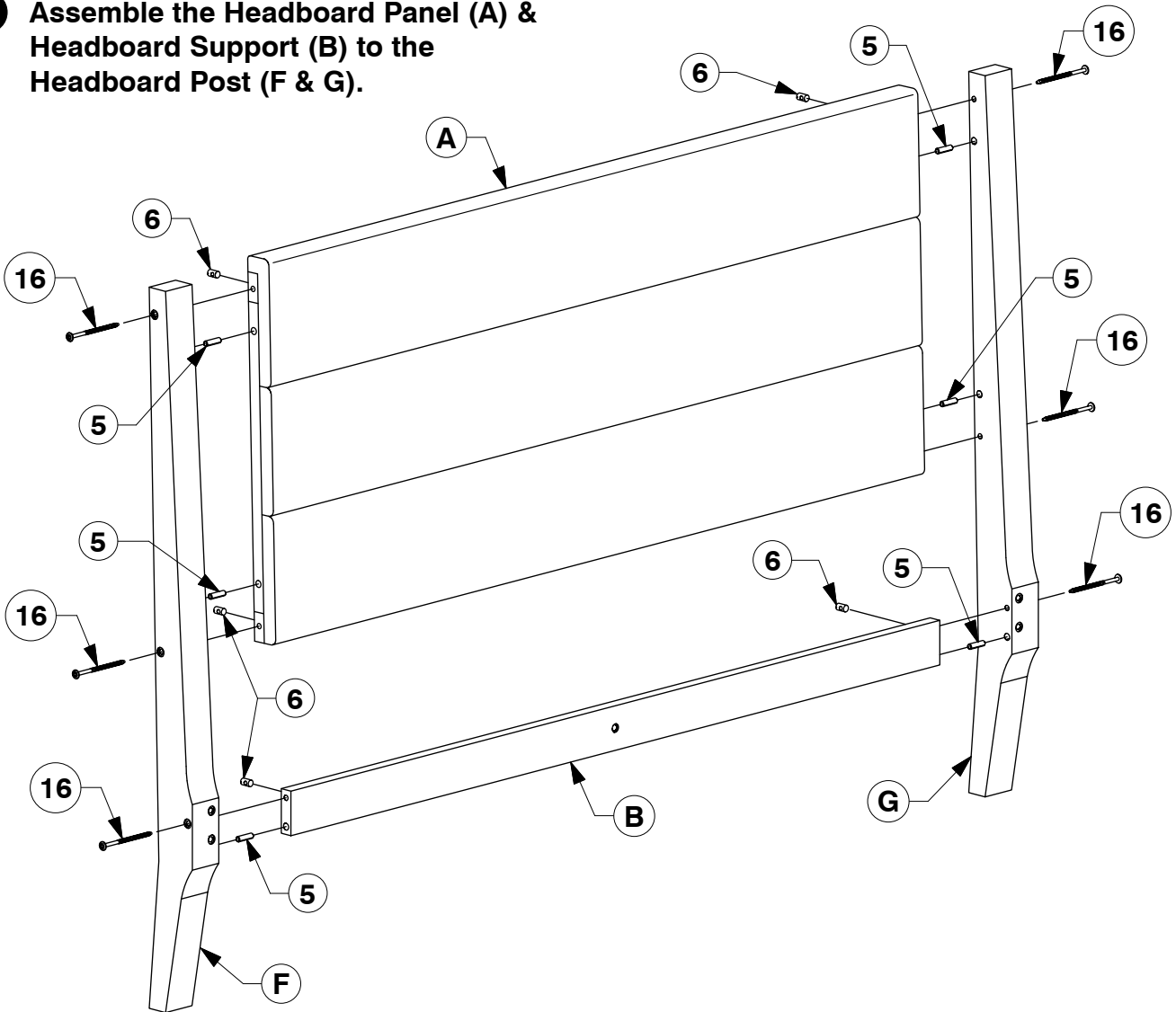
x2

# 0078 S Queen Bed

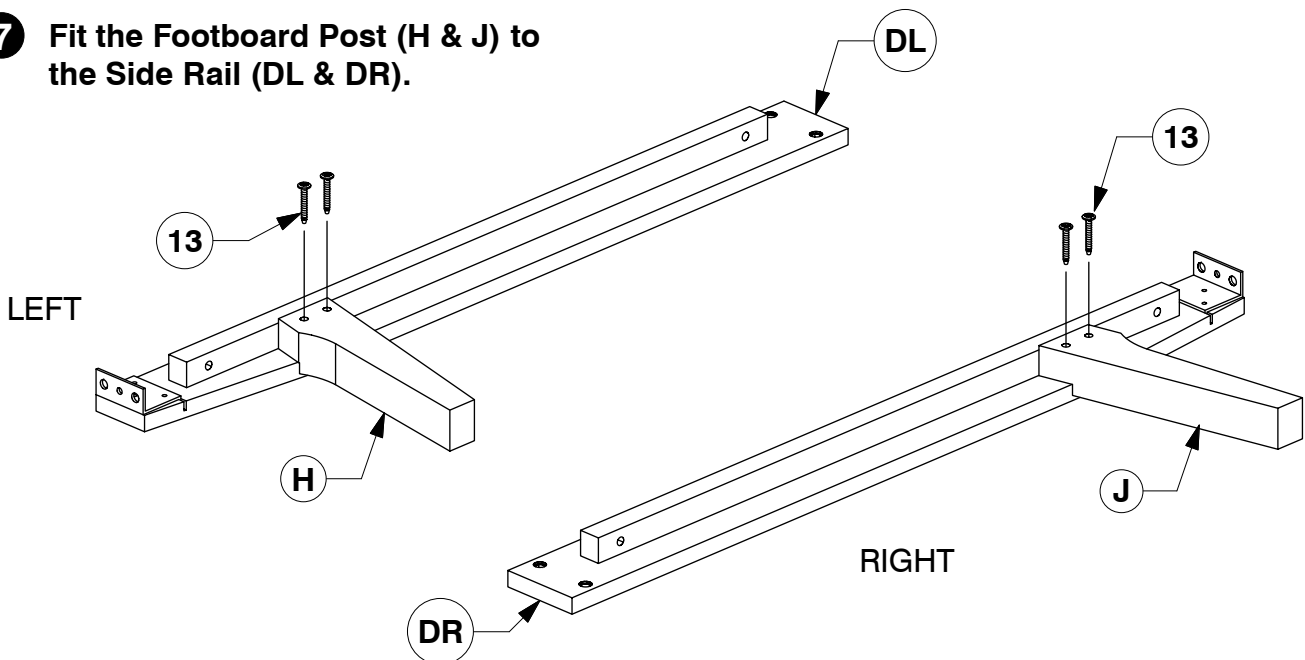
## Assembly Instructions

WI-0221

- 6** Assemble the Headboard Panel (A) & Headboard Support (B) to the Headboard Post (F & G).



- 7** Fit the Footboard Post (H & J) to the Side Rail (DL & DR).

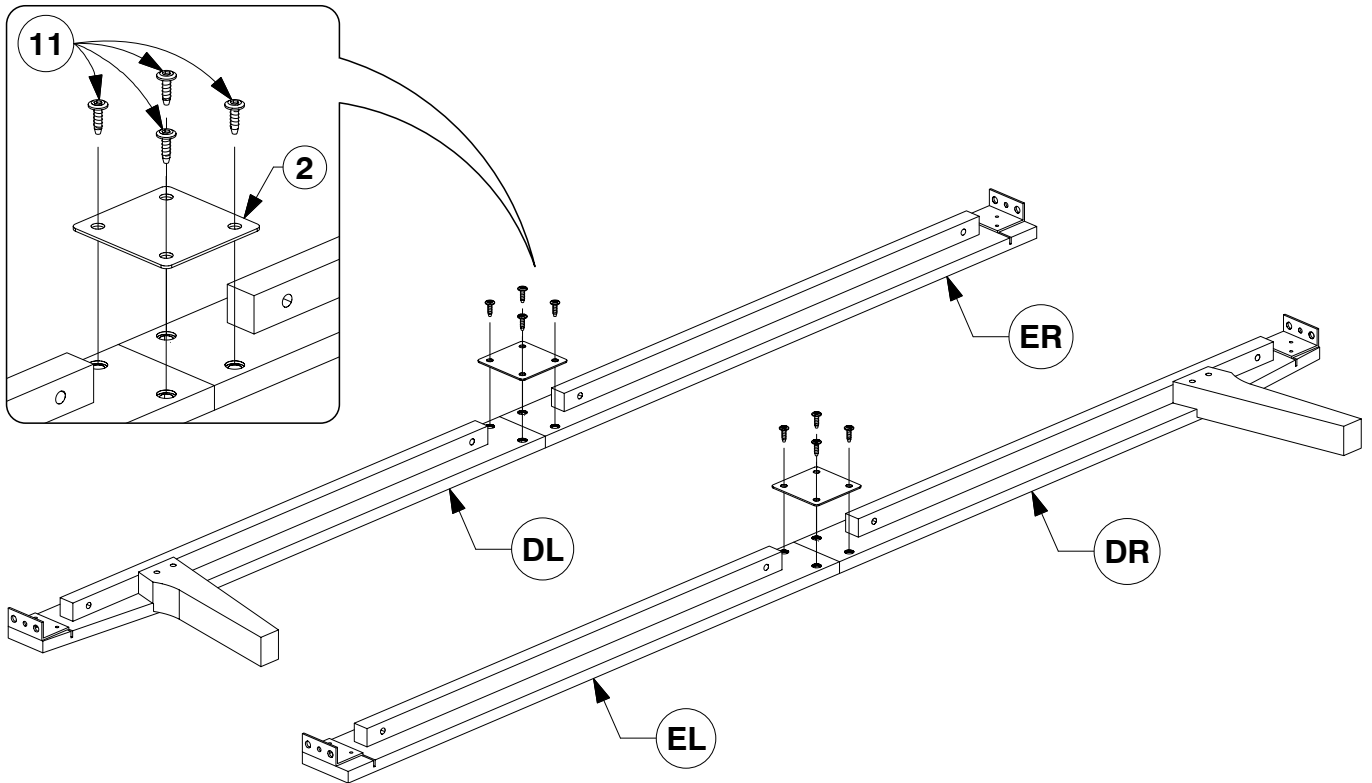


# 0078 S Queen Bed

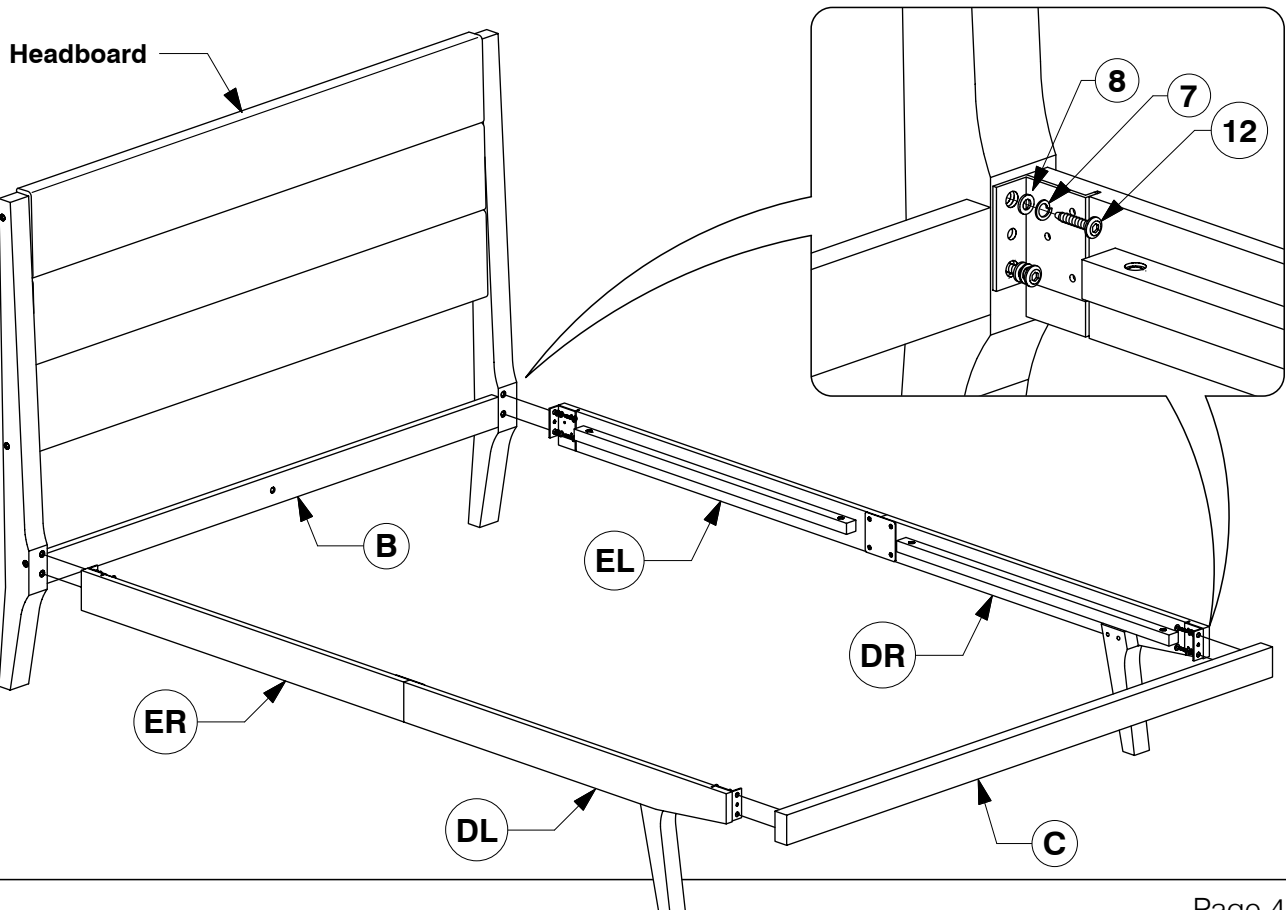
## Assembly Instructions

WI-0221

### 8 Fit the Metal Plate to the Side Rail (DL/R & EL/R).



### 9 Assemble the Side Rail (DL/R & EL/R) to the Headboard & Footboard Panel (C).

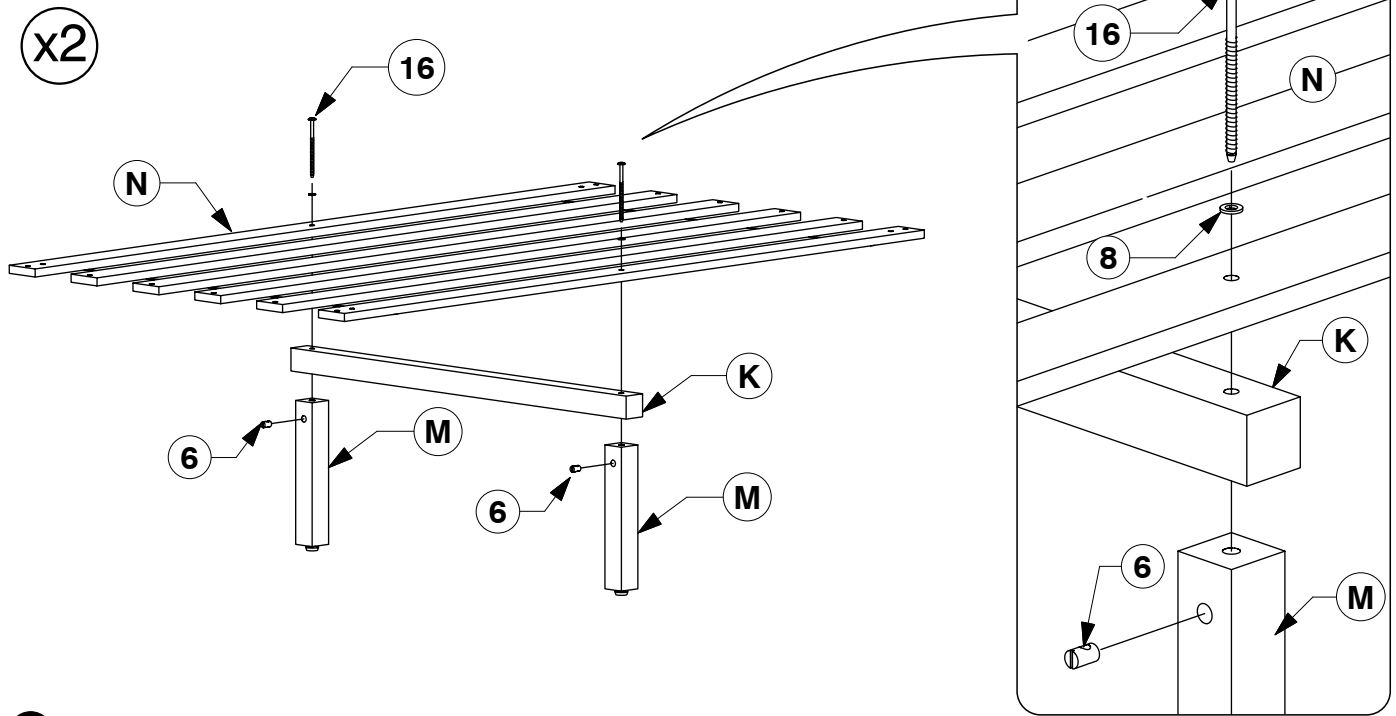


# 0078 S Queen Bed

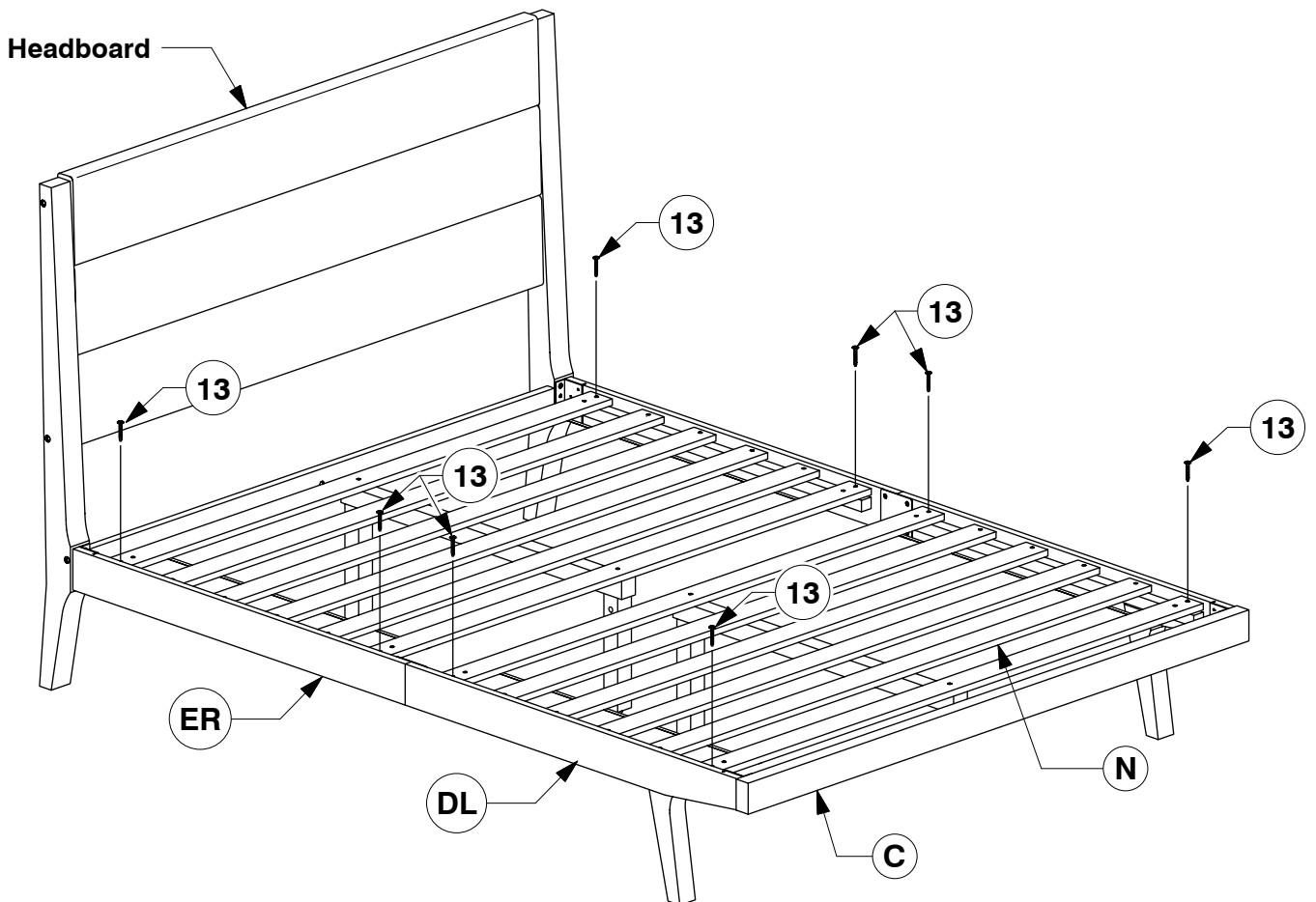
## Assembly Instructions

WI-0221

- 10** Fit the Slats (N) to the Long Support (K) & Support Leg (M).



- 11** Bolt the Bed Slats (N) to the Side Rail (DL/R & EL/R).

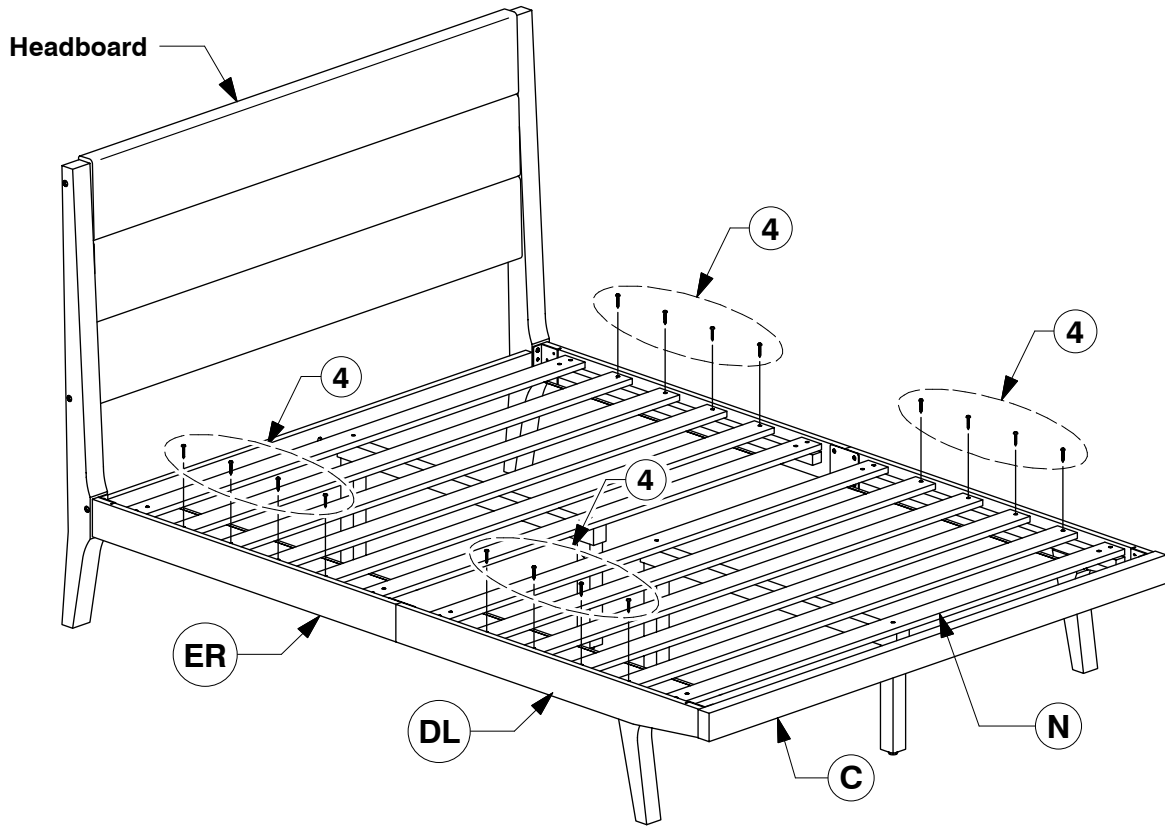


# 0078 S Queen Bed

## Assembly Instructions

WI-0221

- 12** Screw the Bed Slats (N) to the Side Rail (DL/R & EL/R).



- 13** Lastly, fit the Support Bar (L) in place.

