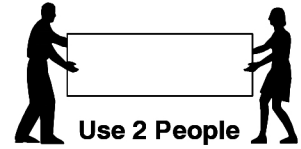
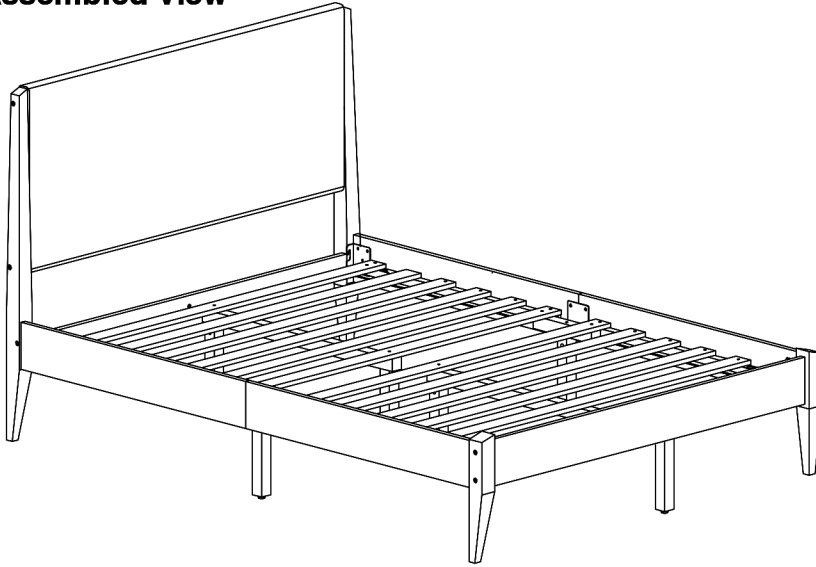


# 0077 S Queen Bed

Assembly Instructions

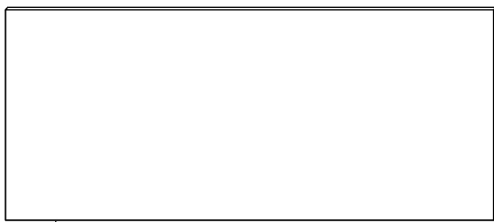
WI-0221

## 1 Assembled View

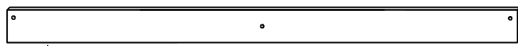


**Note: Do not assemble using power tools. This can cause the bolts to be overtightened**

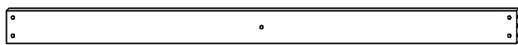
## 2 Parts List



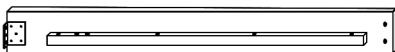
**A** Headboard Panel **x 1**



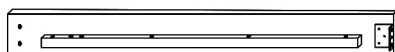
**B** Headboard Support **x 1**



**C** Footboard Panel **x 1**



**D** Side Rail (Left Hand) **x 2**



**E** Side Rail (Right Hand) **x 2**



**F** Headboard Post (Left Hand) **x 1**



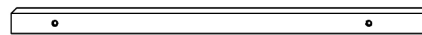
**G** Headboard Post (Right Hand) **x 1**



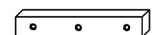
**H** Footboard Post (Left Hand) **x 1**



**J** Footboard Post (Right Hand) **x 1**



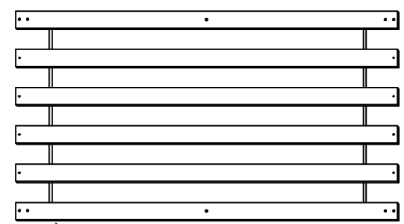
**K** Long Support **x 2**



**L** Support Bar **x 2**



**M** Support Leg **x 6**



**N** Set of Bed Slats **x 2**

# 0077 S Queen Bed

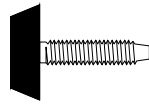
## Assembly Instructions

WI-0221

### 3 Hardware List



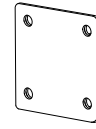
1 Allen Key  
x 1



2 Adjustable  
Foot x 6



3 Barrel Nut  
x 16



4 Metal Plate  
x 2



5 Wood Dowel  
(M10 x 40mm)  
x 8



6 Spring  
Washer  
x 8



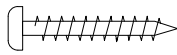
7 M6 Flat  
Washer  
x 18



8 M8 Flat  
Washer  
x 4



9 M6  
JCN Nut  
x 4



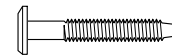
10 Wood Screw  
(M4 x 32mm)  
x 16



11 M6 x  
15mm JCB  
x 8



12 M6 x  
20mm JCB  
x 8



13 M6 x  
40mm JCB  
x 8



14 M6 x 50mm JCB  
x 4

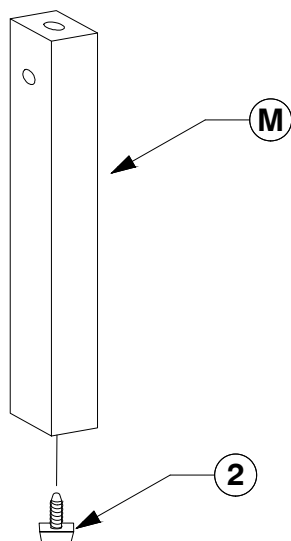


15 M6 x 90mm JCB  
x 2

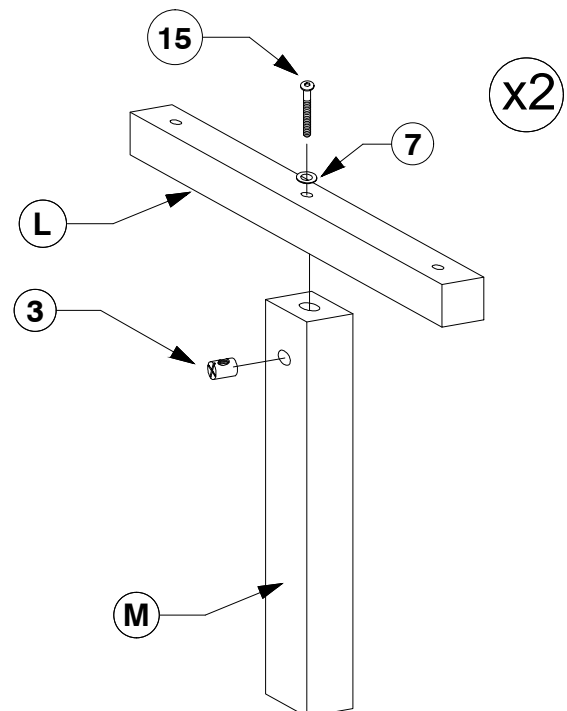


16 M6 x 100mm JCB  
x 14

### 4 Fit the Adjustable foot to the bottom of the Support Leg (M).



### 5 Fit the Support Bar (L) to the Support Leg (M).

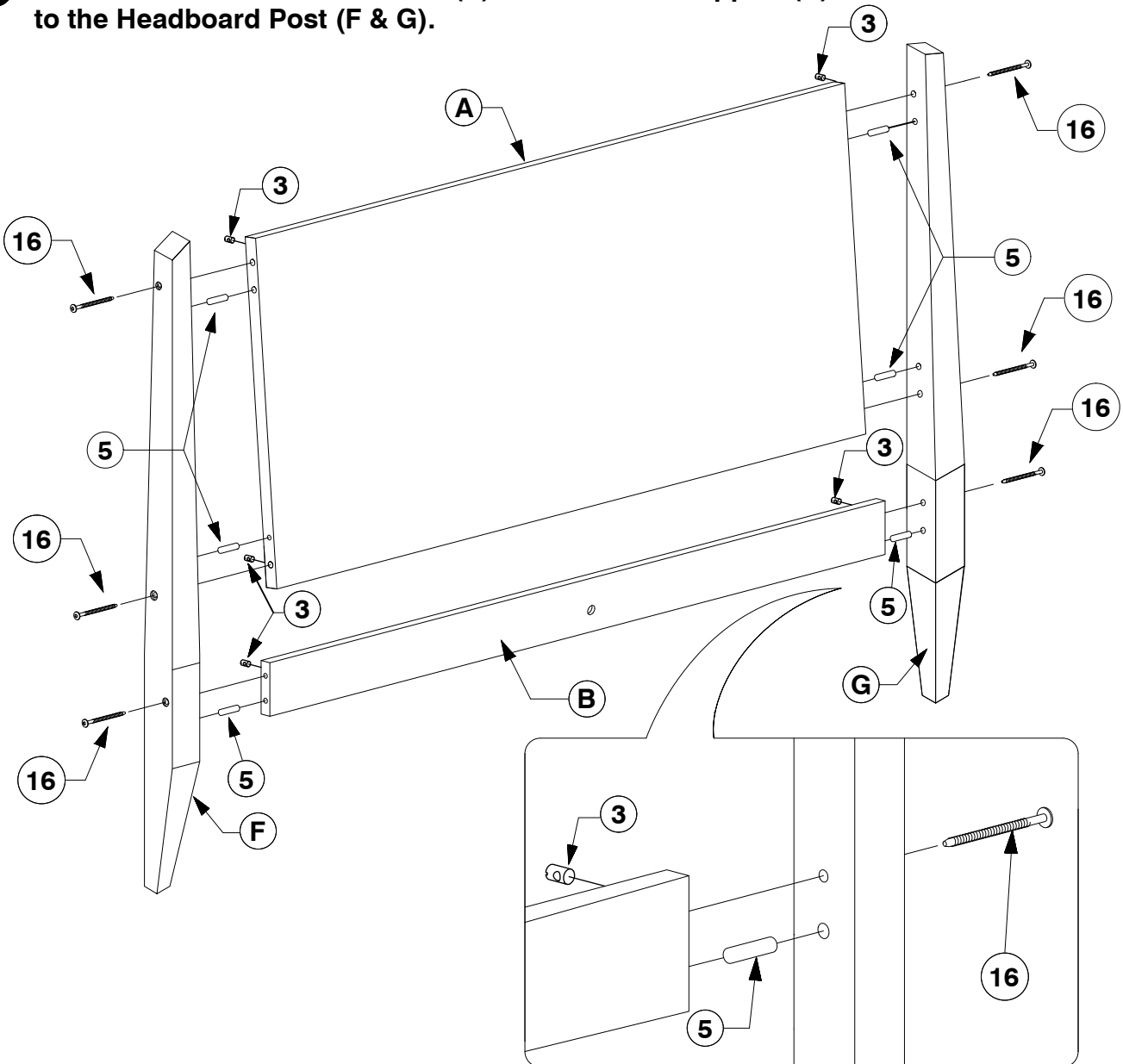


# 0077 S Queen Bed

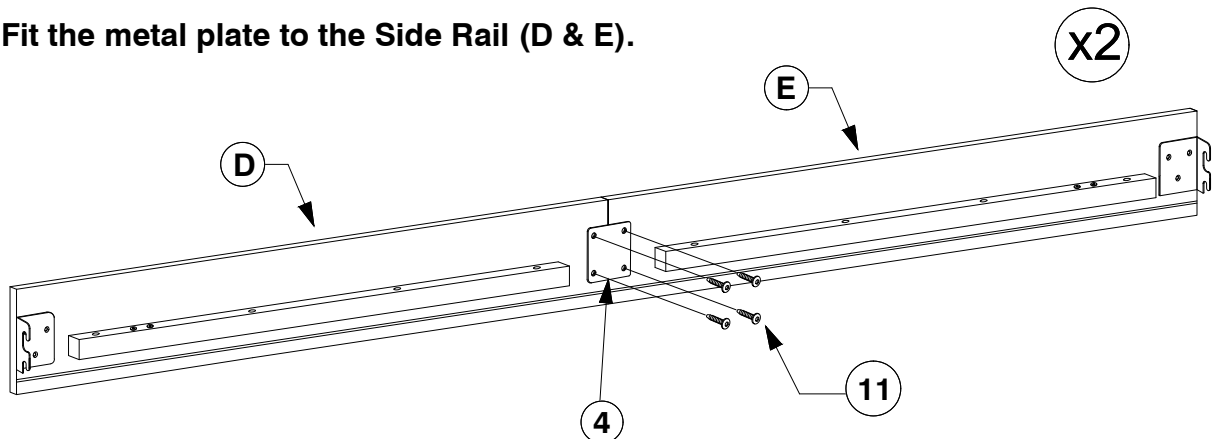
Assembly Instructions

WI-0221

- 6 Assemble the Headboard Panel (A) & Headboard Support (B) to the Headboard Post (F & G).**



- 7 Fit the metal plate to the Side Rail (D & E).**

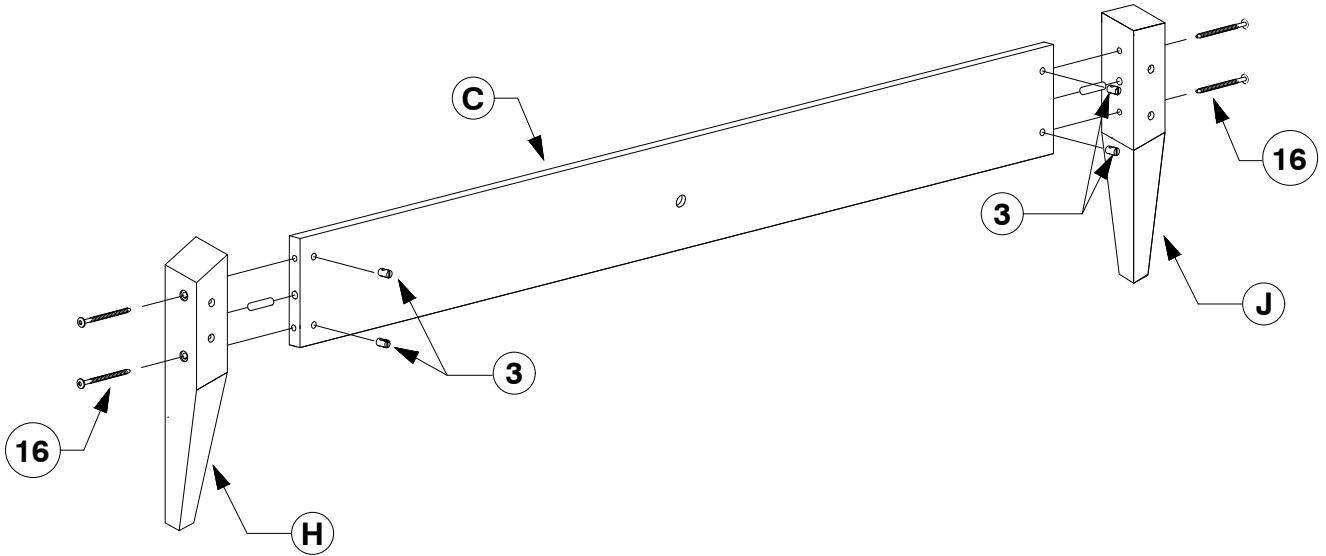


# 0077 S Queen Bed

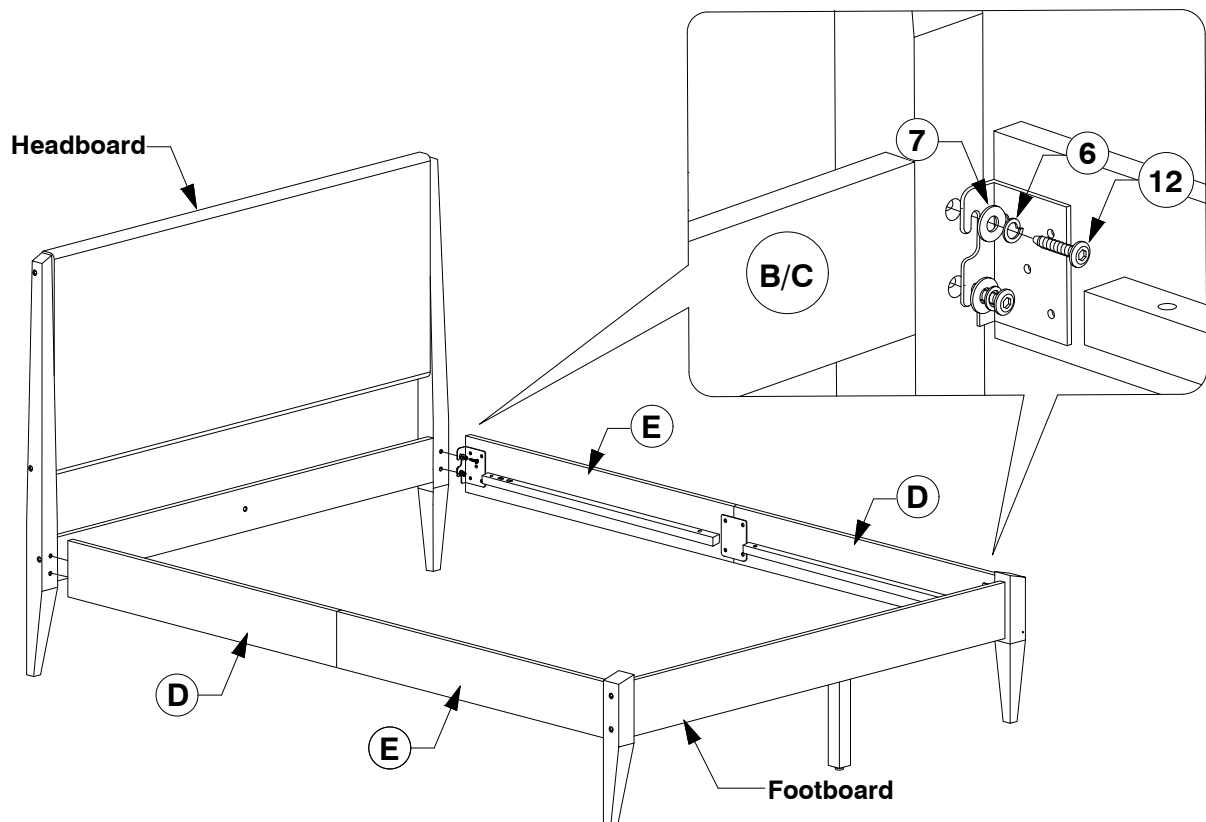
Assembly Instructions

WI-0221

## 8 Assembly the Footboard Post (H & J) to the Footboard Panel (C).



## 9 Assemble the Side Rail (D & E) to the Headboard & Footboard.

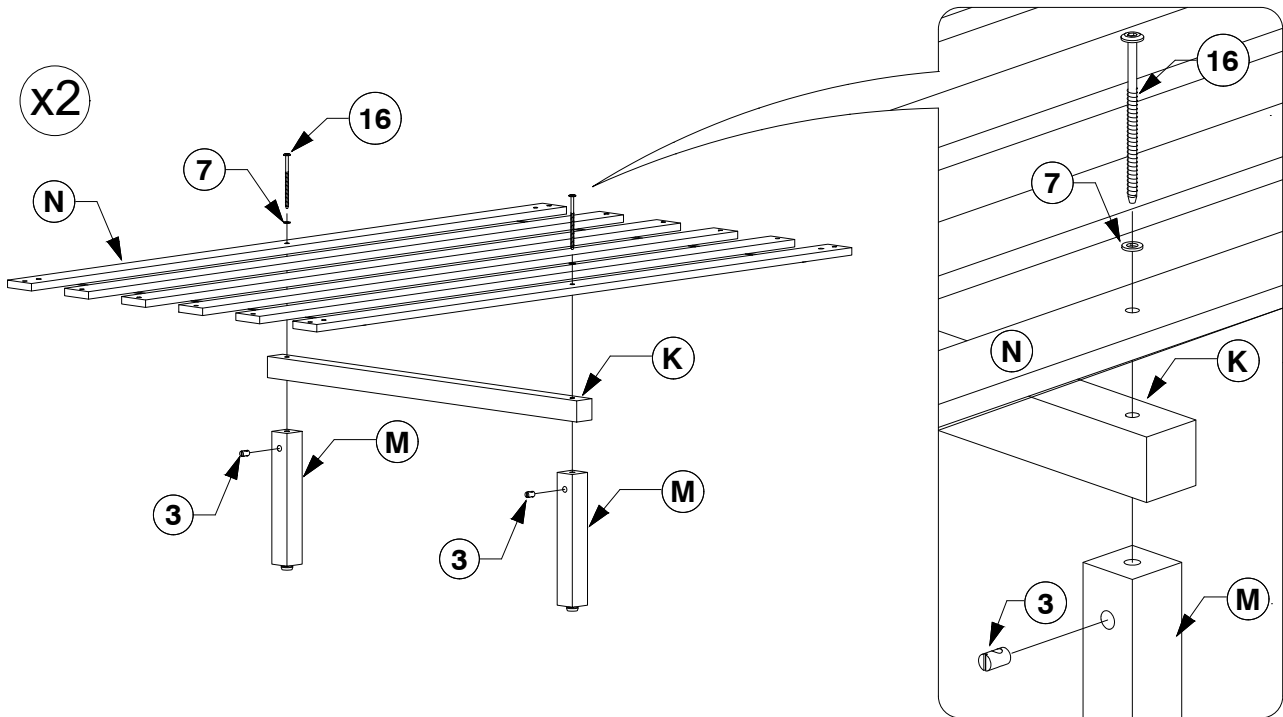


# 0077 S Queen Bed

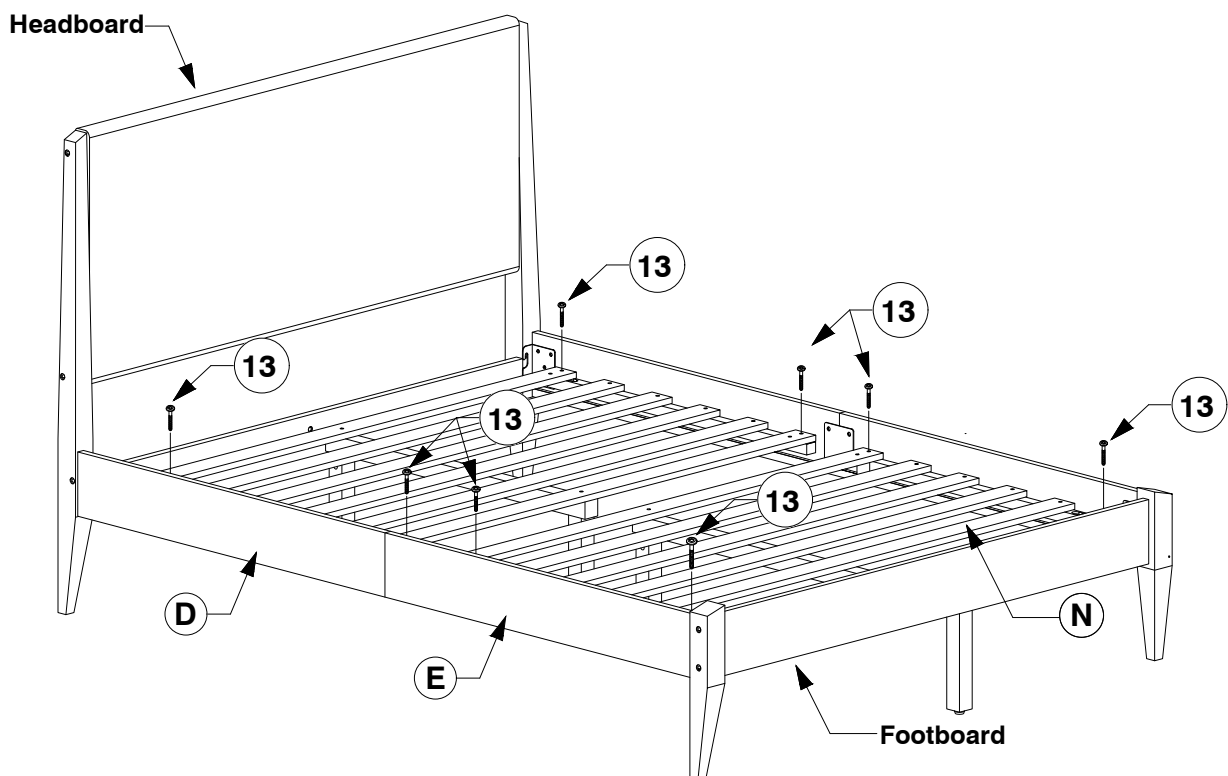
Assembly Instructions

WI-0221

- 10** Fix the Slats (N) to the Long Support (K) & Support Leg (M).



- 11** Bolt the Bed Slat (N) to the Side Rail (D & E).

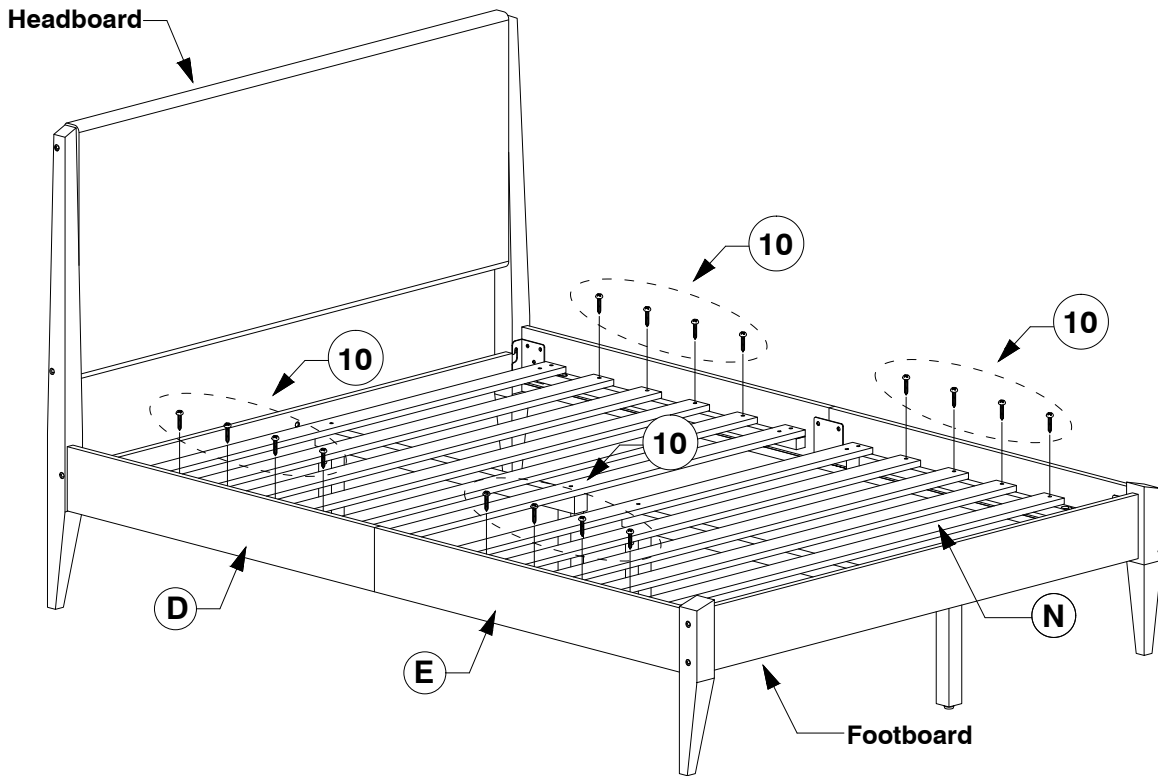


# 0077 S Queen Bed

Assembly Instructions

WI-0221

## 12 Screw the Bed Slat (N) to the Side Rail (D & E).



## 13 Lastly, fit the Support Bar (L) in place.

