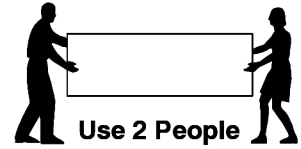
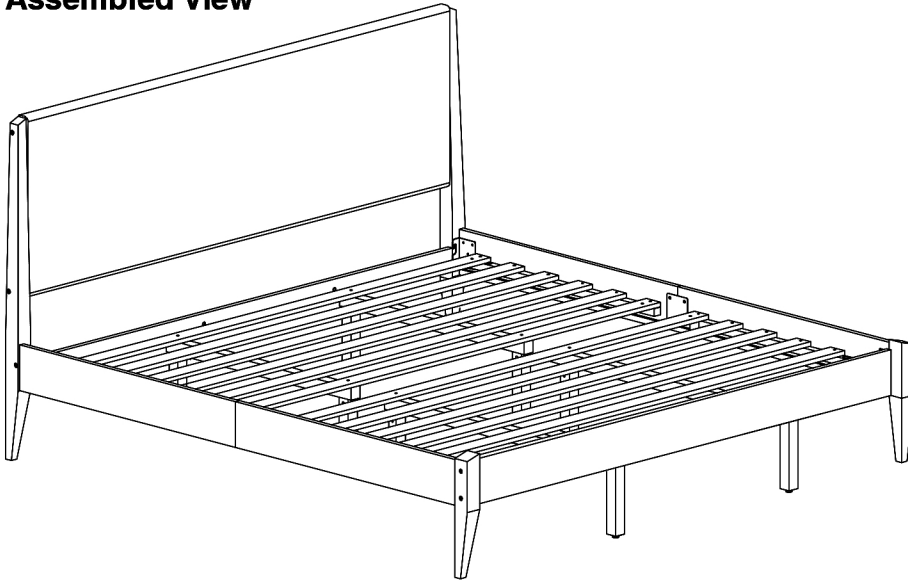


0077 S King Bed

Assembly Instructions

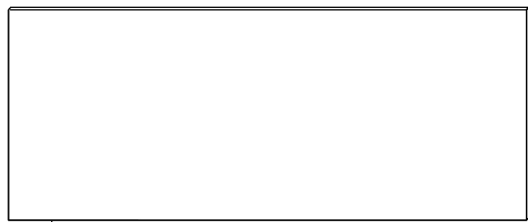
WI-0221

1 Assembled View

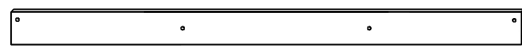


Note: Do not assemble using power tools. This can cause the bolts to be overtightened

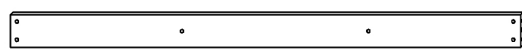
2 Parts List



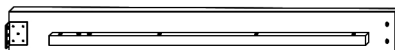
A Headboard Panel x 1



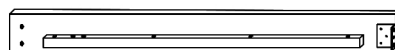
B Headboard Support x 1



C Footboard Panel x 1



D Side Rail (Left Hand) x 2



E Side Rail (Right Hand) x 2



F Headboard Post (Left Hand) x 1



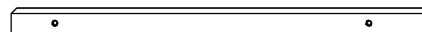
G Headboard Post (Right Hand) x 1



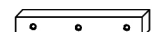
H Footboard Post (Left Hand) x 1



J Footboard Post (Right Hand) x 1



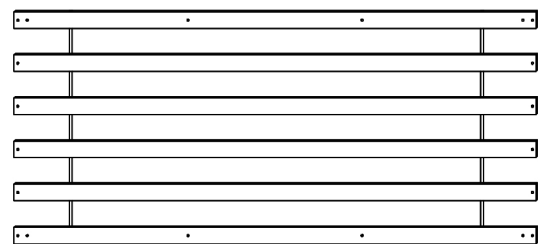
K Long Support x 4



L Support Bar x 2



M Support Leg x 10



N Set of Bed Slats x 2

0077 S King Bed

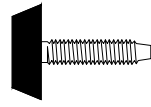
Assembly Instructions

WI-0221

3 Hardware List



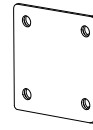
1 Allen Key
x 1



2 Adjustable Foot
x 10



3 Barrel Nut
x 20



4 Metal Plate
x 2



5 Wood Dowel
(M10 x 40mm)
x 8



6 Spring Washer
x 8



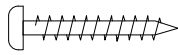
7 M6 Flat Washer
x 22



8 M8 Flat Washer
x 4



9 M6 JCN Nut
x 4



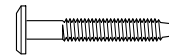
10 Wood Screw
(M4 x 32mm)
x 16



11 M6 x
15mm JCB
x 8



12 M6 x
20mm JCB
x 8



13 M6 x
40mm JCB
x 8



14 M6 x 50mm JCB
x 4

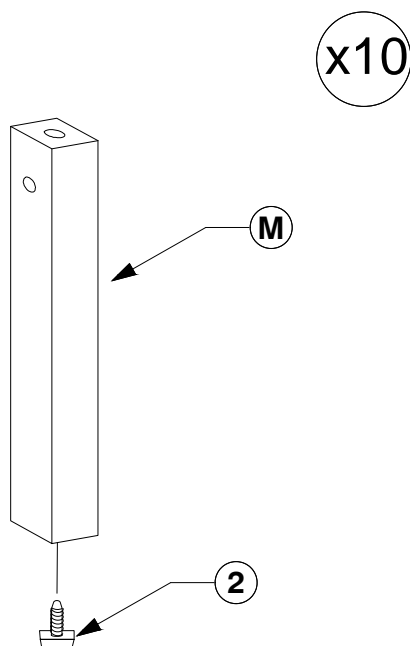


15 M6 x 90mm JCB
x 2

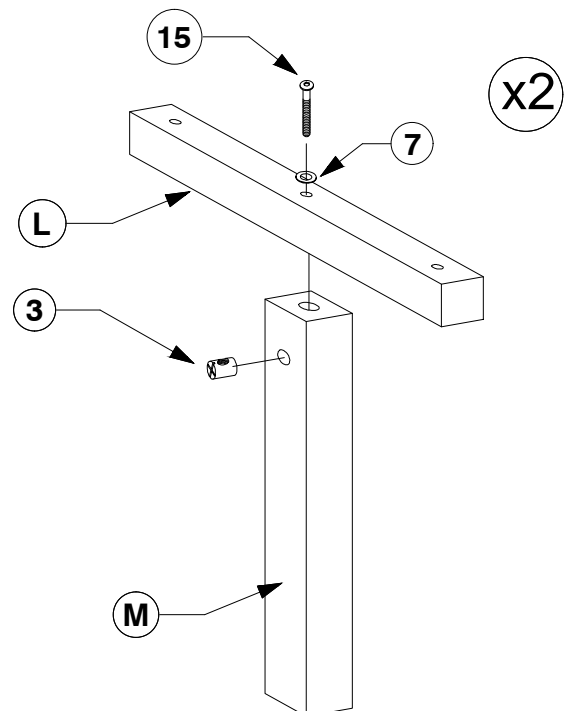


16 M6 x 100mm JCB
x 18

4 Fit the Adjustable foot to the bottom of the Support Leg (M).



5 Fit the Support Bar (L) to the Support Leg (M).

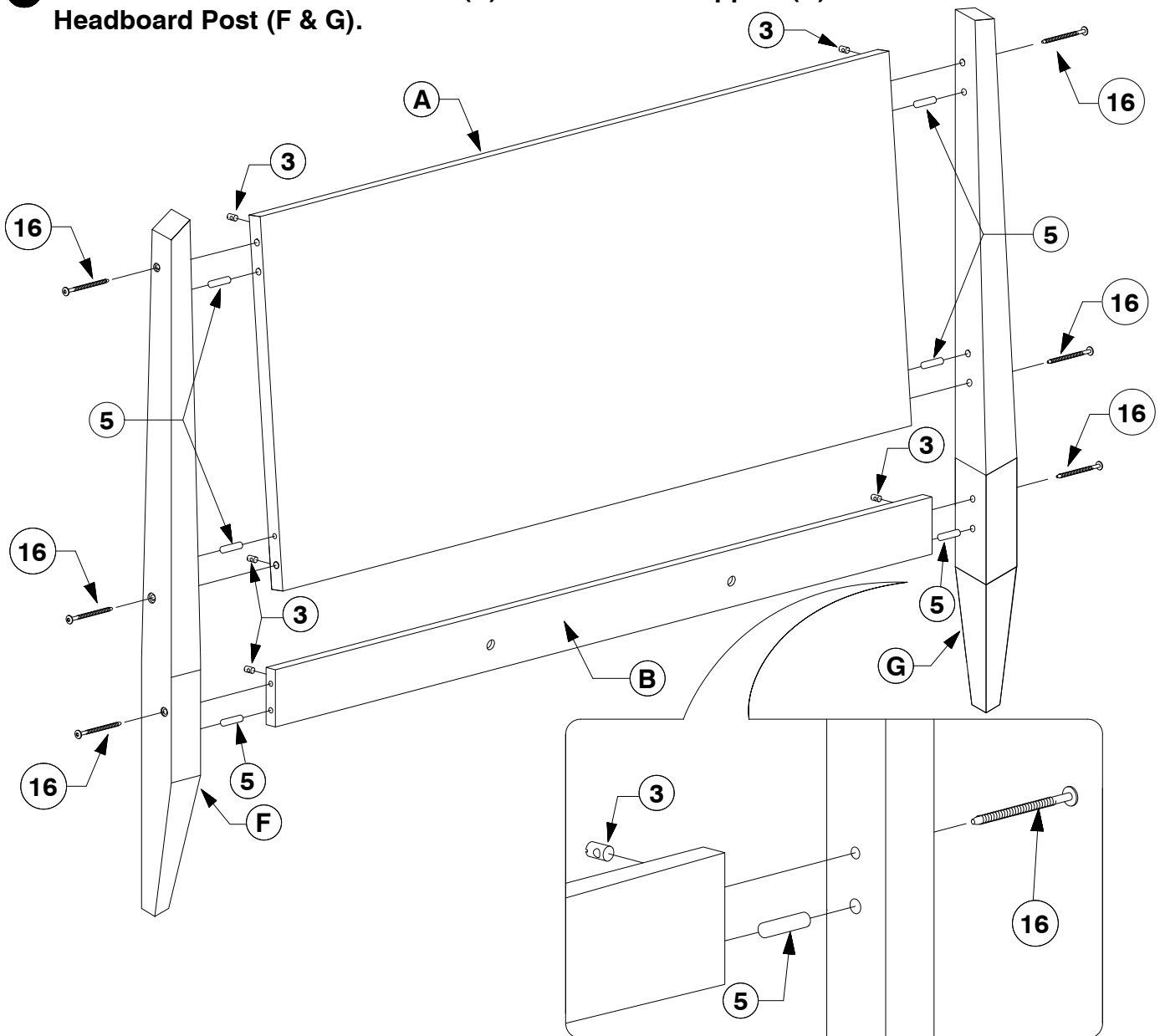


0077 S King Bed

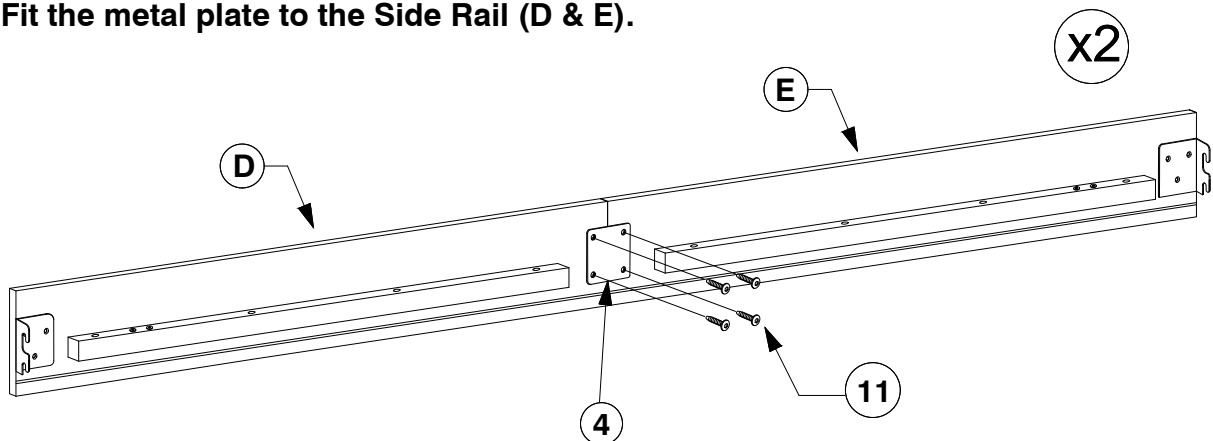
Assembly Instructions

WI-0221

6 Assemble the Headboard Panel (A) & Headboard Support (B) to the Headboard Post (F & G).



7 Fit the metal plate to the Side Rail (D & E).

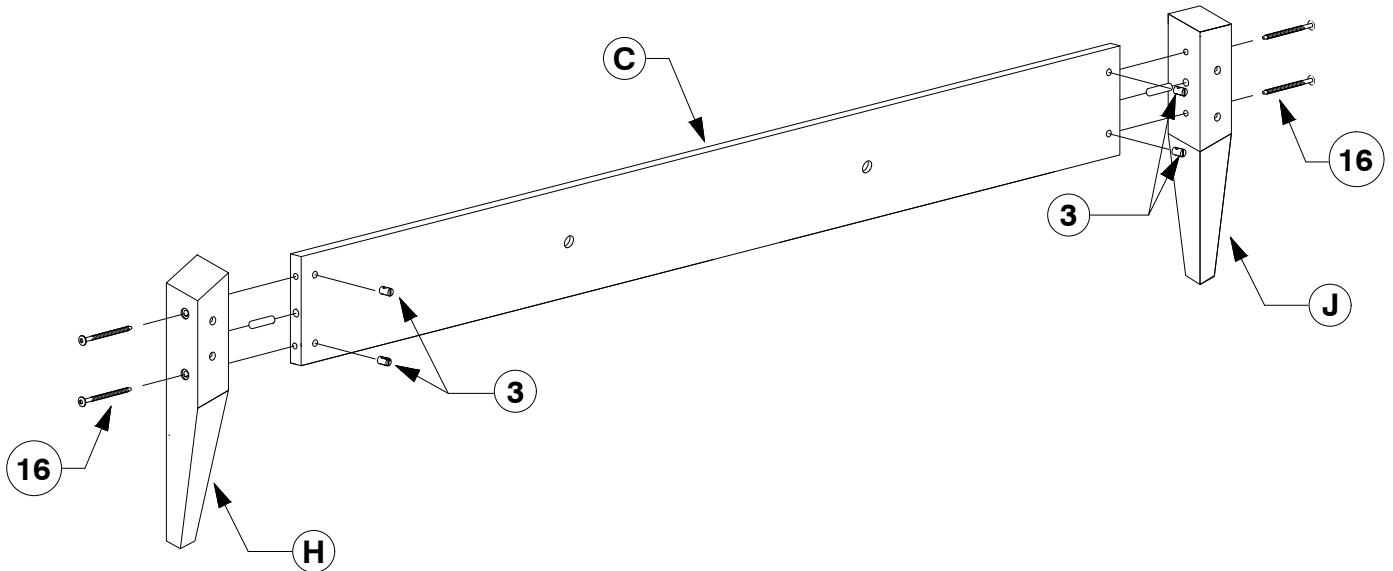


0077 S King Bed

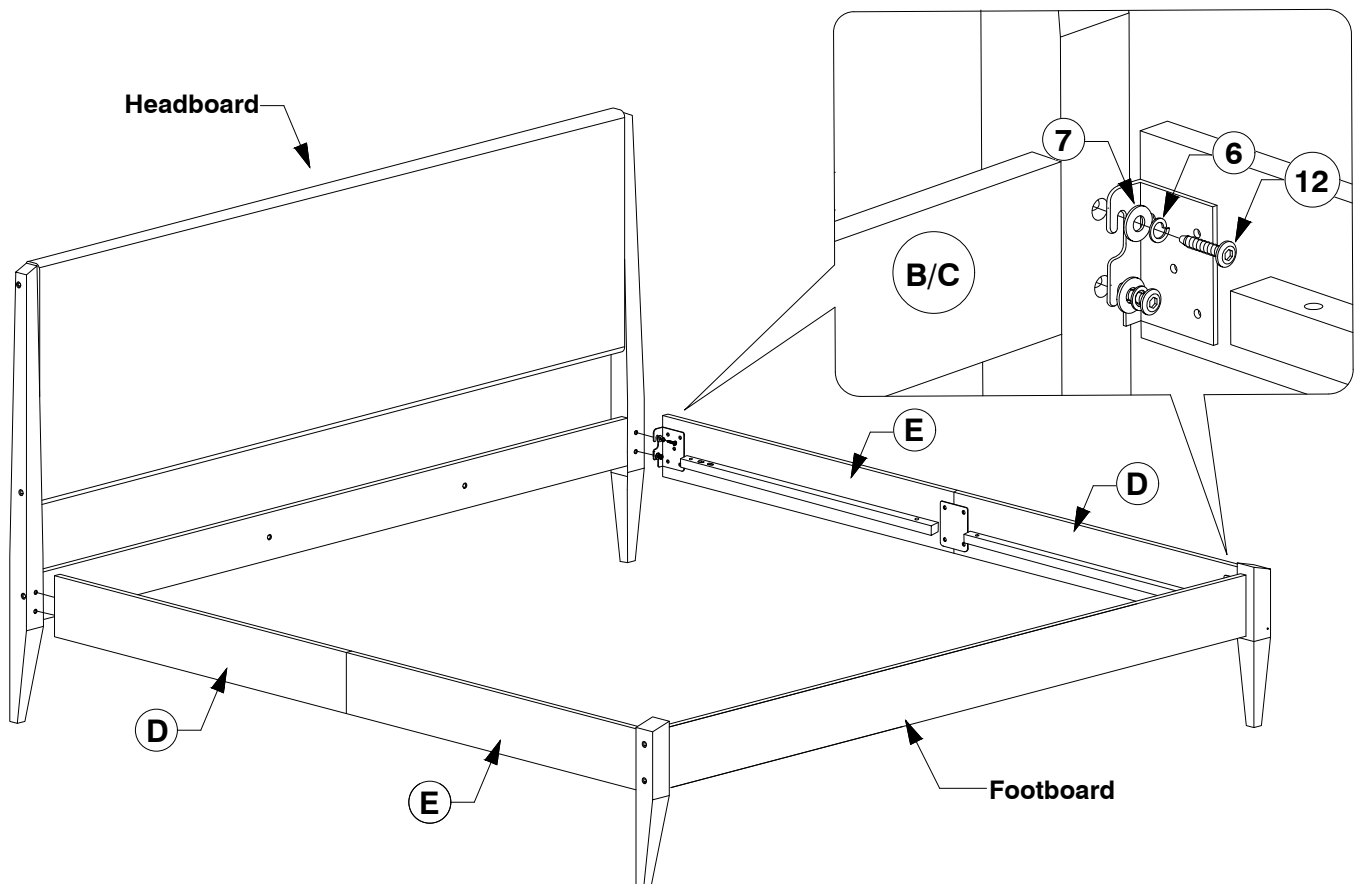
Assembly Instructions

WI-0221

8 Assembly the Footboard Post (H & J) to the Footboard Panel (C).



9 Assemble the Side Rail (D & E) to the Headboard & Footboard.

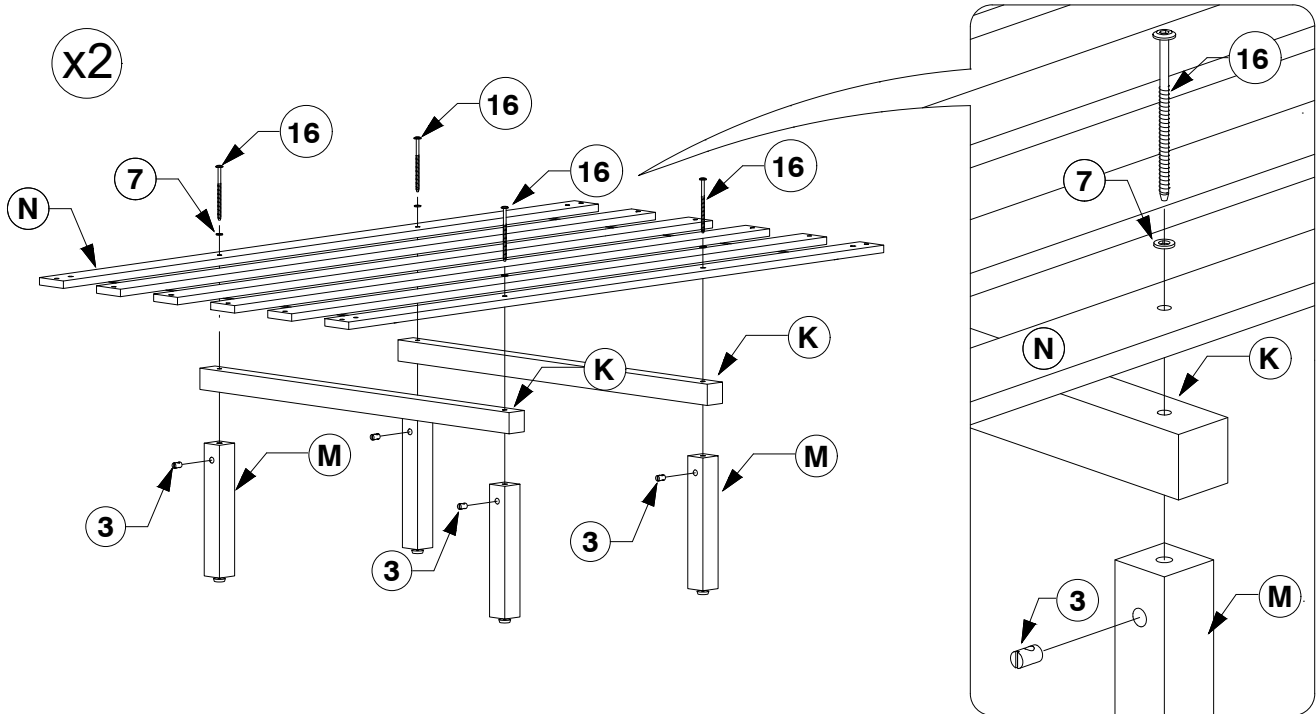


0077 S King Bed

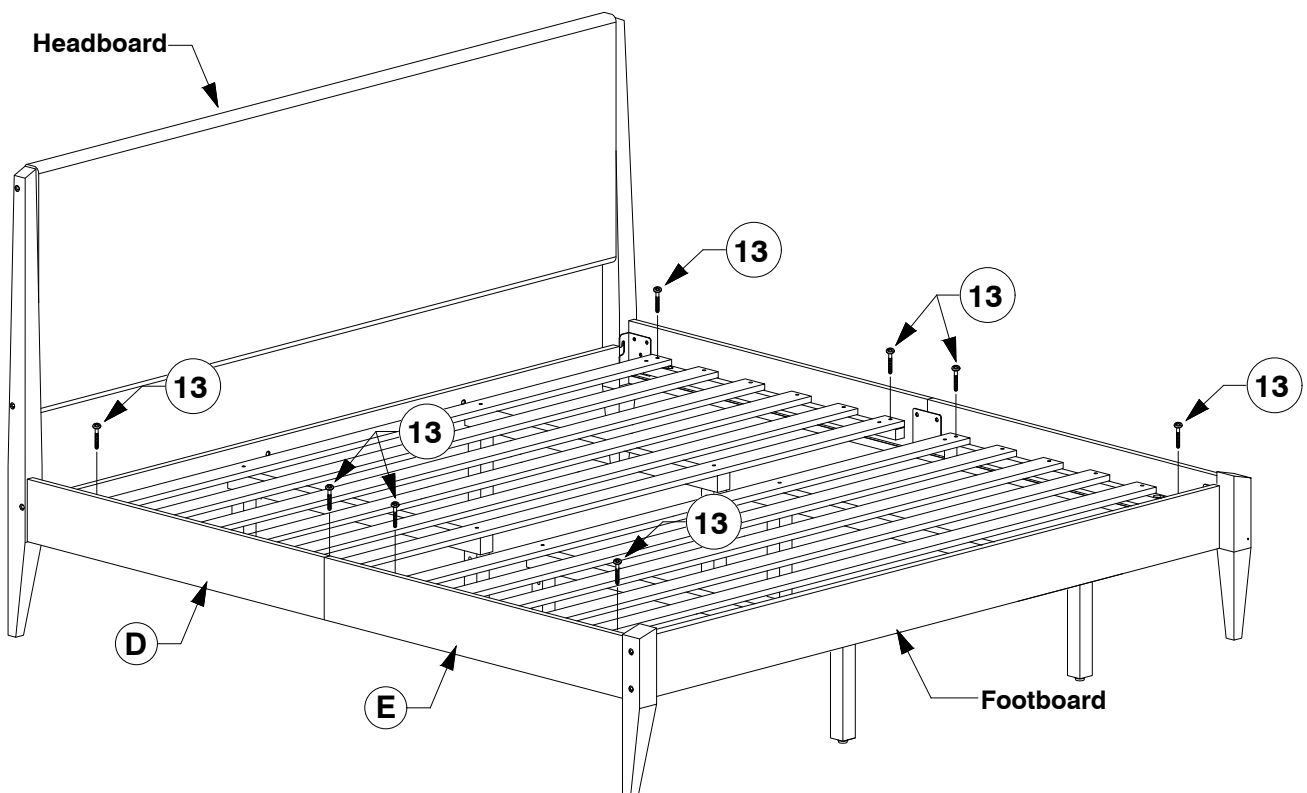
Assembly Instructions

WI-0221

- 10** Fix the Slats (N) to the Long Support (K) & Support Leg (M).



- 11** Bolt the Bed Slat (N) to the Side Rail (D & E).

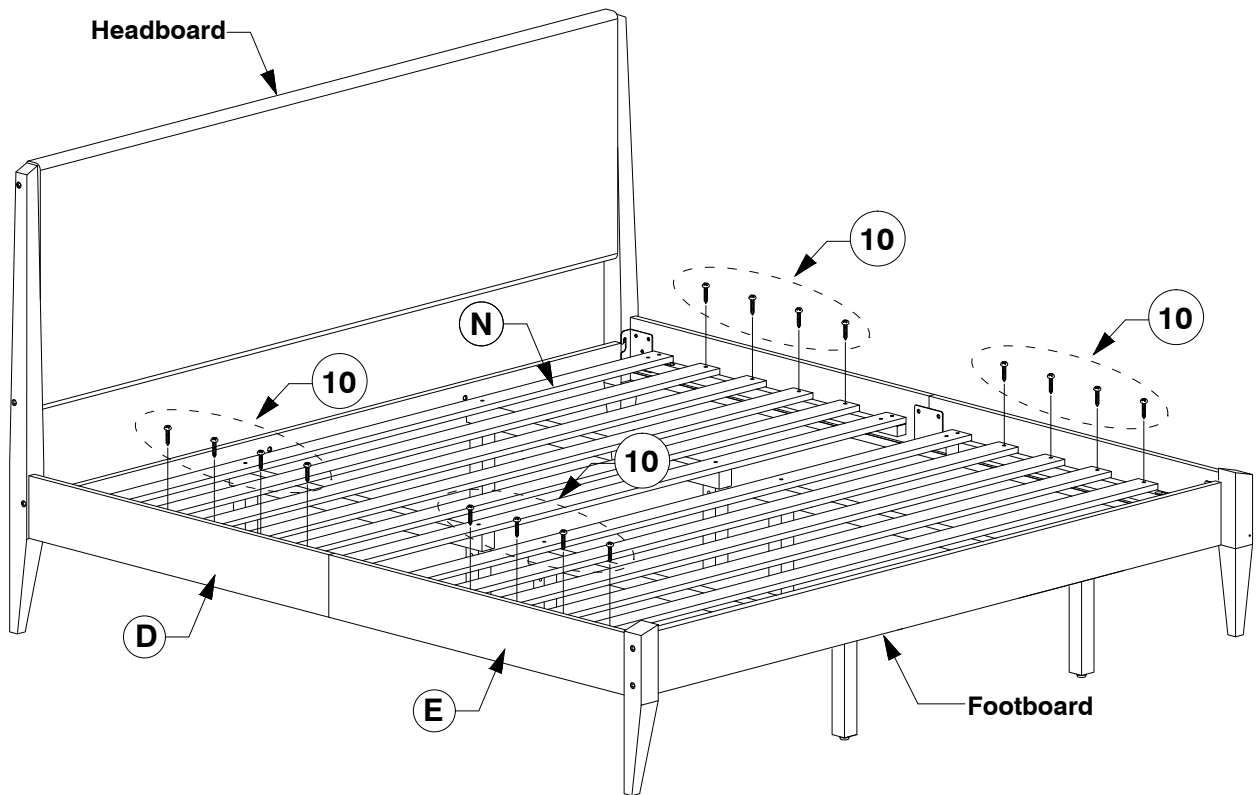


0077 S King Bed

Assembly Instructions

WI-0221

- 12** Screw the Bed Slat (N) to the Side Rail (D & E).



- 13** Lastly, fit the Support Bar (L) in place.

