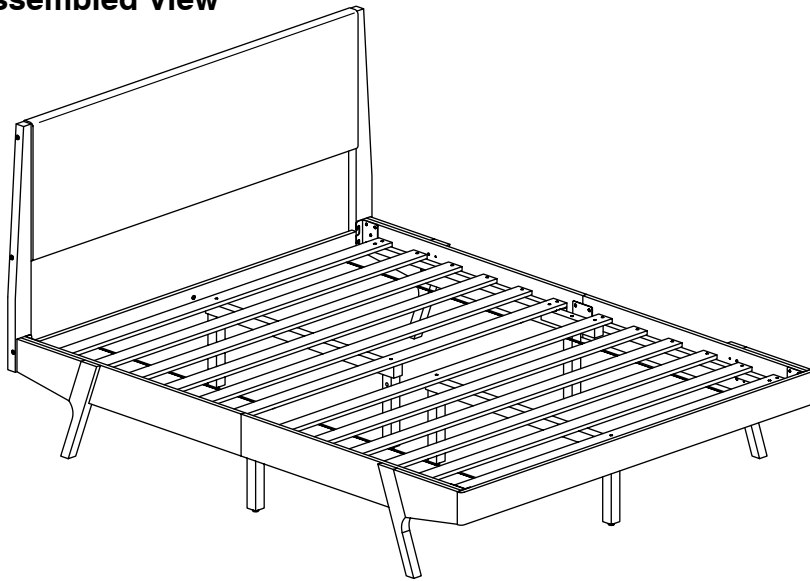


0008 S Queen Bed

Assembly Instructions

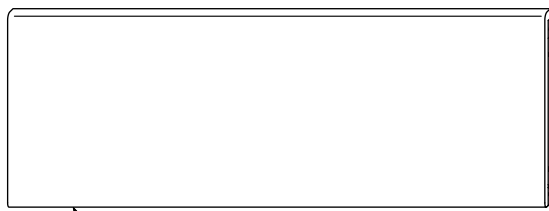
WI-0221

1 Assembled View

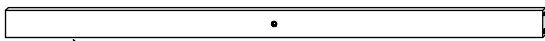


Note: Do not assemble using power tools. This can cause the bolts to be overtightened

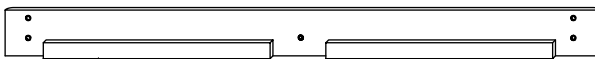
2 Parts List



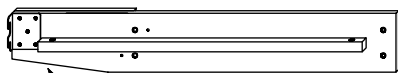
A Headboard Panel x 1



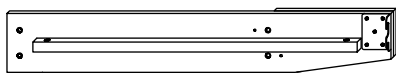
B Headboard Support x 1



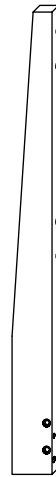
C Footboard Panel x 1



D Side Rail (Left Hand) x 2



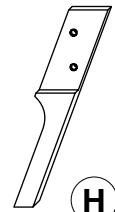
E Side Rail (Right Hand) x 2



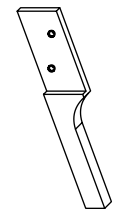
F Headboard Post (Left Hand) x 1



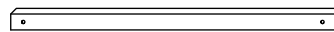
G Headboard Post (Right Hand) x 1



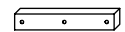
H Bed Post (Left Hand) x 2



J Bed Post (Right Hand) x 2



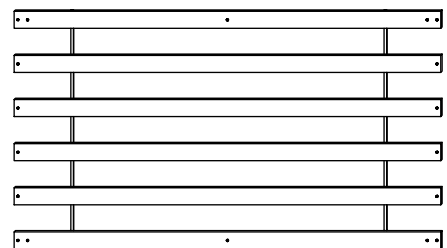
K Long Support x 2



L Support Bar x 2



M Support Leg x 6



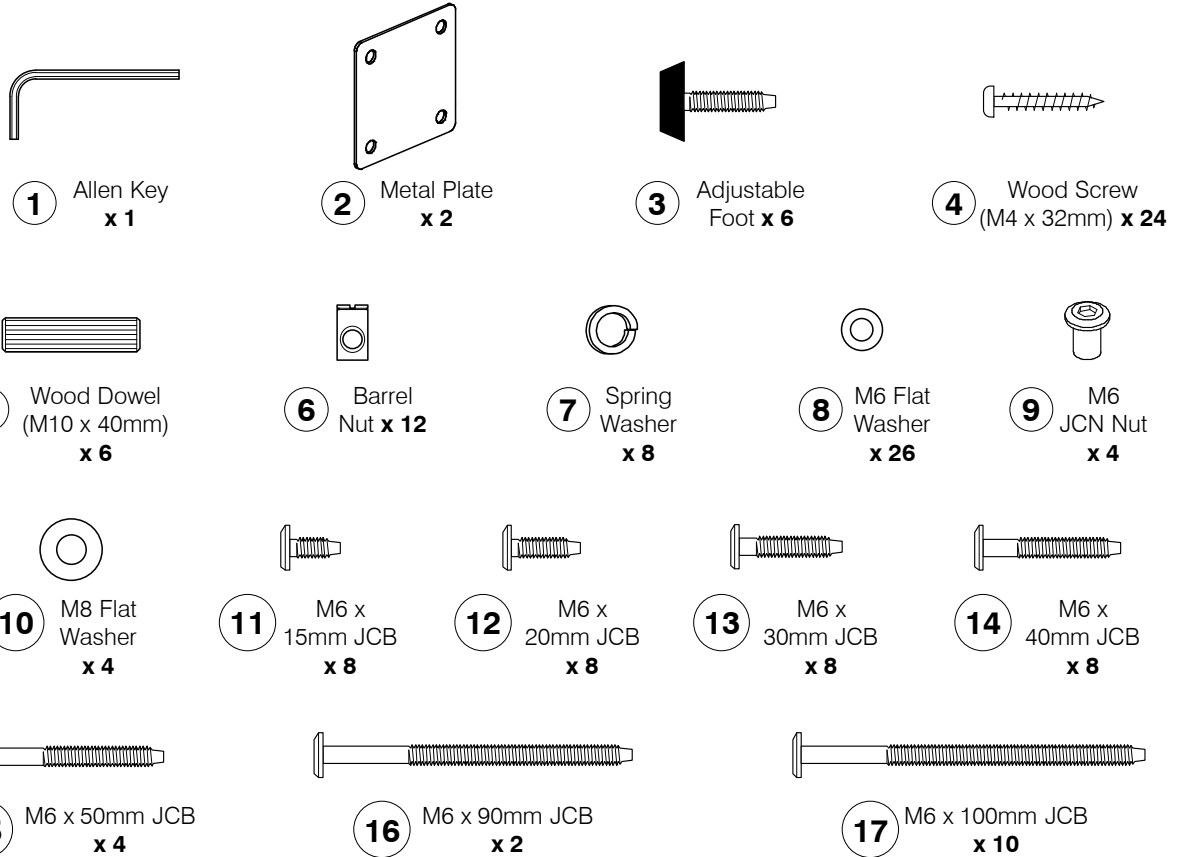
N Set of Bed Slats x 2

0008 S Queen Bed

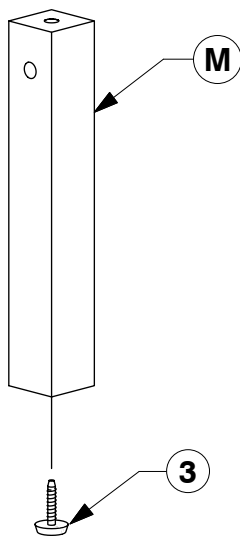
Assembly Instructions

WI-0221

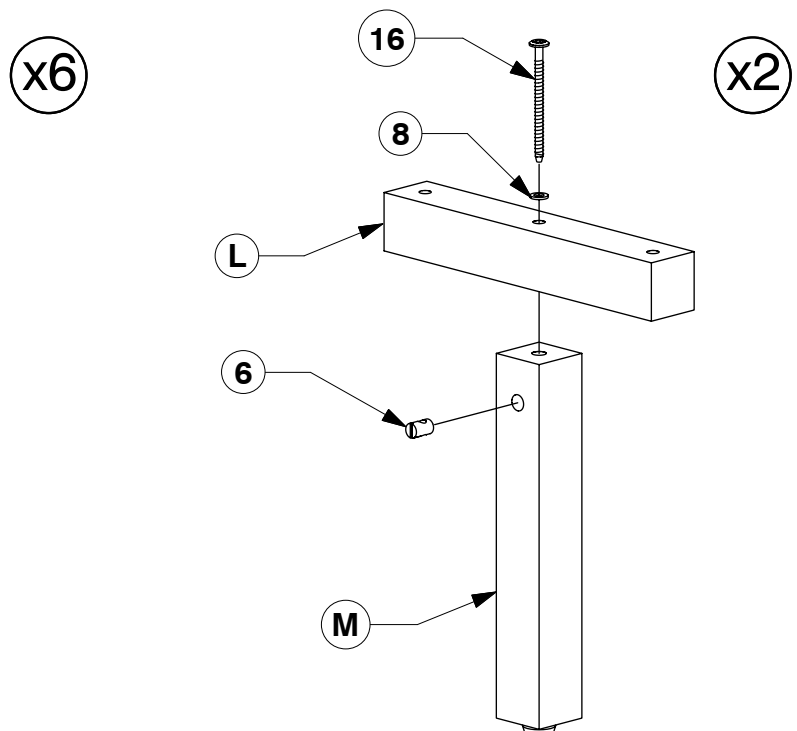
3 Hardware List



4 Fit the Adjustable foot to the bottom of the Support Leg (M).



5 Fit the Support Bar (L) to the Support Leg (M).

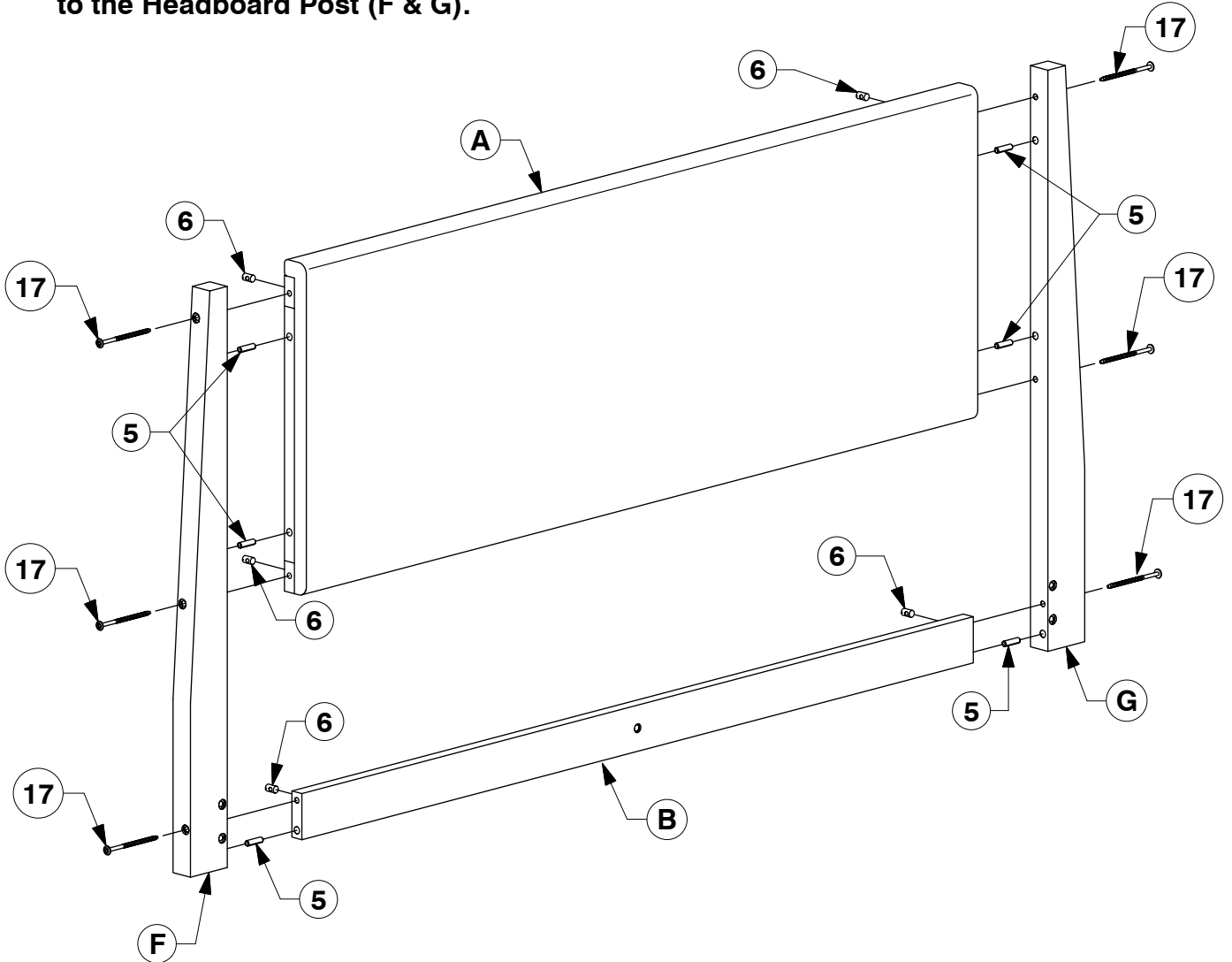


0008 S Queen Bed

Assembly Instructions

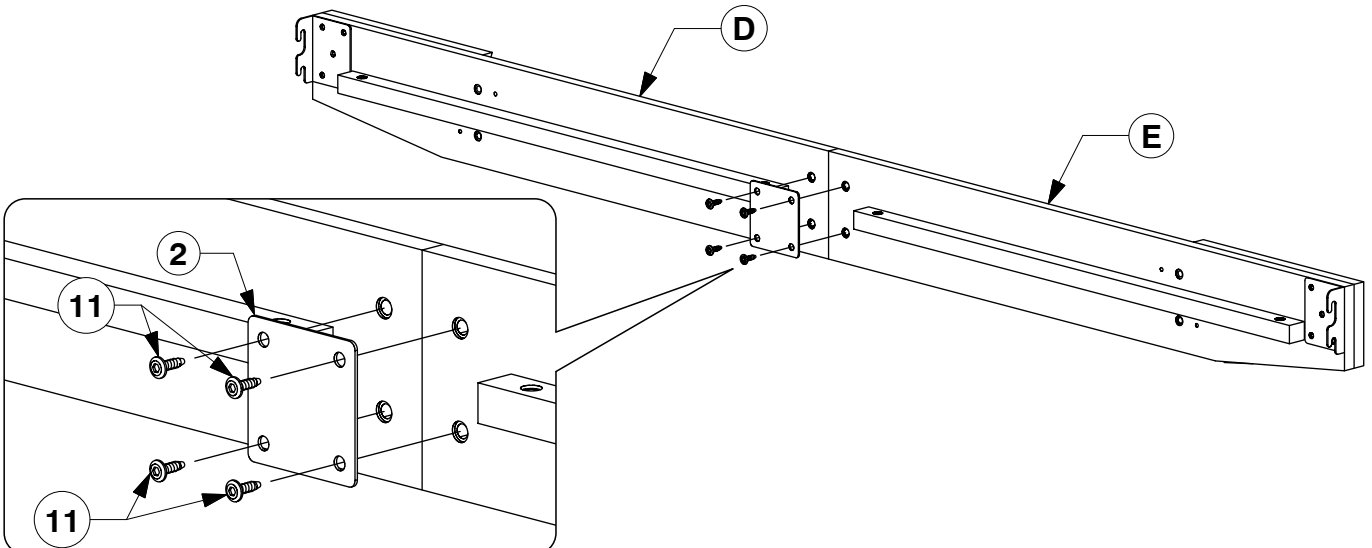
WI-0221

- 6** Assemble the Headboard Panel (A) & Headboard Support (B) to the Headboard Post (F & G).



- 7** Fit the Metal Plate to the Side Rail (D & E).

x2



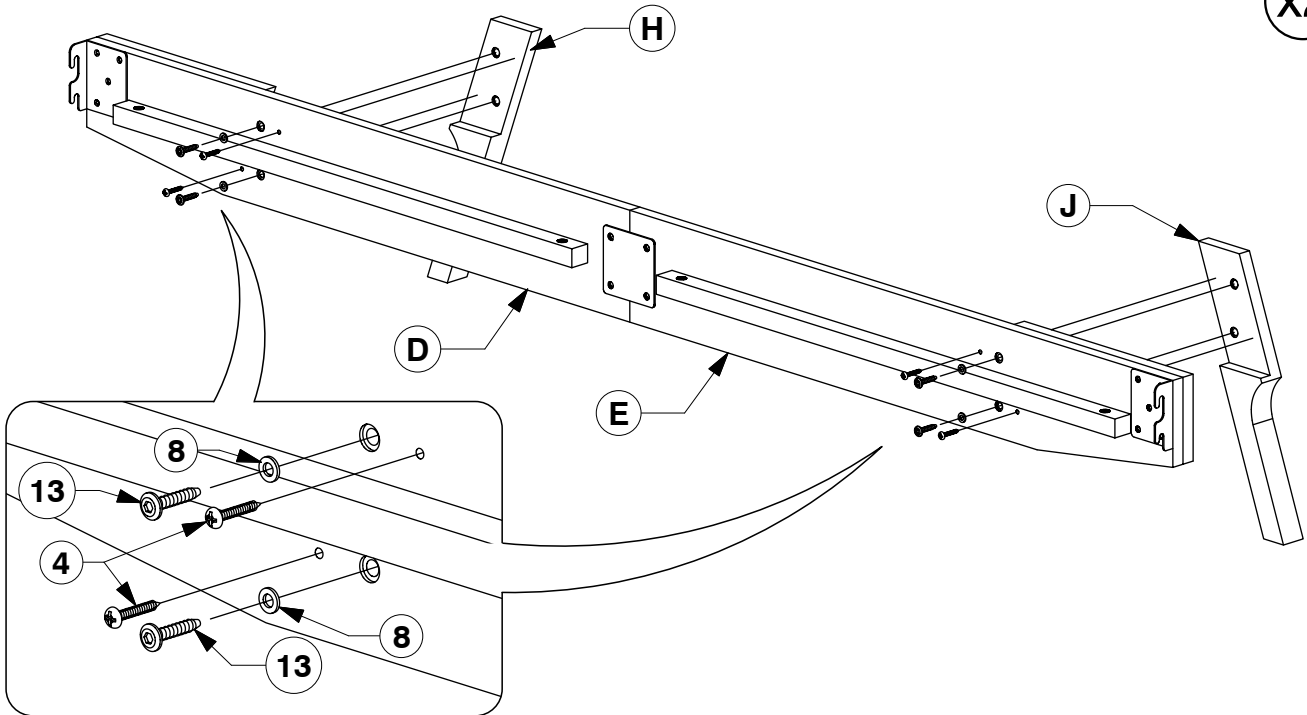
0008 S Queen Bed

Assembly Instructions

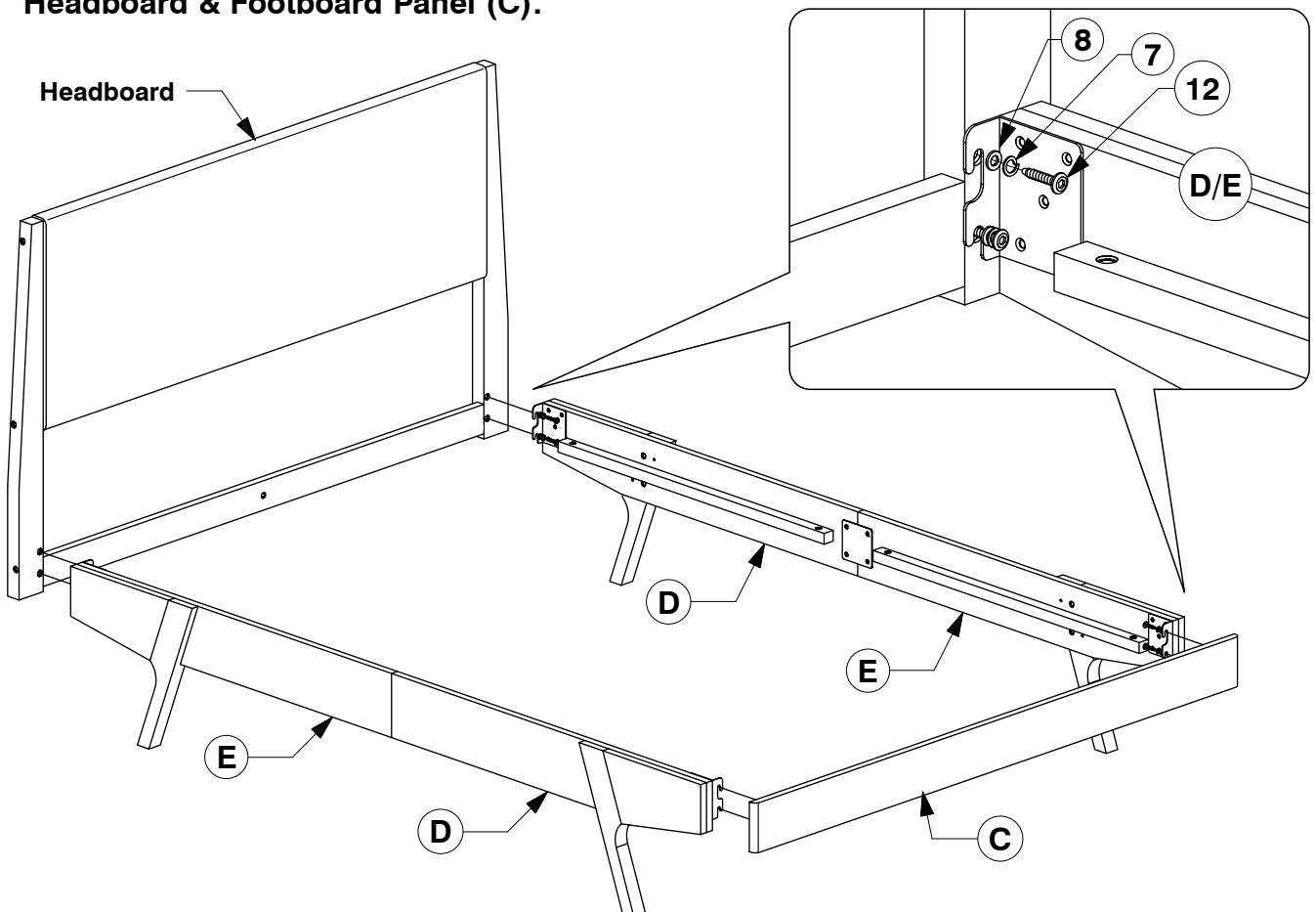
WI-0221

- 8** Fit the Bed Post (H & J) to the Side Rail (D & E).

x2



- 9** Assemble the Side Rail (D & E) to the Headboard & Footboard Panel (C).

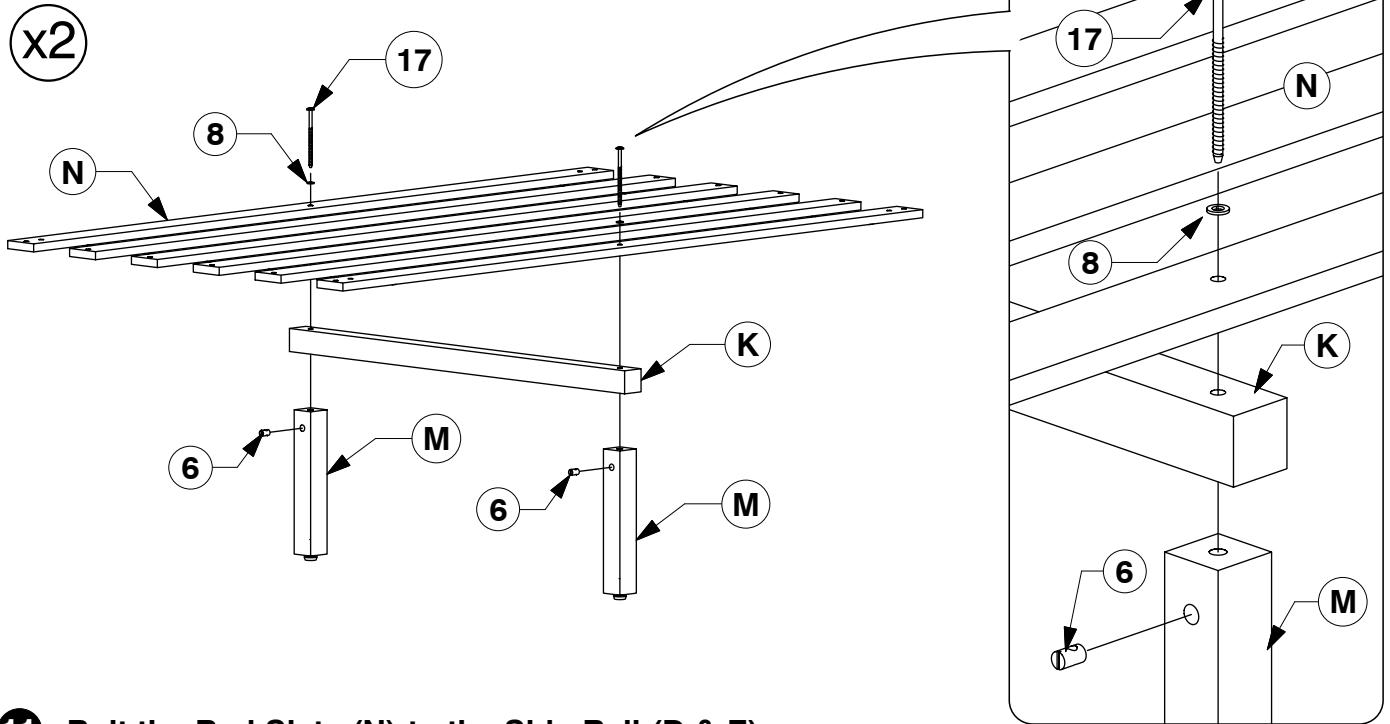


0008 S Queen Bed

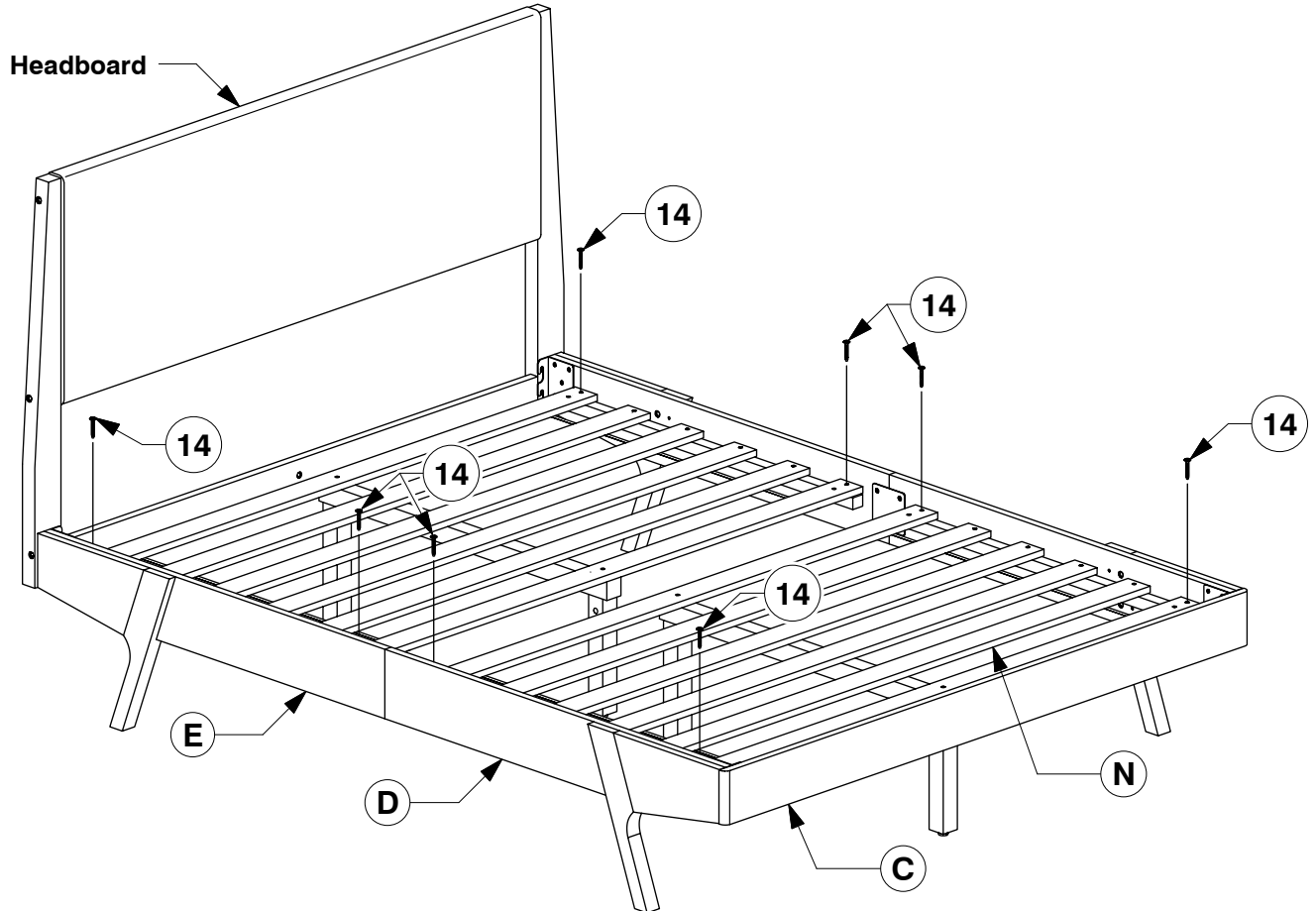
Assembly Instructions

WI-0221

- 10** Fit the Slats (N) to the Long Support (K) & Support Leg (M).



- 11** Bolt the Bed Slats (N) to the Side Rail (D & E).

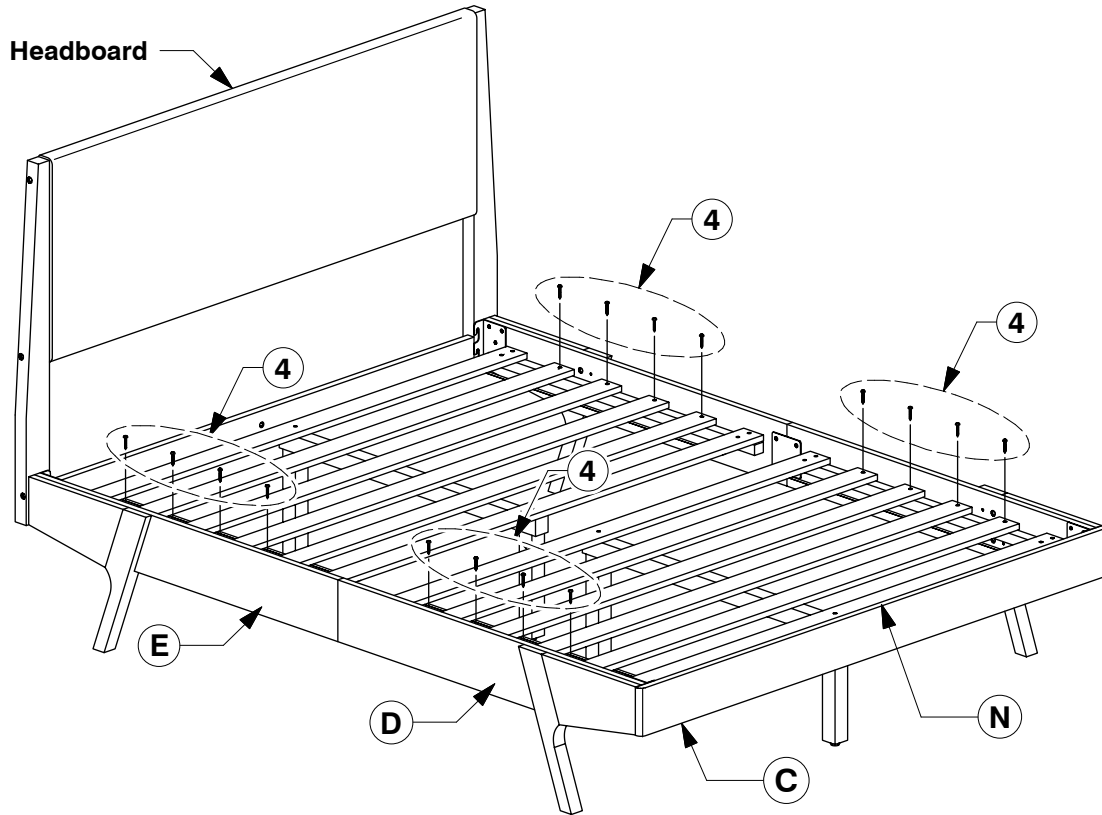


0008 S Queen Bed

Assembly Instructions

WI-0221

- 12** Screw the Bed Slats (N) to the Side Rail (D & E).



- 13** Lastly, fit the Support Bar (L) in place.

