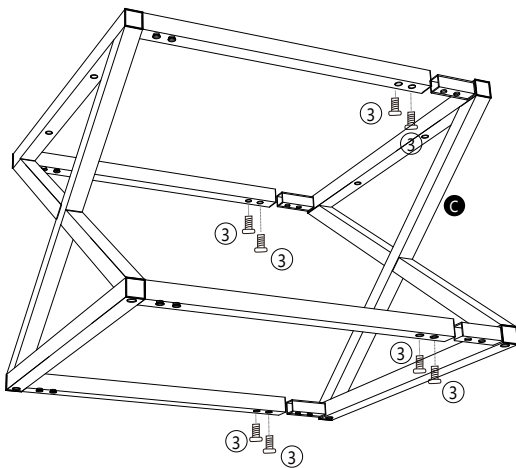
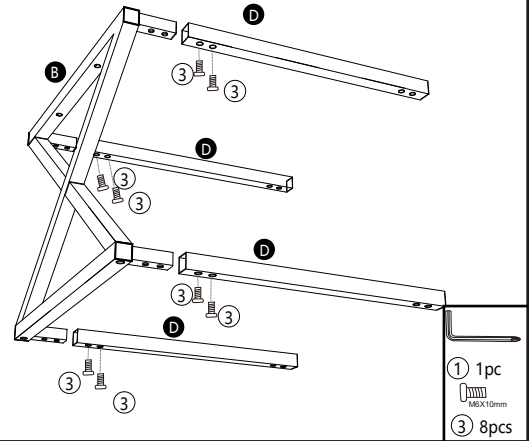
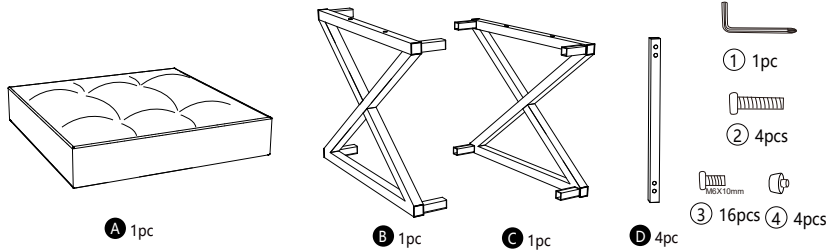
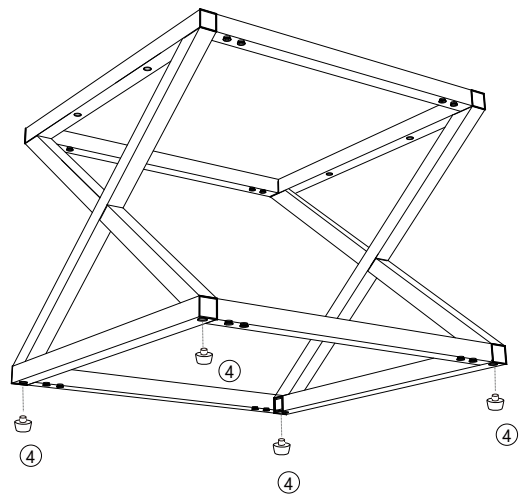


# Assemble Instruction

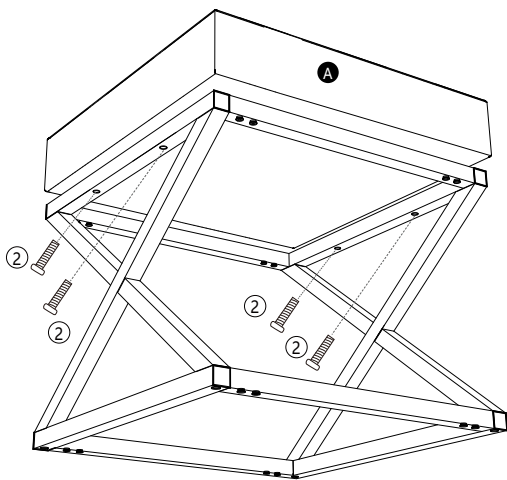
Attention : Do not tighten the screws until you have complete setup assembly.



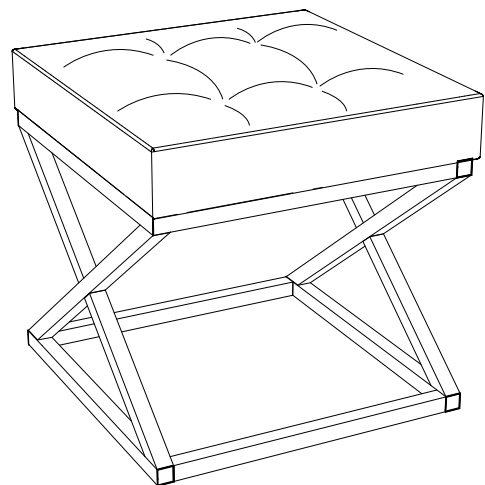
2



3



4



5