



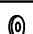


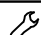

# Assembly Instructions

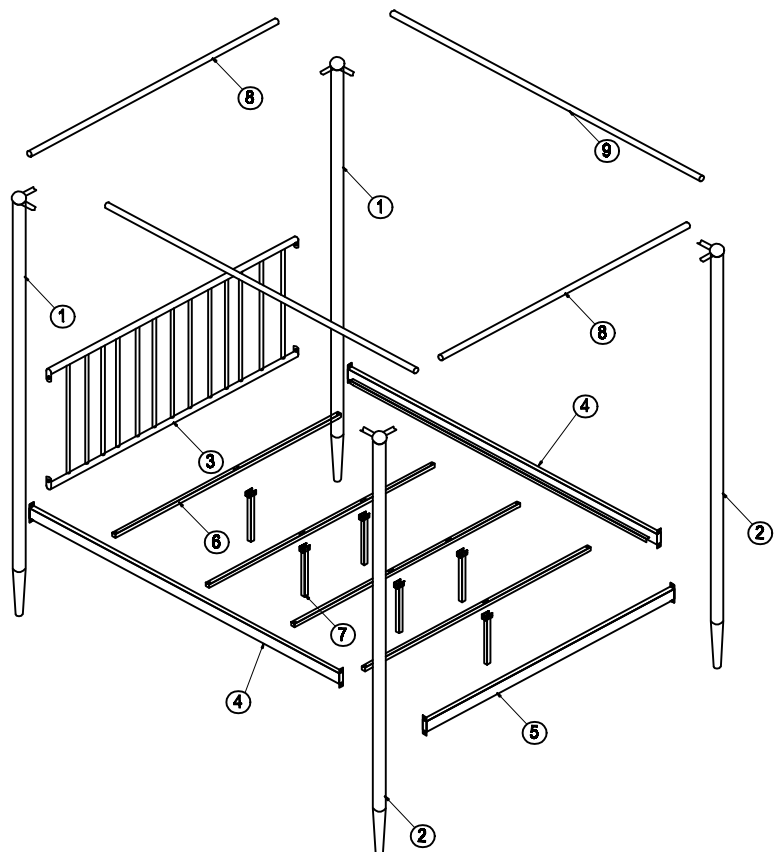
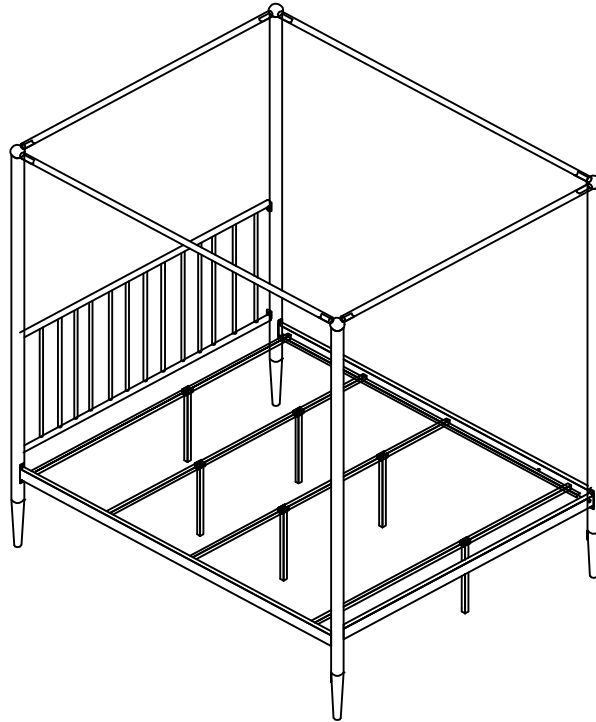
# Model: TS ELSA CANOPY BED

## PART LIST

NO	DESCRIPTION	QTY
1	HEADBOARD POST	2 PCS
2	FOOTBOARD POST	2 PCS
3	HEADBOARD (HB)	1 PCS
4	SIDE RAIL	2 PCS
5	FRONT RAIL	1 PCS
6	CROSS BAR	4 PCS
7	SUPPORT LEG	6 PCS
8	TOP FRONT&BACK POST	2 PCS
9	TOP SIDE POST	2 PCS

## HARDWARE LIST

NO	DESCRIPTION	QTY
A	 JCBC (M6X20)	16 PCS
B	 JCBC (M6X35)	28 PCS
C	 M6 WASHER	12 PCS
D	 M6 HEX NUT	12 PCS
E	 ALLEN KEY	1 PCS
F	 M10 WRENCH	1 PCS
G	 25 MM ROUND CAP	4 PCS



## INSTALLATION INSTRUCTIONS

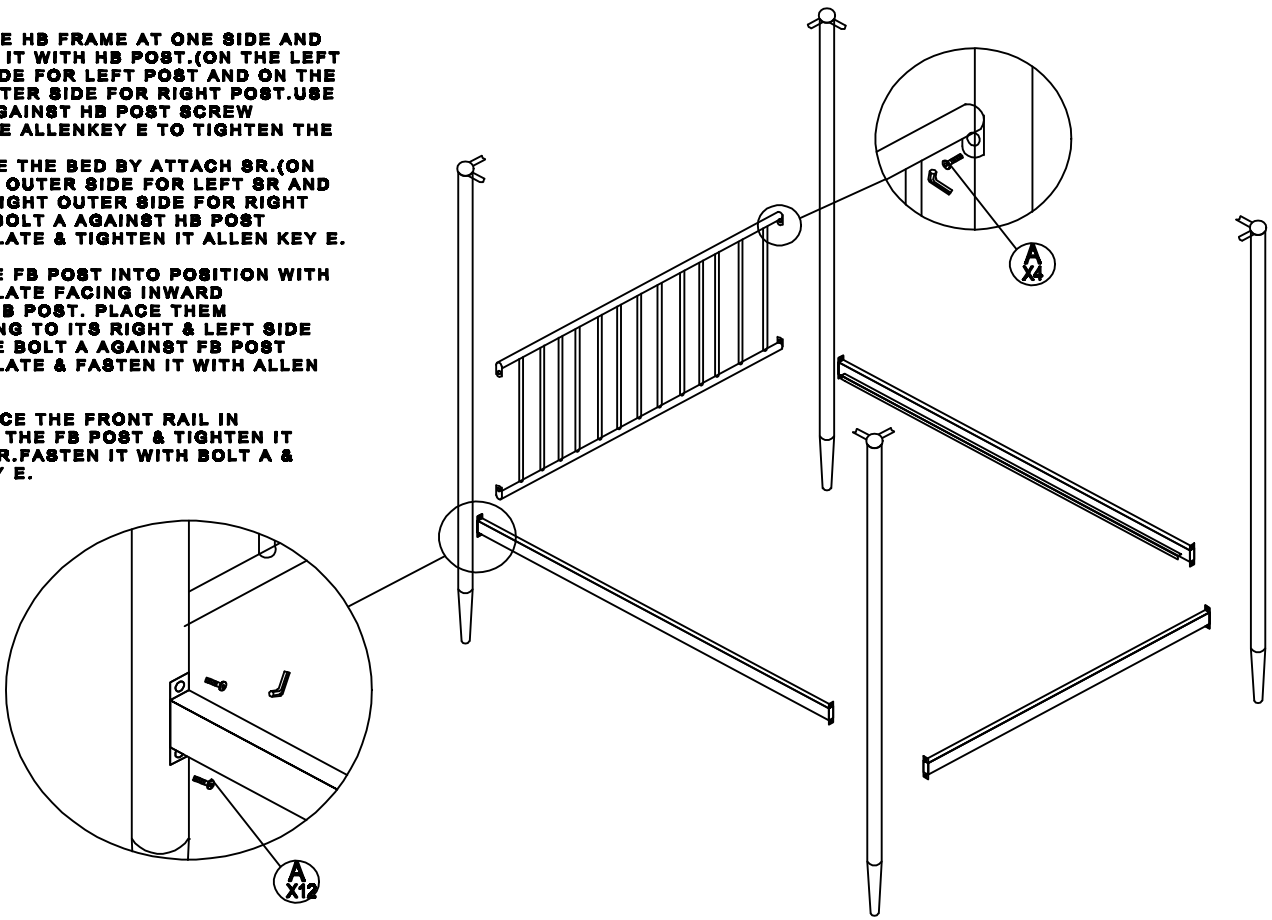
### STEP 1

PLACE THE HB FRAME AT ONE SIDE AND CONNECT IT WITH HB POST.(ON THE LEFT OUTER SIDE FOR LEFT POST AND ON THE RIGHT OUTER SIDE FOR RIGHT POST.USE BOLT A AGAINST HB POST SCREW PLATE.USE ALLENKEY E TO TIGHTEN THE SCREWS.

ASSEMBLE THE BED BY ATTACH SR.(ON THE LEFT OUTER SIDE FOR LEFT SR AND ON THE RIGHT OUTER SIDE FOR RIGHT SR).USE BOLT A AGAINST HB POST SCREW PLATE & TIGHTEN IT ALLEN KEY E.

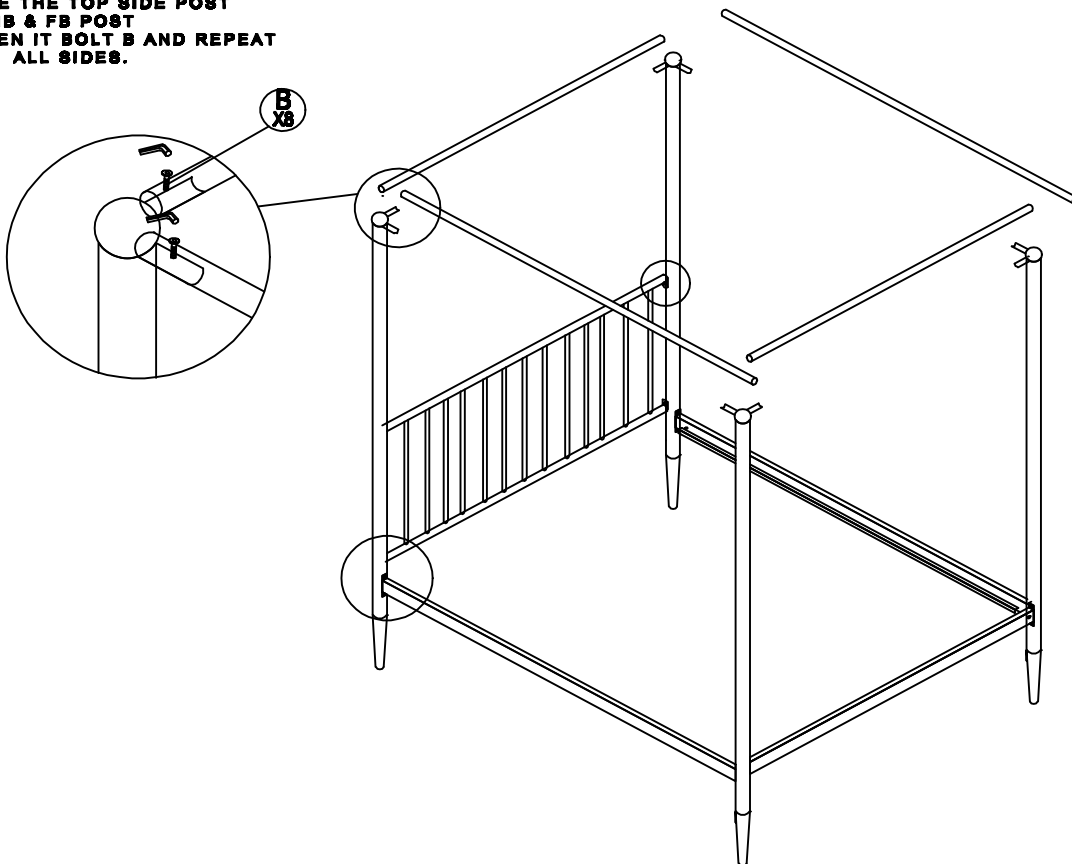
MOVE THE FB POST INTO POSITION WITH SCREW PLATE FACING INWARD TOWARD HB POST. PLACE THEM ACCORDING TO ITS RIGHT & LEFT SIDE FORM.USE BOLT A AGAINST FB POST SCREW PLATE & FASTEN IT WITH ALLEN KEY E.

NEXT PLACE THE FRONT RAIL IN BETWEEN THE FB POST & TIGHTEN IT TOGETHER.FASTEN IT WITH BOLT A & ALLENKEY E.



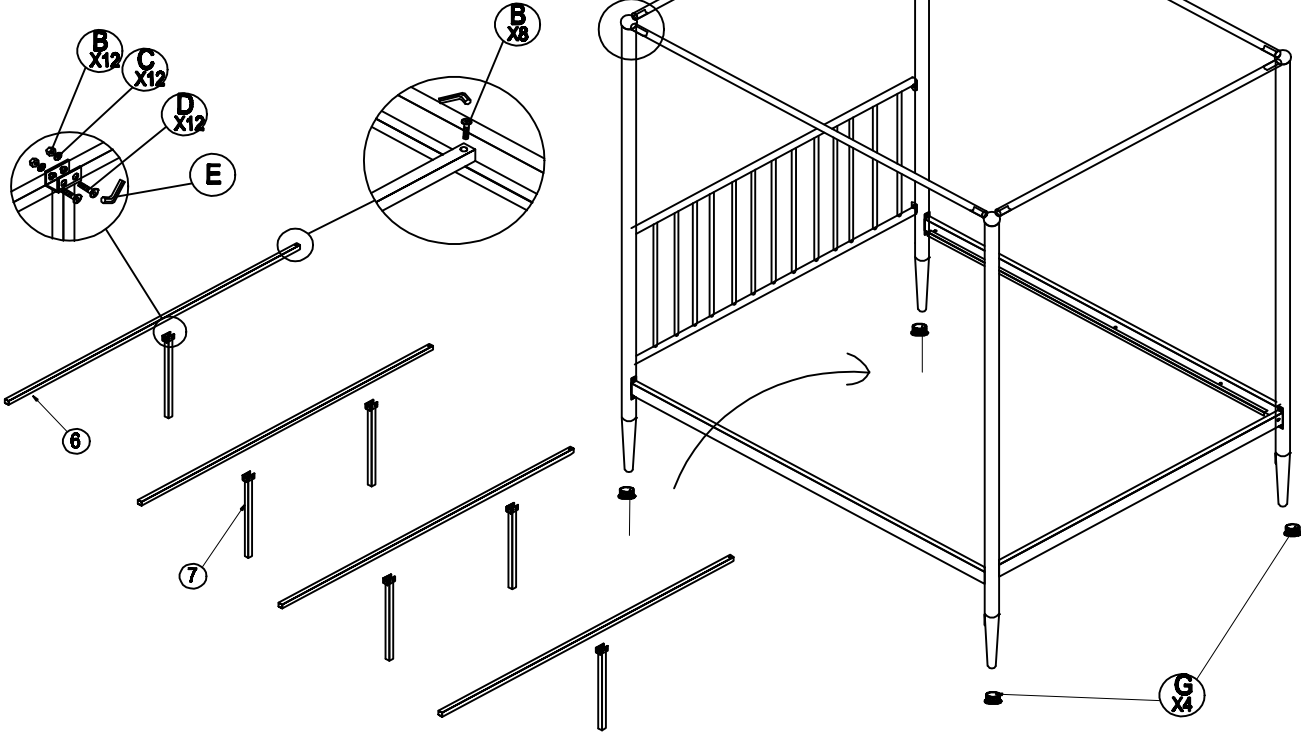
### STEP 2

ASSEMBLE OF THE BED'S SUPPORT ON TOP.PLACE THE TOP FRONT & BACK POST AGAINST THE HB & FB POST BRACKET.PLACE THE TOP SIDE POST AGAINST THE HB & FB POST BRACKET.FASTEN IT BOLT B AND REPEAT THIS STEPS AT ALL SIDES.



**STEP 3**

**ASSEMBLE OF THE BED'S BASE. PLACE CROSS BAR AGAINST THE SR BRACKET AND FASTEN IT WITH BOLT B. REPEAT THIS STEPS AT OTHER SIDES. PUT UP THE SUPPORT LEGS UNDERNEATH THE CROSS BAR AND INSTALL IT TOGETHER. FASTEN IT WITH BOLT B, WASHER AND HEXNUT. LASTLY ATTACH STOPPER G AT BOTTOM OF THE HB & FB POST.**



**FULLY SETS UP.**

