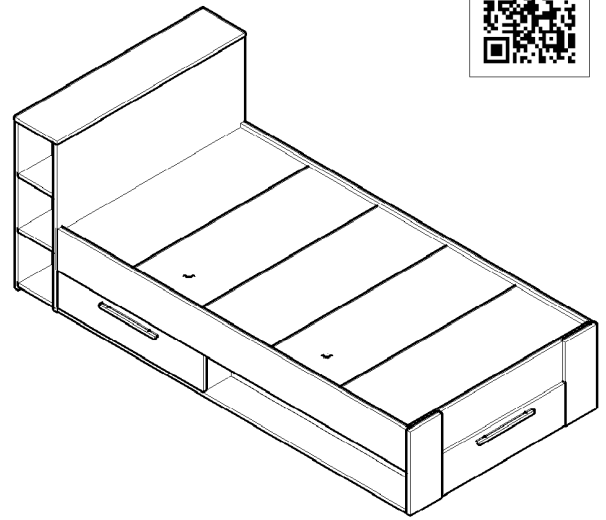


ASSEMBLY INSTRUCTIONS

SE BED 1302918WI



Thank you for your purchase.
 Before assembly, please read these instructions.
 Please read all warnings.
 Store this instruction manual for future reference.



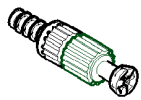
Product Size	Approximately 2169 Width x 1033 Length x 815 Height (MM)
Main Materials	MDF (Medium Density Fiberboard)
Weight Capacity	Top insert: About 30KG , Shelf insert: About 10KG , ※ These are measured figures, not guaranteed figures.
Time To Assembly	About 30 Minutes

Assembly Warning

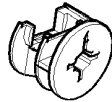
- Assembling with 2 or more people is recommended.
- Please assemble at a spacious and flat place
- Please place blankets or cardboard so floor or walls will not be scratched
- Please ventilate the area if there is a strong glue odor after opening the product
- Please follow assembly instructions
- Please have the below tools ready before assembling
 - Screwdriver, Scissors or Blade Box cutter, Rubber hammer, Drill

Hardware

Before assembly, inspect unit for missing parts. Be sure that children do not accidentally swallow these parts.
 ※ Same sized parts are in a bag. Please check the size of the screws.



A Minifix
M5x24MM **49 Pcs**



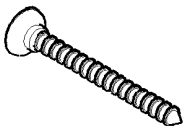
B Minifix
Casing **49 Pcs**



C Wood Dowel
M8x30MM **84 Pcs**



D Screw
M4x38MM **22 Pcs**



E Screw
M4x28MM **4 Pcs**



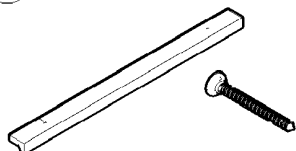
F Screw
M6x50MM **2 Pcs**



G Power Pin **24 Pcs**



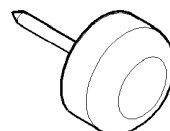
H Drawer Slide 14" **4 Pcs**
Screw M3.5x12MM **36 Pcs**



I PVC Handle **3 Pcs**
Screw M4x28MM **6 Pcs**



J Allen Key **1 Pc**

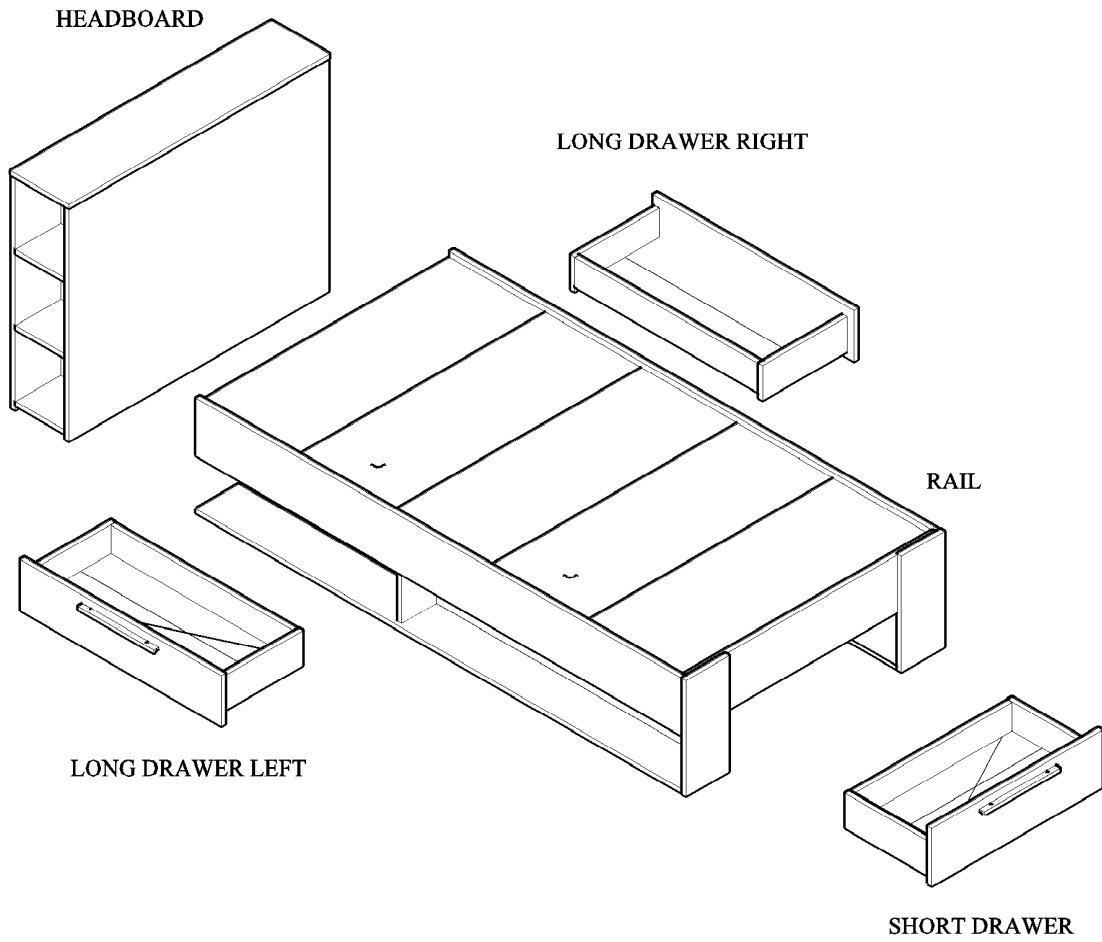


K White Leg Pin **15 Pcs**



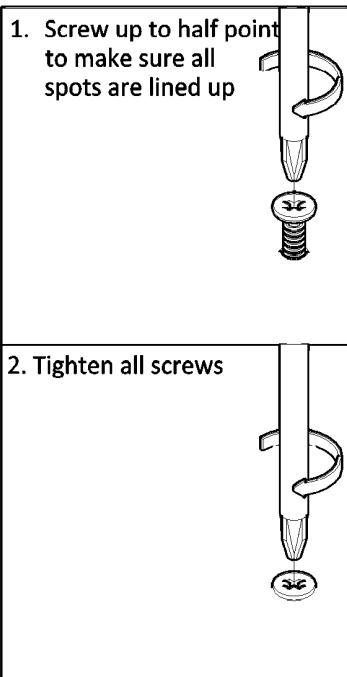
L Minifix Caps **2 Pcs**

Parts

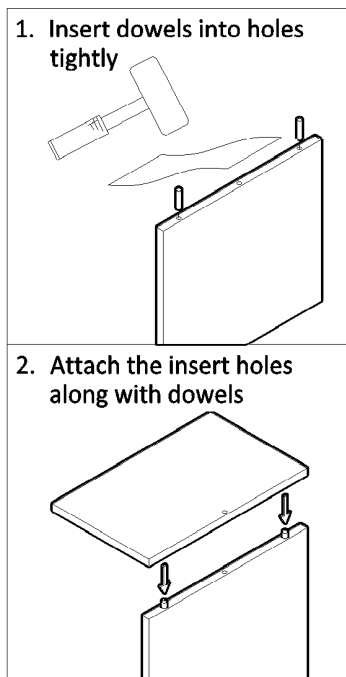


Assembly Information

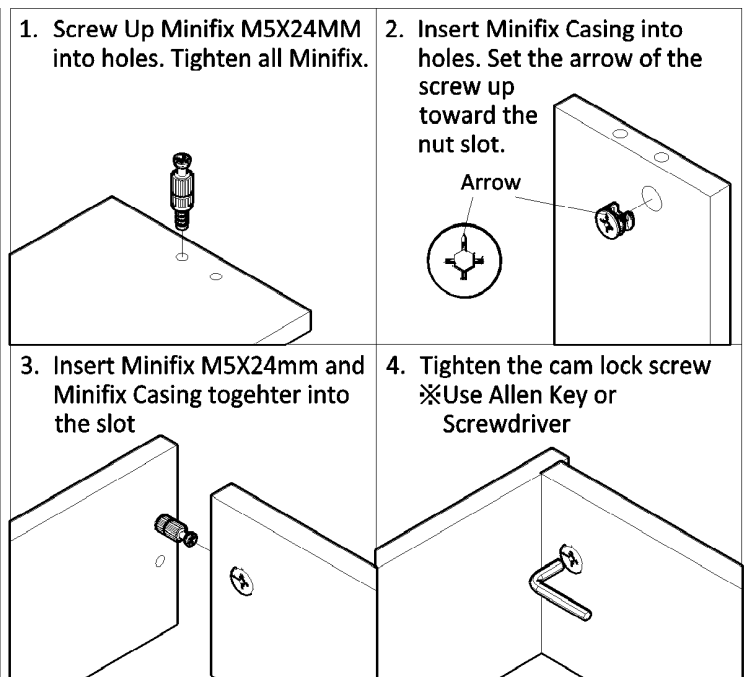
Assemble screws



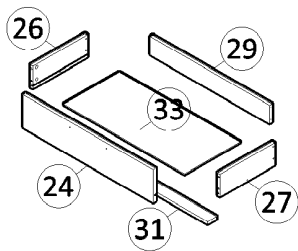
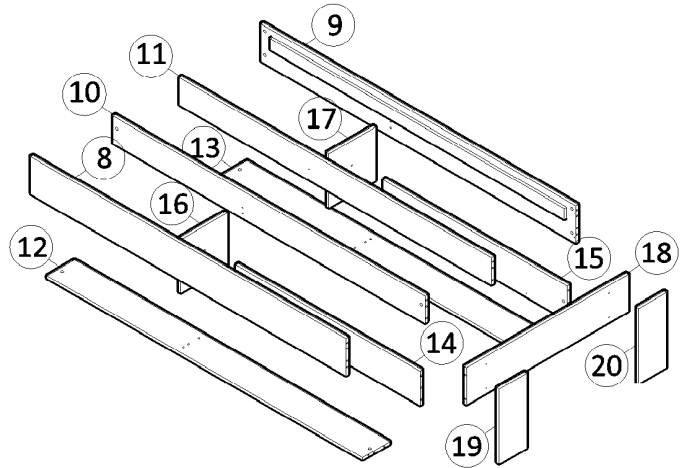
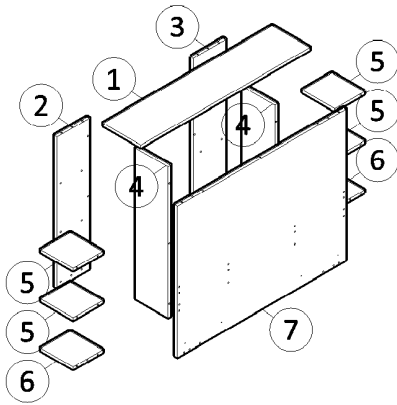
Assemble Wood Dowels



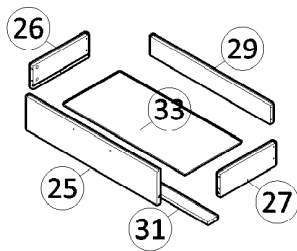
Assemble Minifix



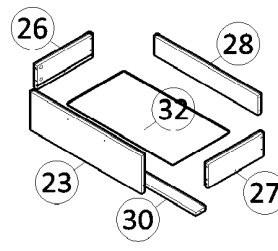
Parts



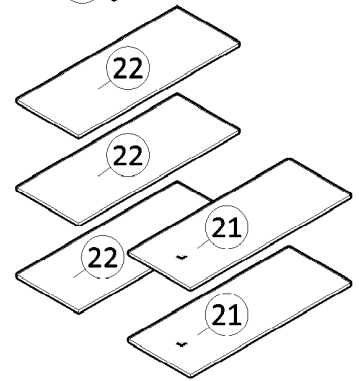
LONG DRAWER LEFT



LONG DRAWER RIGHT



SHORT DRAWER

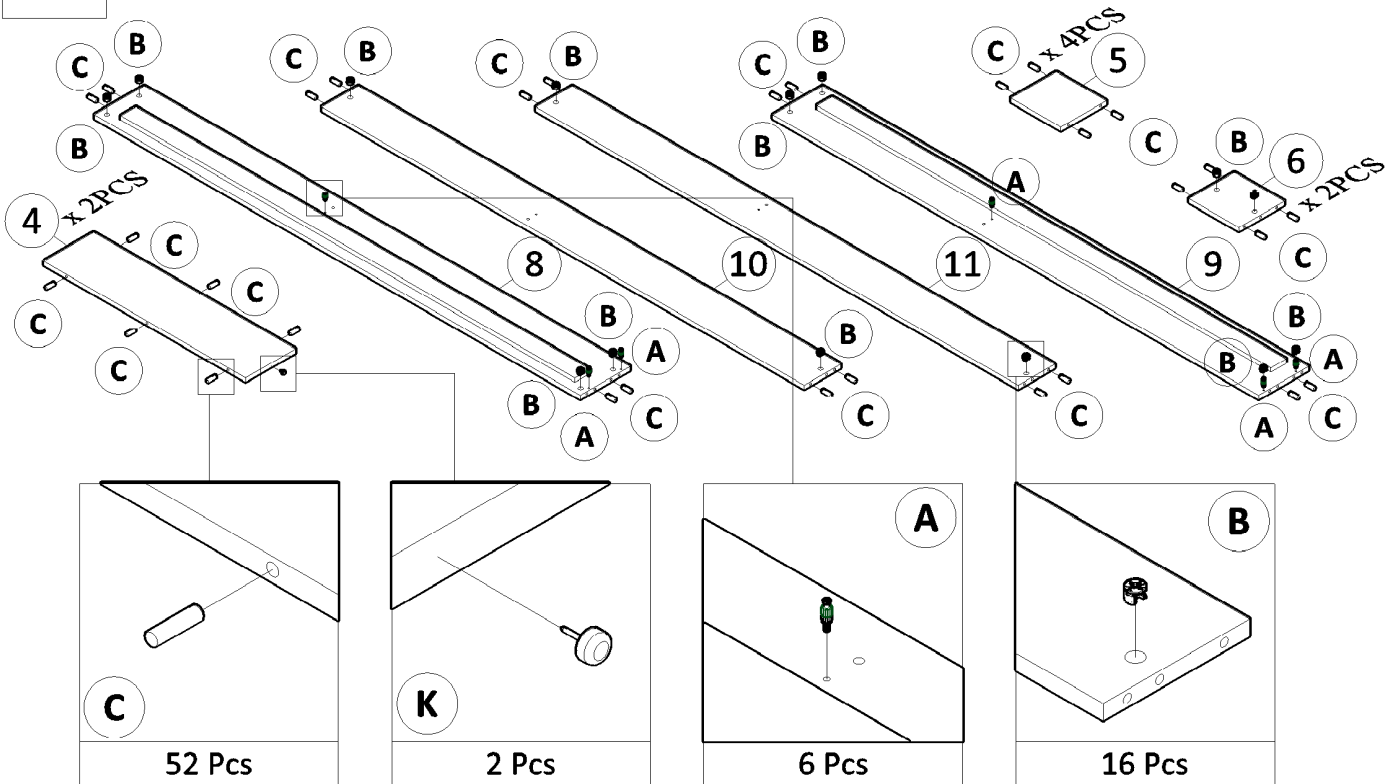


- | | | | | | |
|-----------------------------|-------|-------------------------------|------|---------------------------------|-------|
| 1 Top Panel | 1 Pc | 14 Below Back Panel (L) | 1 Pc | 24 Drawer Face Panel (Long) (L) | 1 Pc |
| 2 Back Panel (L) | 1 Pc | 15 Below Back Panel (R) | 1 Pc | 25 Drawer Face Panel (Long) (R) | 1 Pc |
| 3 Back Panel (R) | 1 Pc | 16 Below Center Panel (L) | 1 Pc | 26 Drawer Side Panel (L) | 1 Pc |
| 4 Internal Side Panel (R&L) | 2 Pcs | 17 Below Center Panel (R) | 1 Pc | 27 Drawer Side Panel (R) | 1 Pc |
| 5 Small Shelf Panel | 4 Pcs | 18 Front Panel | 1 Pc | 28 Drawer Back Panel (Short) | 1 Pc |
| 6 Small Bottom Panel | 2 Pcs | 19 Front Stand Panel (L) | 1 Pc | 29 Drawer Back Panel (Long) | 2 Pcs |
| 7 Headboard Panel | 1 Pc | 20 Front Stand Panel (R) | 1 Pc | 30 Drawer Support Panel (Short) | 1 Pc |
| 8 Side Rail Panel (L) | 1 Pc | 21 2nd & 4th Shelf Panel | 1 Pc | 31 Drawer Support Panel (Long) | 2 Pcs |
| 9 Side Rail Panel (R) | 1 Pc | 22 1st, 3rd & 5th Shelf Panel | 1 Pc | 32 Drawer MDF Board (Short) | 1 Pc |
| 10 Center Rail Panel (L) | 1 Pc | 23 Drawer Face Panel (Short) | 1 Pc | 33 Drawer MDF Panel (Long) | 2 Pcs |
| 11 Center Rail Panel (R) | 1 Pc | | | | |
| 12 Below Bottom Panel (L) | 1 Pc | | | | |
| 13 Below Bottom Panel (R) | 1 Pc | | | | |

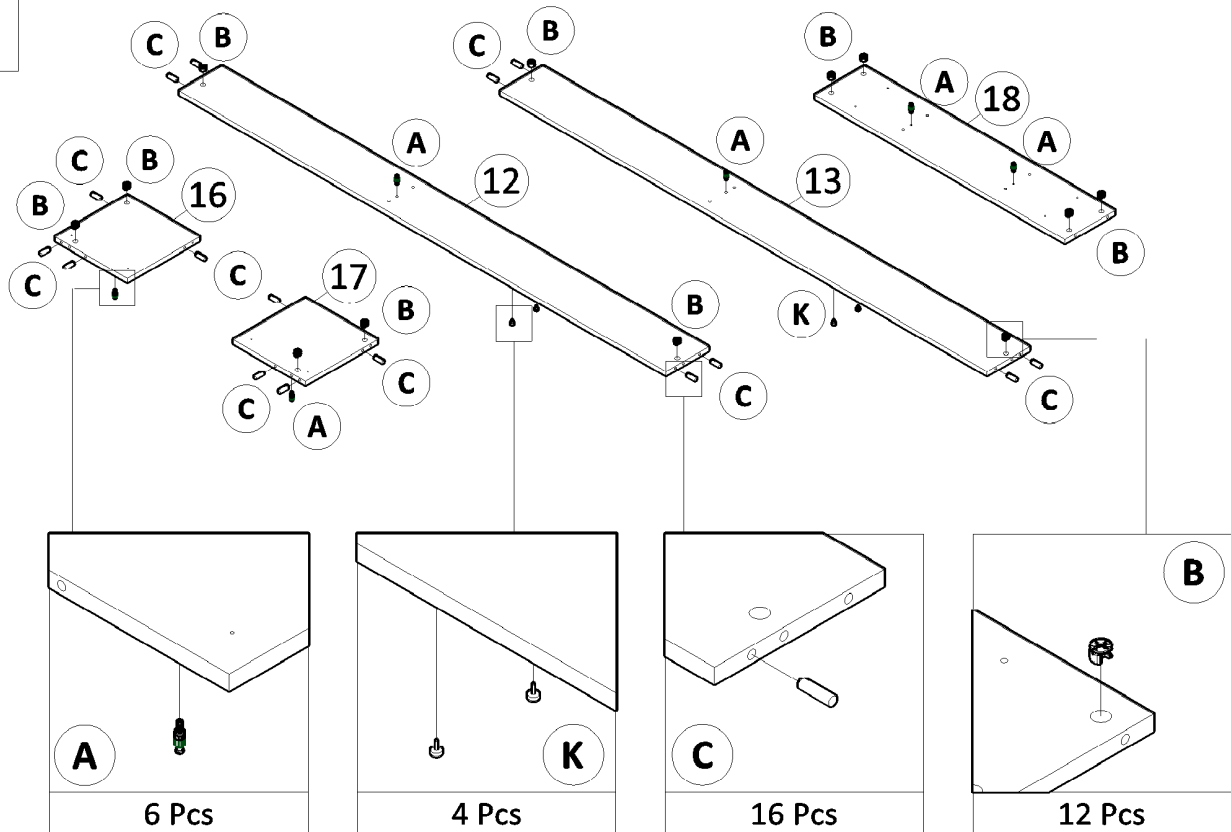
Assembly Step

Failure to follow these directions could cause poor strength or stability.
Insert screws loose to line up with slots then tighten up each screw.

1

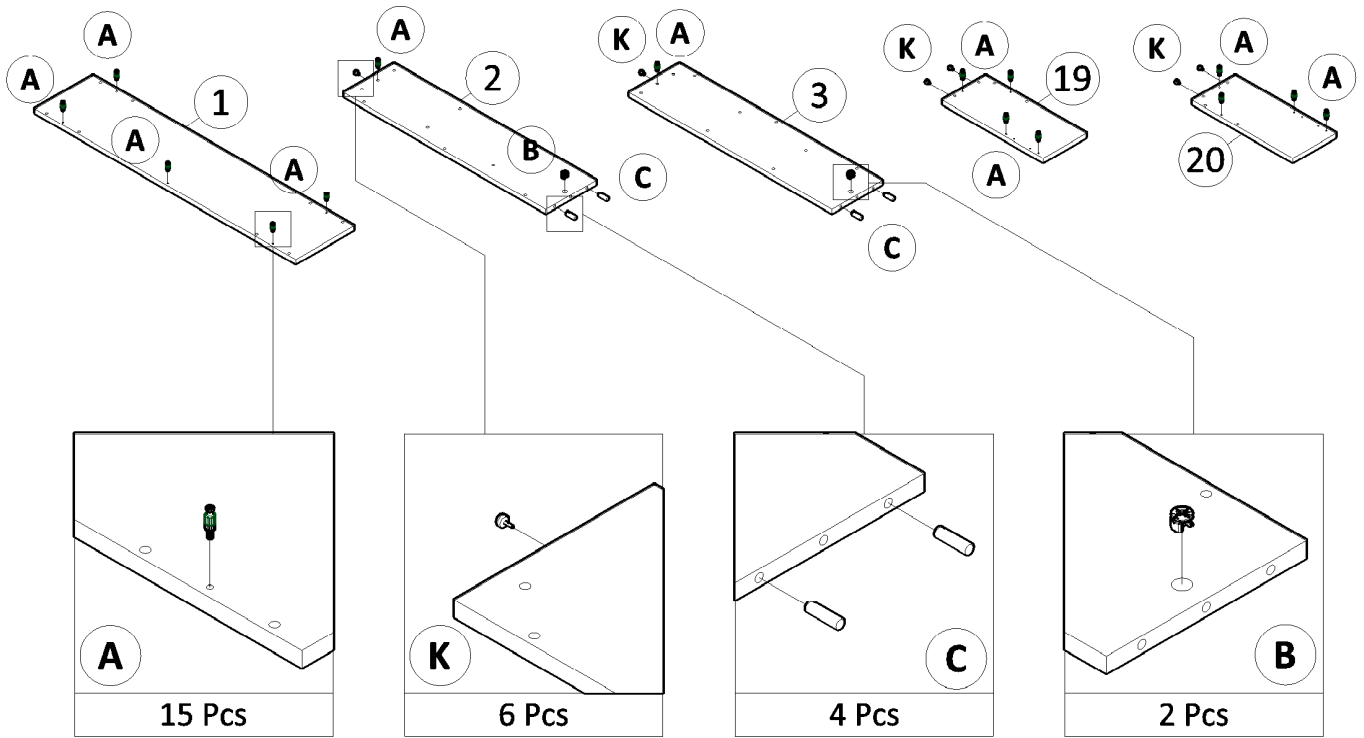


2

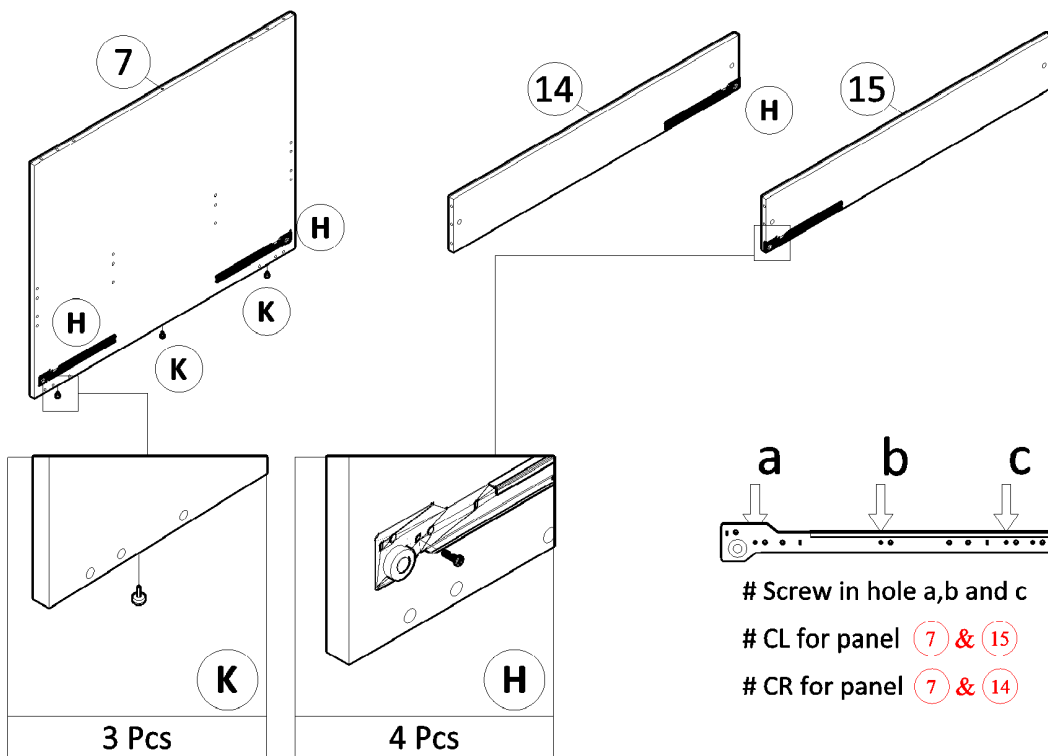


Assembly Step (Continue)

3

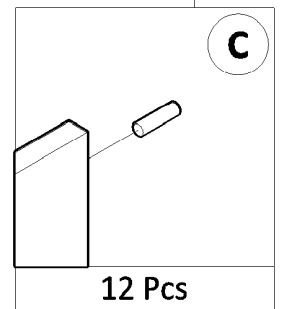
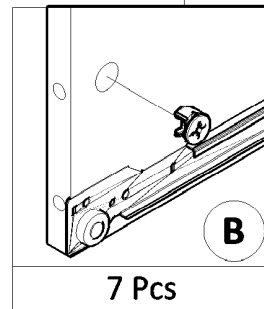
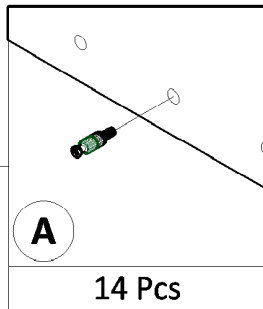
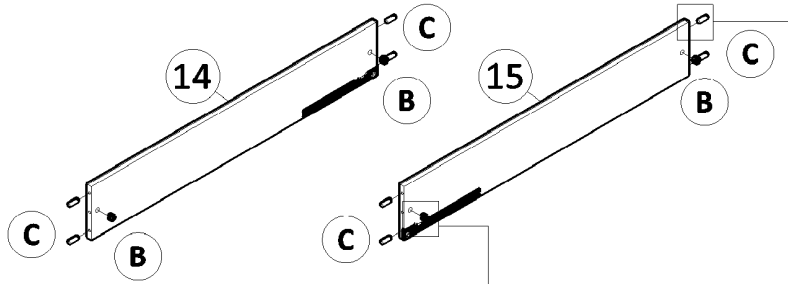
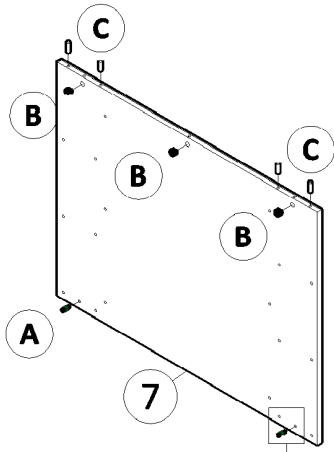


4

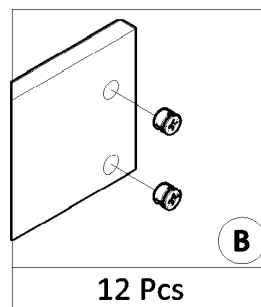
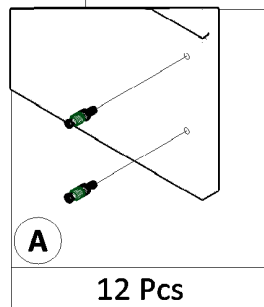
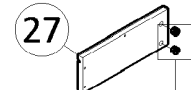
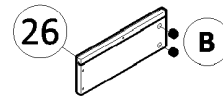
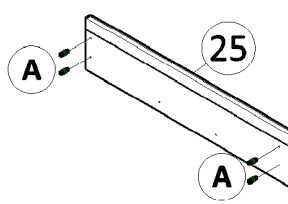
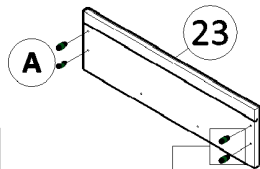
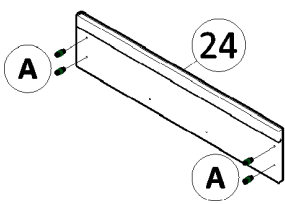


Assembly Step (Continue)

5

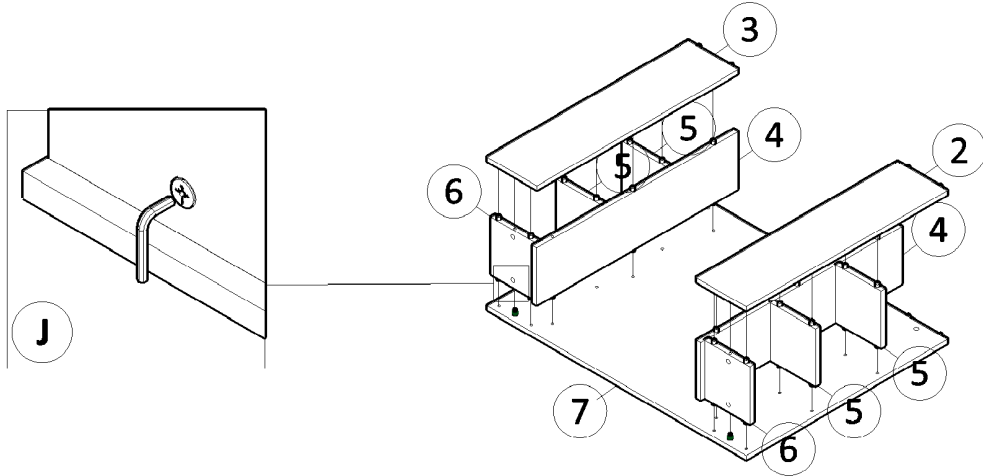


6

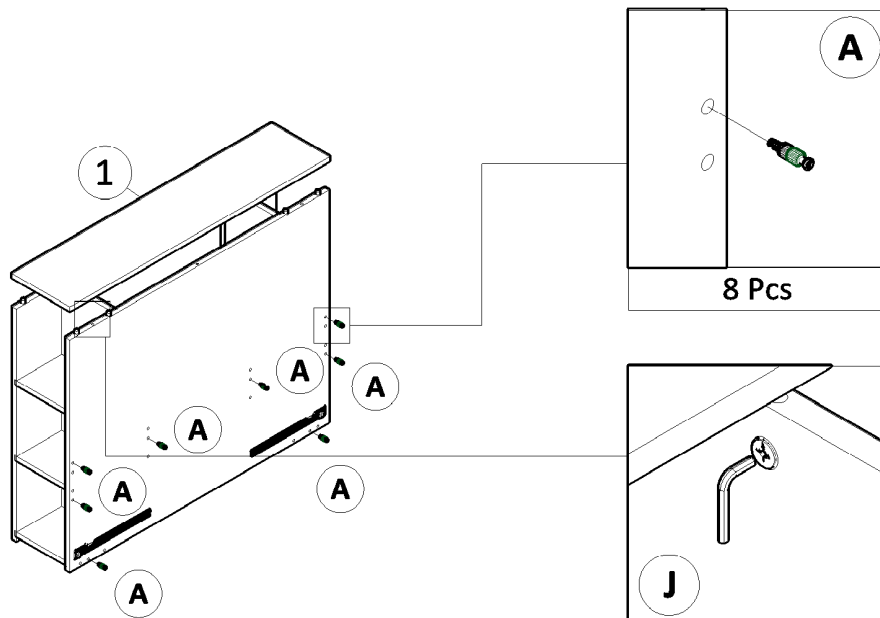


Assembly Step (Continue)

7

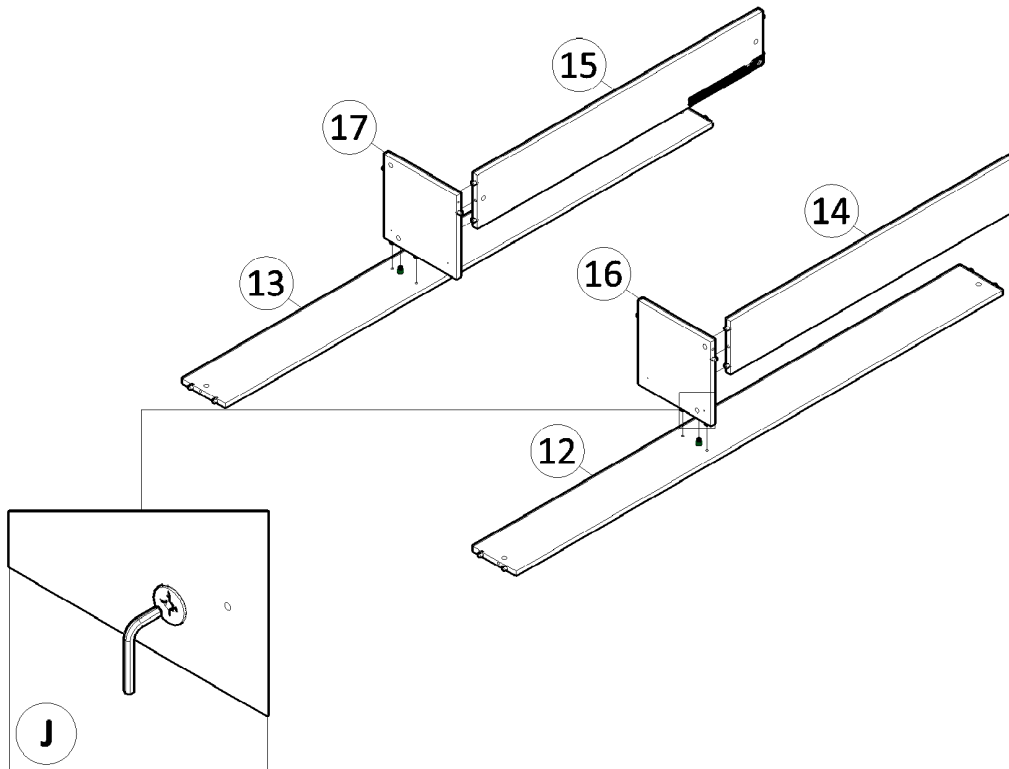


8

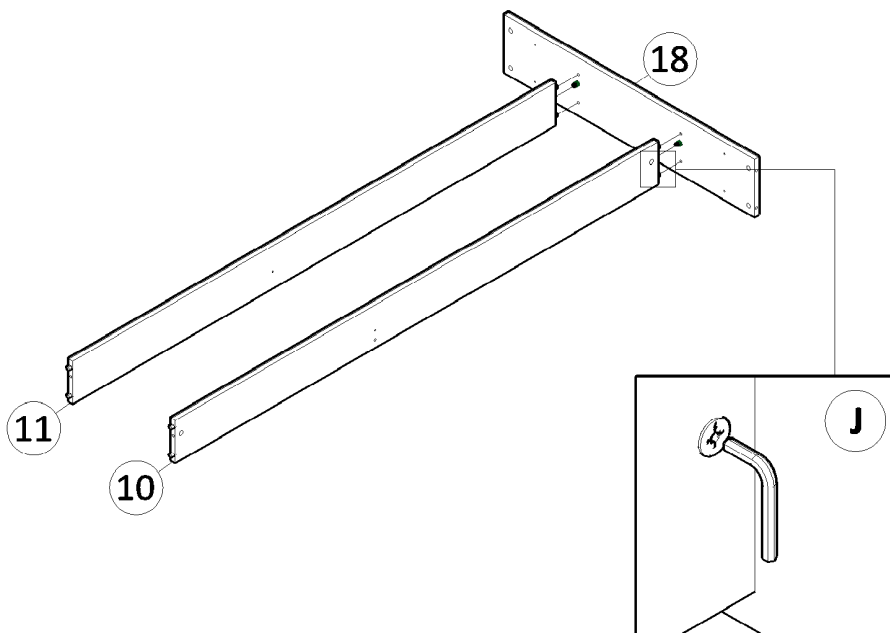


Assembly Step (Continue)

9

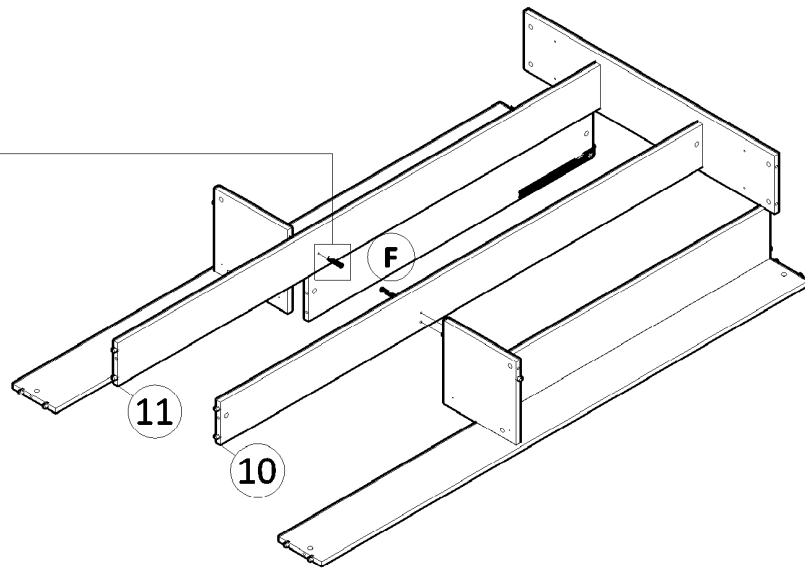
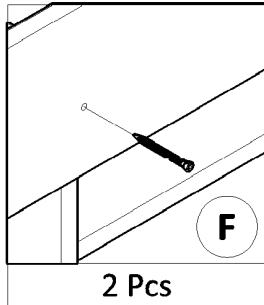


10

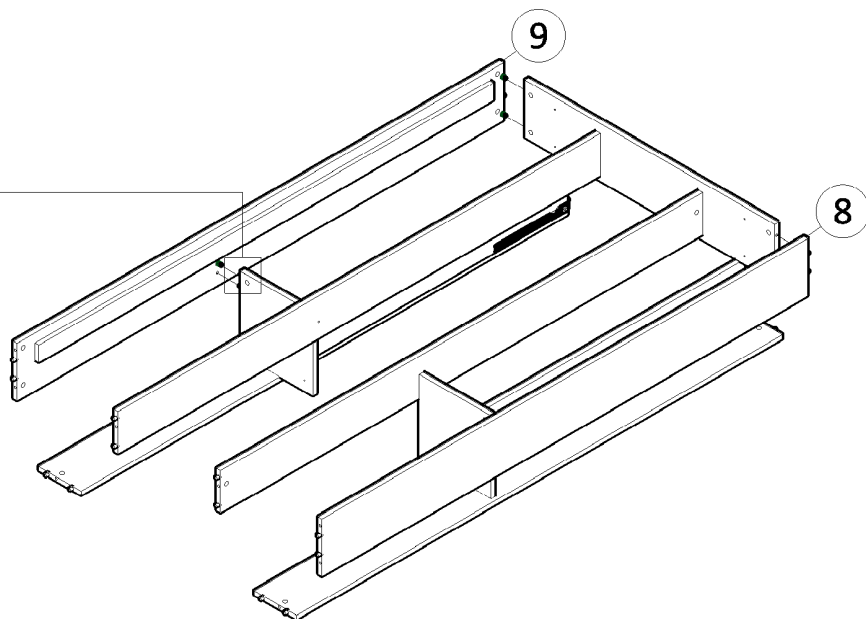
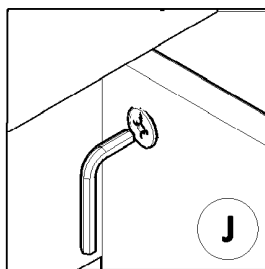


Assembly Step (Continue)

11

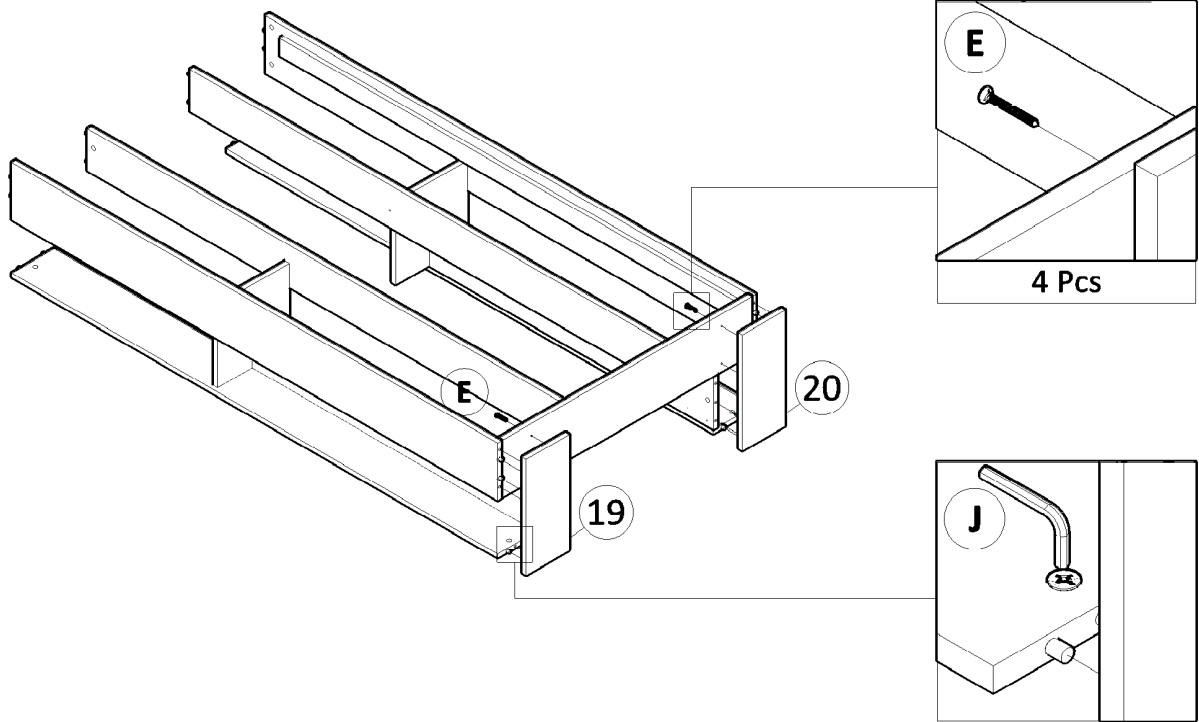


12

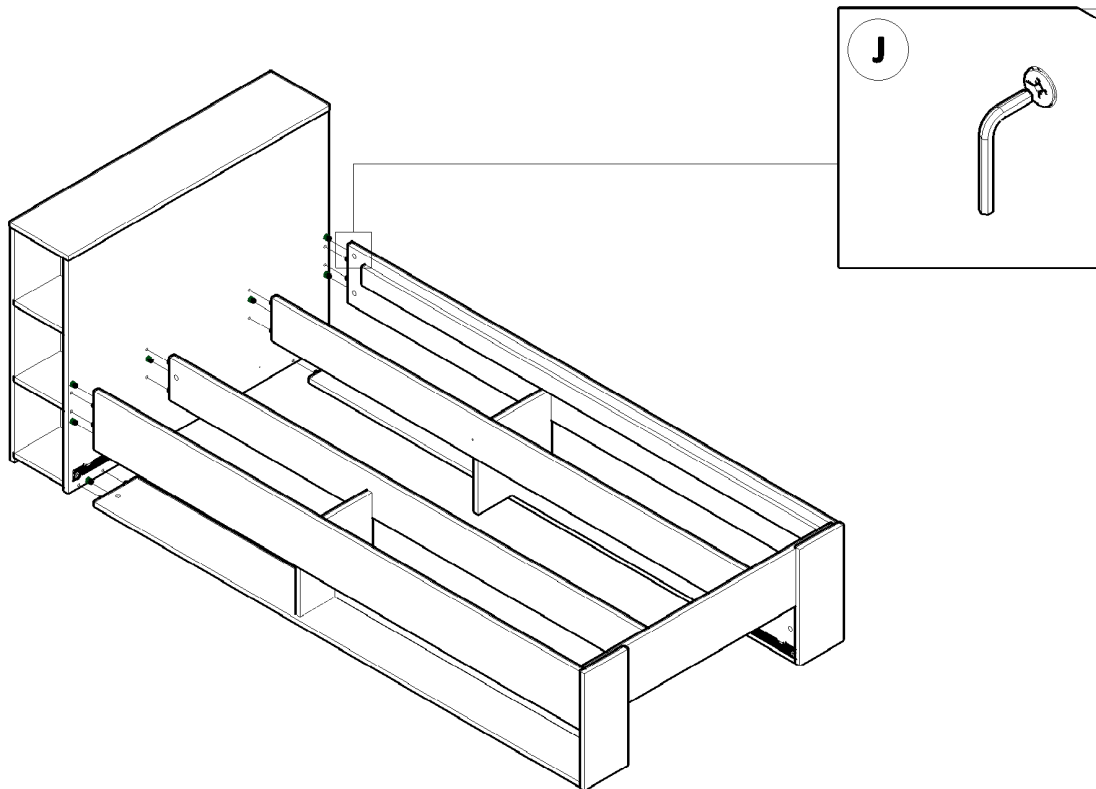


Assembly Step (Continue)

13

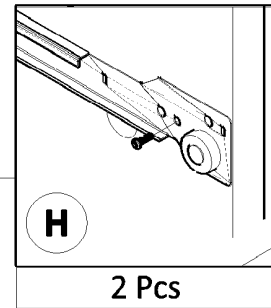
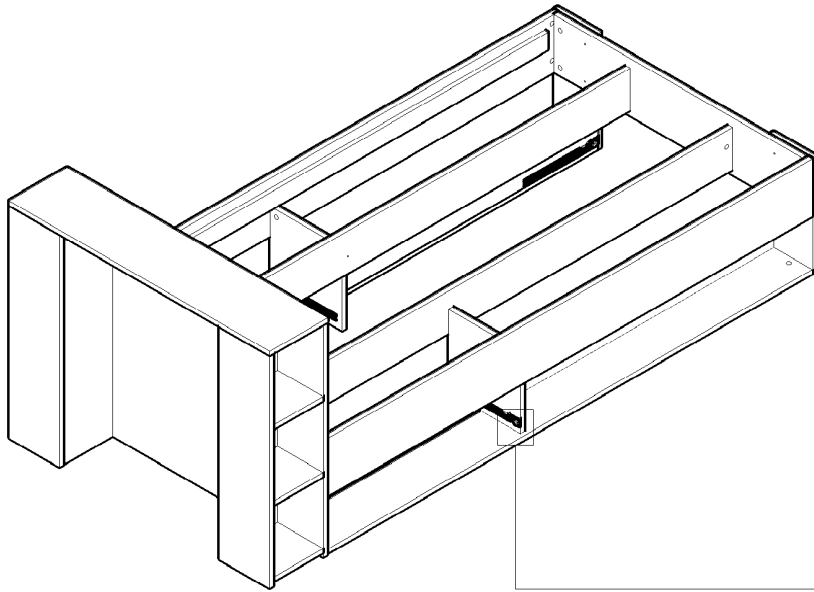


14

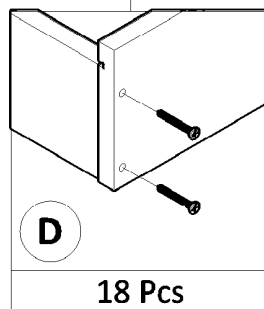
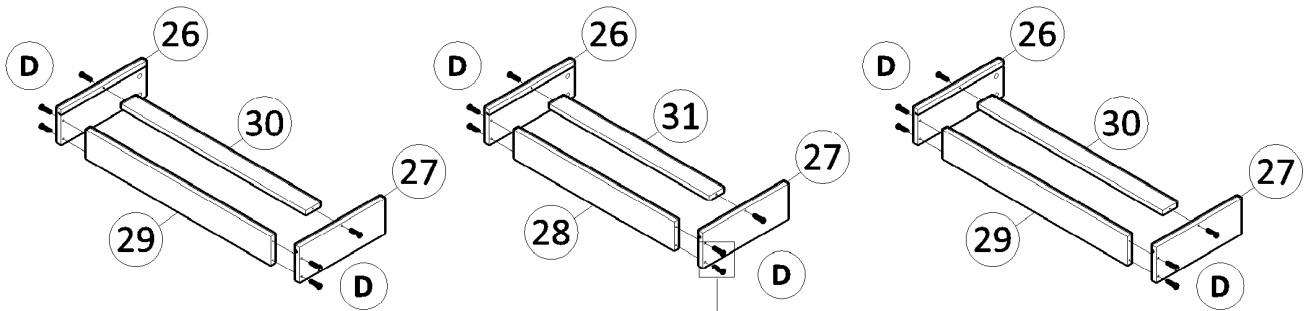


Assembly Step (Continue)

15

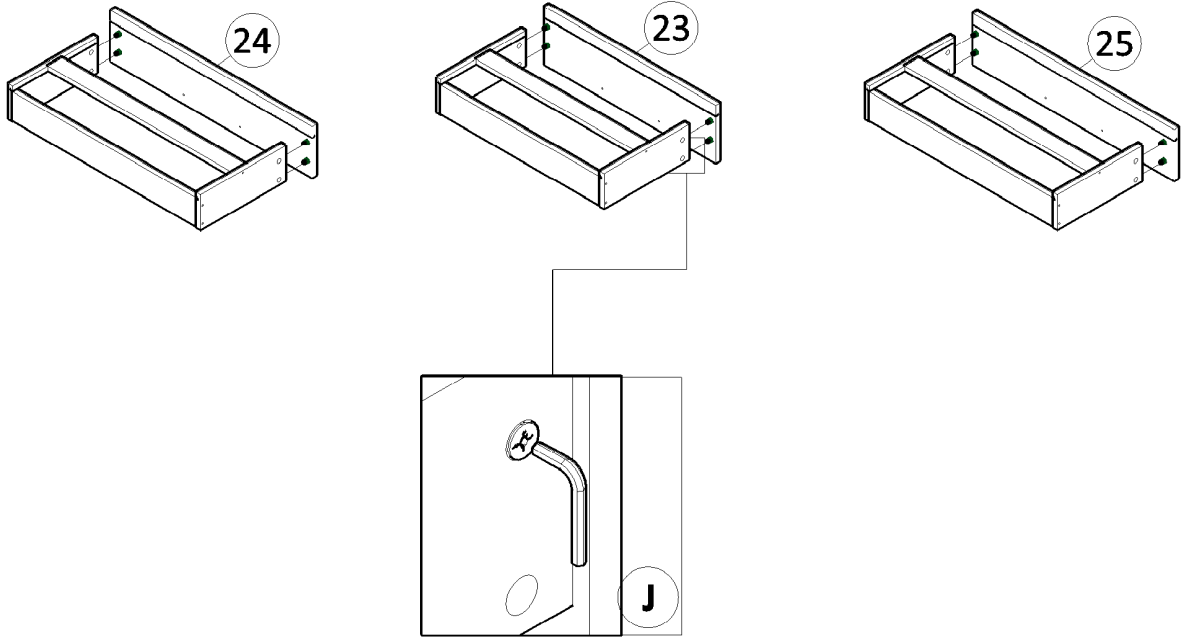


16

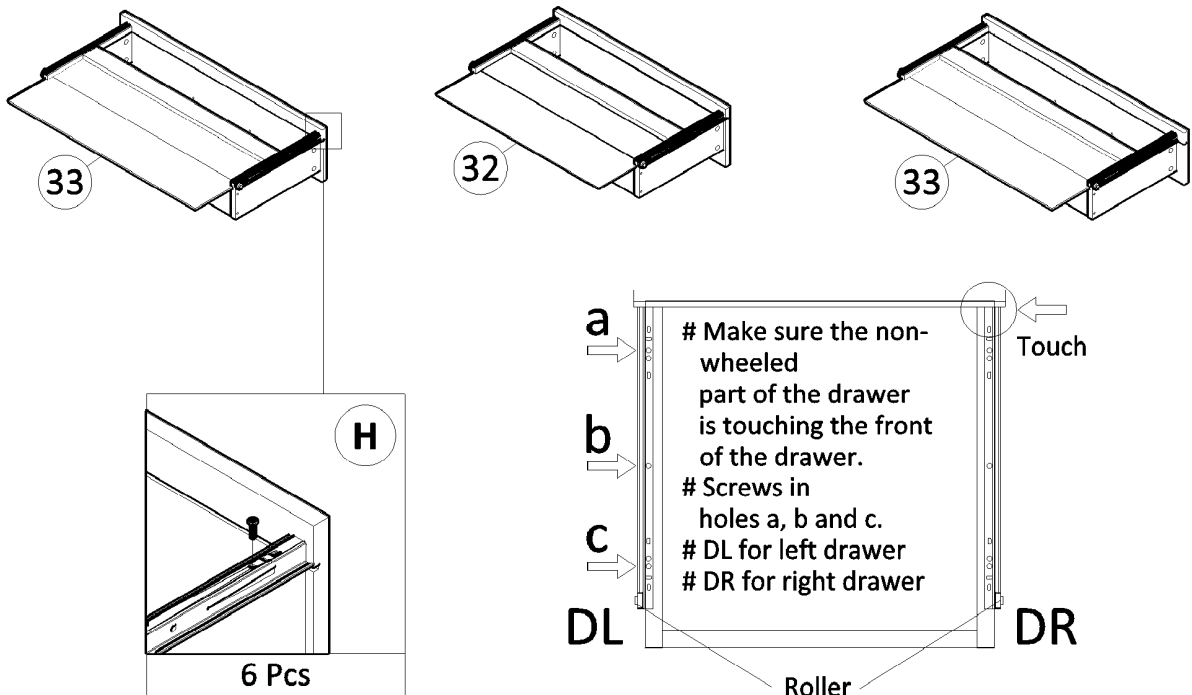


Assembly Step (Continue)

17

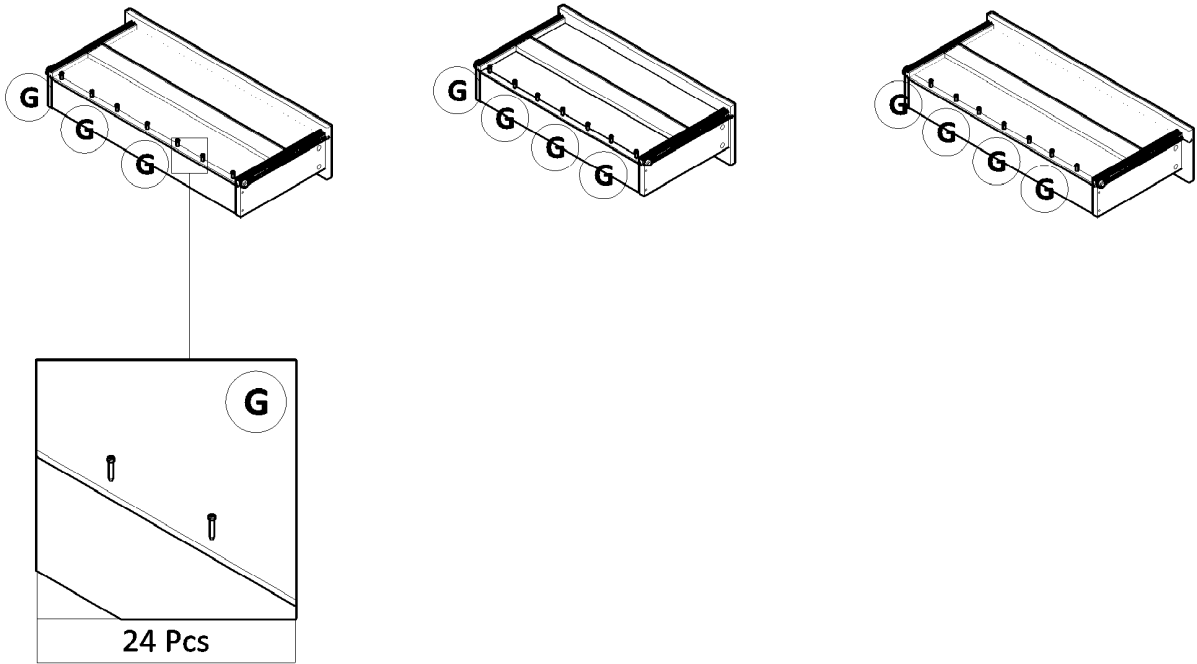


18

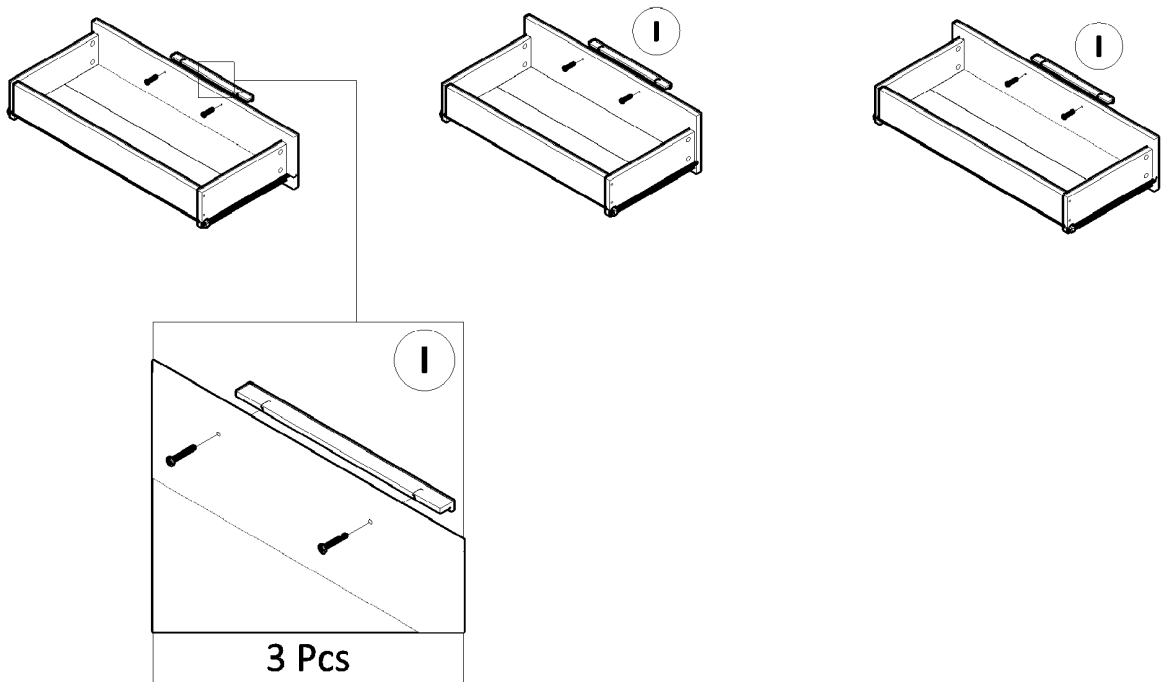


Assembly Step (Continue)

19

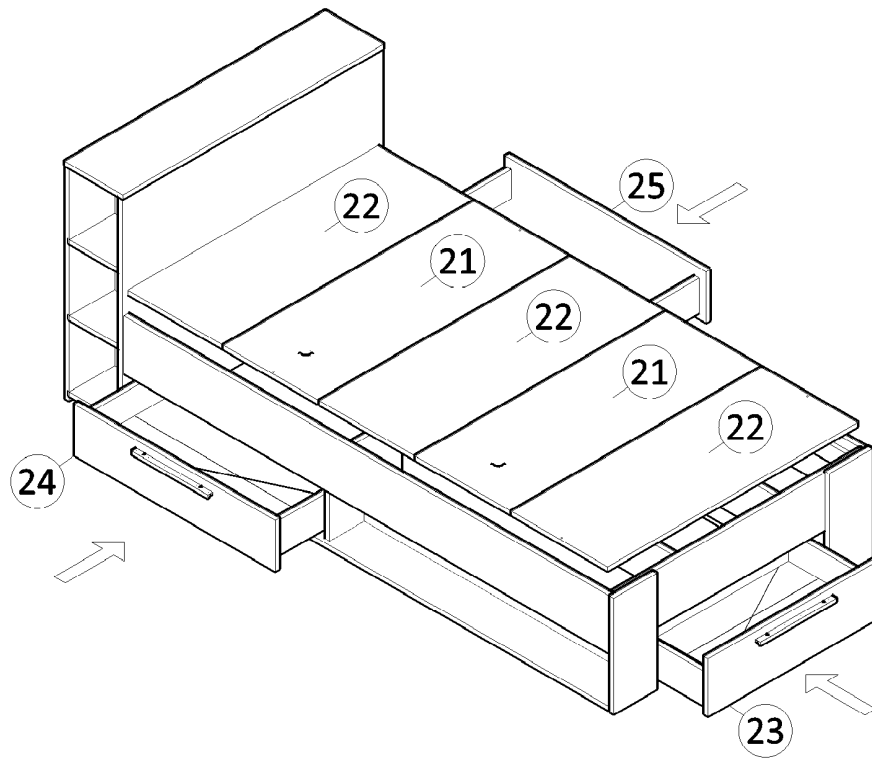


20

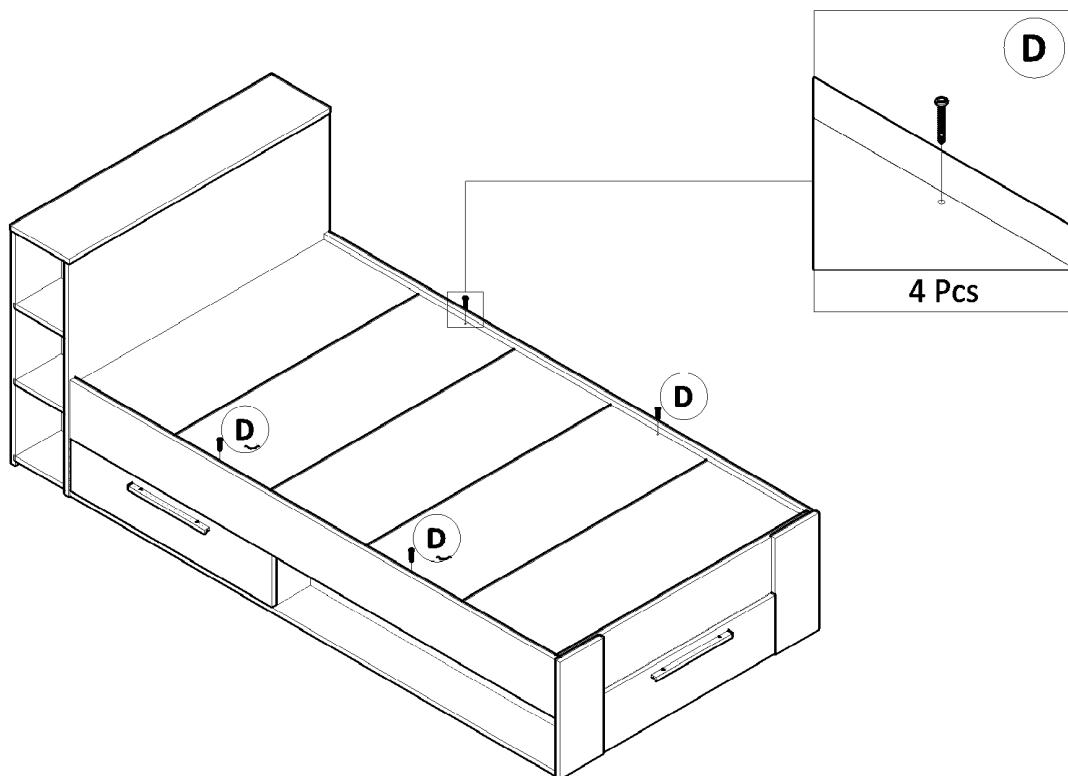


Assembly Step (Continue)

21

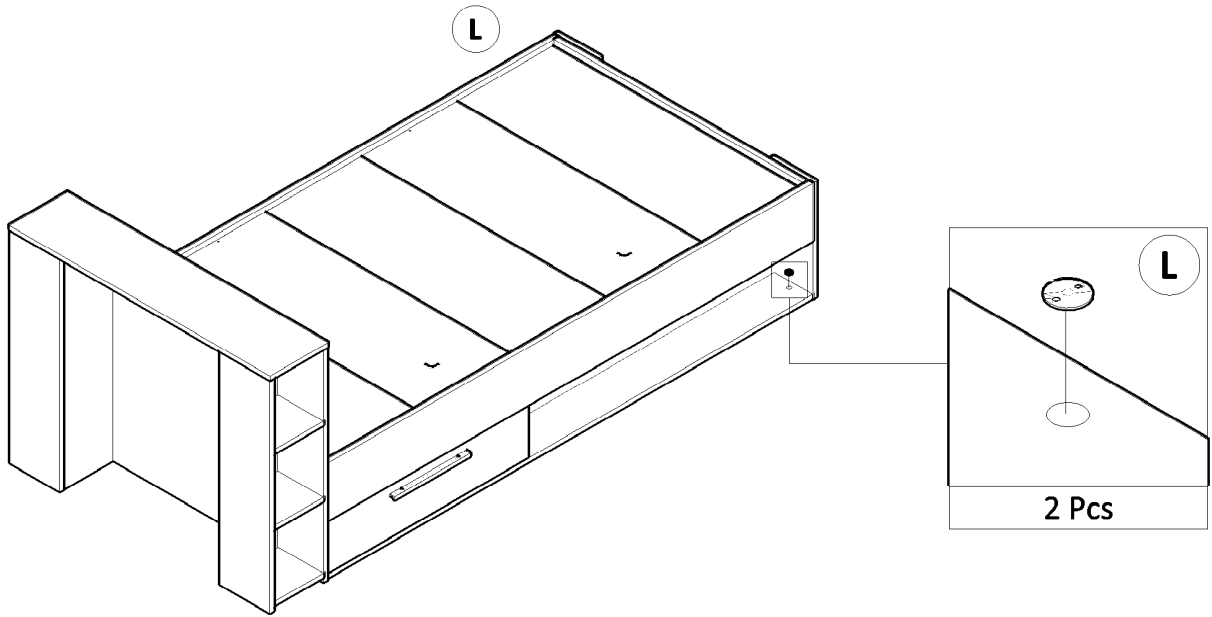


22

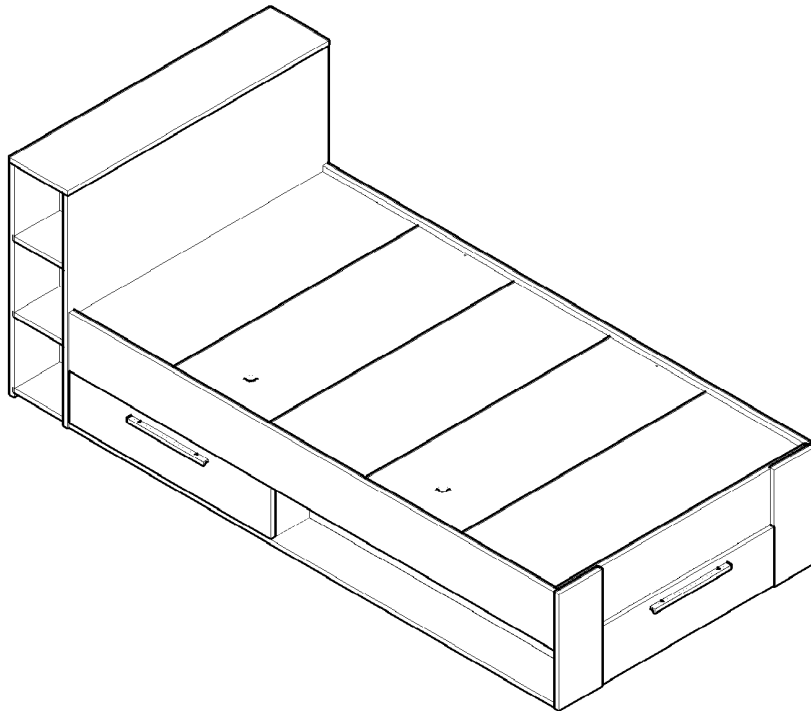


Assembly Step (Continue)

23



24 COMPLETED



Safety

Please read the below warnings before use.
Failure to follow these warnings could result in serious injury.



CAUTION !!!

Purpose

- Do not use this unit except for original application
- This unit is for household use. Do not use it for wholesale.
- This unit is for indoor use. Do not use it outside.

Assembly

- Assembling with 2 or more people is recommended
- Please assemble at a spacious and flat place
- Please place blankets or cardboard so floor or walls will not be scratched
- Please ventilate the area if there is strong glue odor after opening the product
- Please follow assembly instructions

Placing The Unit

- Store the unit on a flat surface.
- Place a mat under the unit if you place it on wood floors for floor protection
- Do not place the unit in areas where conditions are extreme, such as direct sun or a humid place
- Do not place the unit in a hot or humid area, such as near the heater or fireplace

Usage

- Please check your surroundings when you use this unit
- Do not place any hot or wet objects on the unit
- Remove all objects on the unit when you move it
- Do not leave water or wet objects on the surface.
- Do not use it for toys
- Do not stand on it or use it for a step stool.
- Do not overload only the top drawers. Load the same amount to help prevent tipping of the unit.
- Do not leave drawers open or put pressure on opened drawers to help prevent falling or wrecking.
- Do not stand or put pressure on opened drawers.
- Colors could fade
- Please open drawers slowly
- Make sure you do not catch your finger when you use the drawer.
- Weight Capacity Top insert: About **30KG** , Shelf insert: About **10KG**,
※ These are measured figures, not guaranteed figures

Cleaning

- Please check all assembled parts are tight regularly. (About once a month)
- Use dry soft cloths for dust and spots
- For heavy spots, use clothes with neutral detergent then dry in a well ventilated area.
- Do not use if any parts are broken.
- Please recycle the unit or its package depending on your city rules.