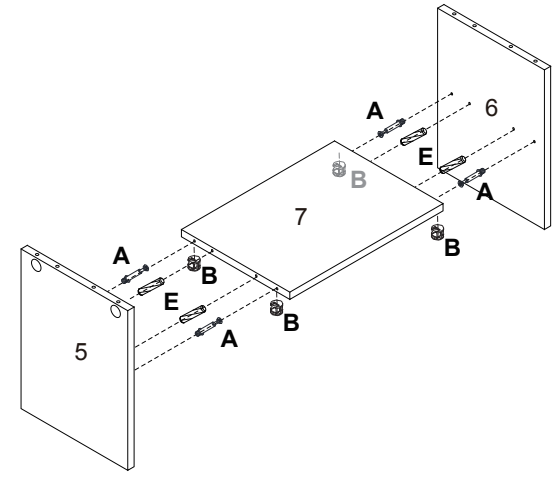
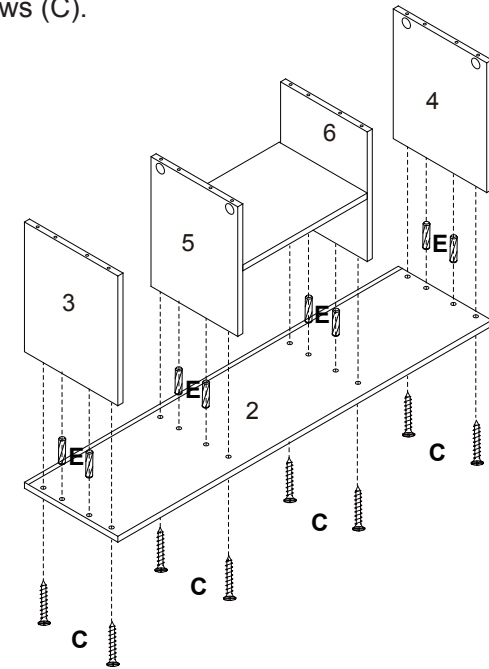


1 Attach piece 5 & 6 to piece 7 using wooden dowels (E), cam dowels (A) and cam locks (B).

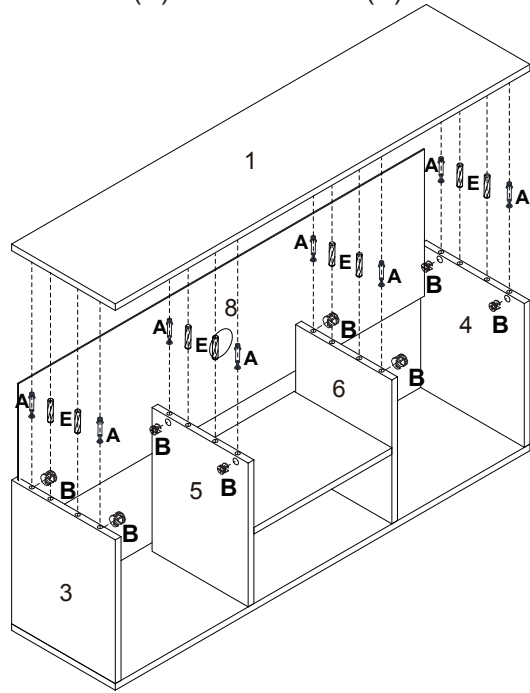


A		12 PCS
B		12 PCS
C		8 PCS
D		24 PCS
E		20PCS
F		4 PCS
G		2 PCS
H		6 PCS
I		4 PCS
J		16PCS
K		4 PCS

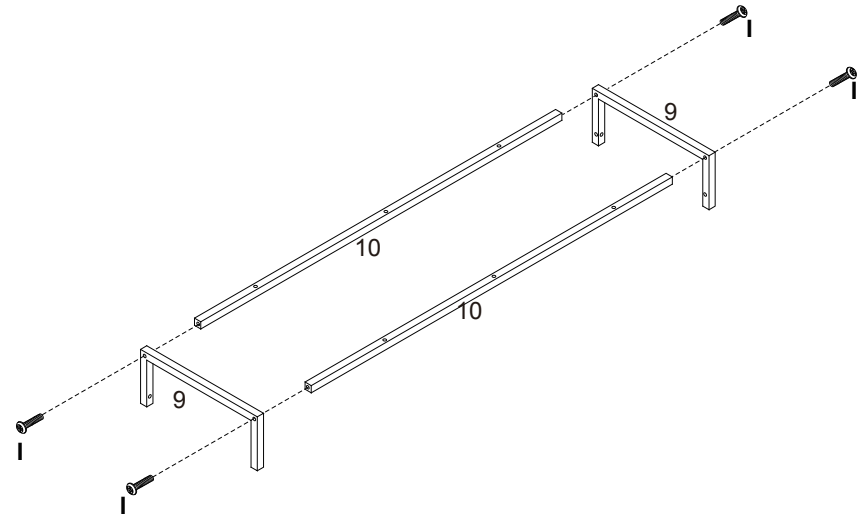
2 Attach piece 3 & 4 and assembled 5,6,7 piece to piece 2 using wooden dowels (E), screws (C).



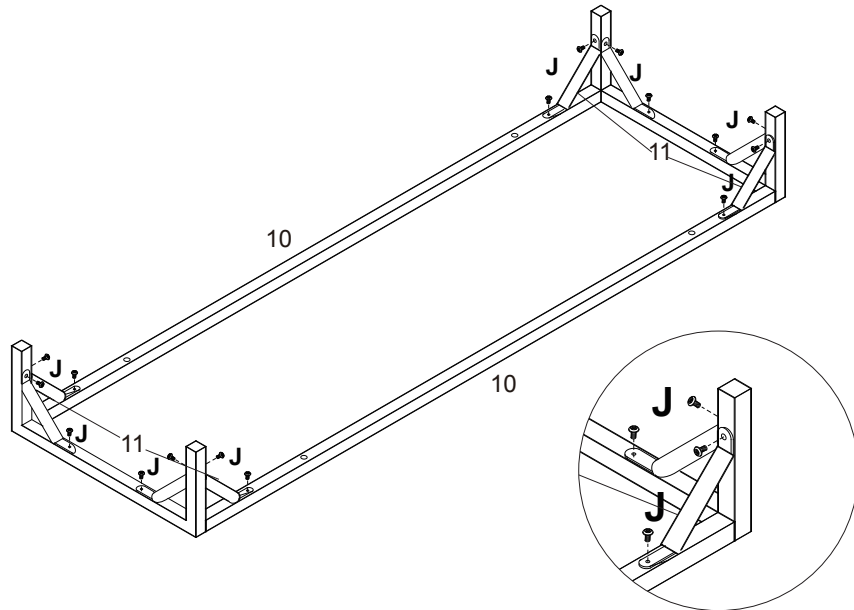
- 3** Slot piece 8 into the ridges, then attach piece 1 to the unit using wooden dowels (E), cam dowels (A) and cam locks (B).



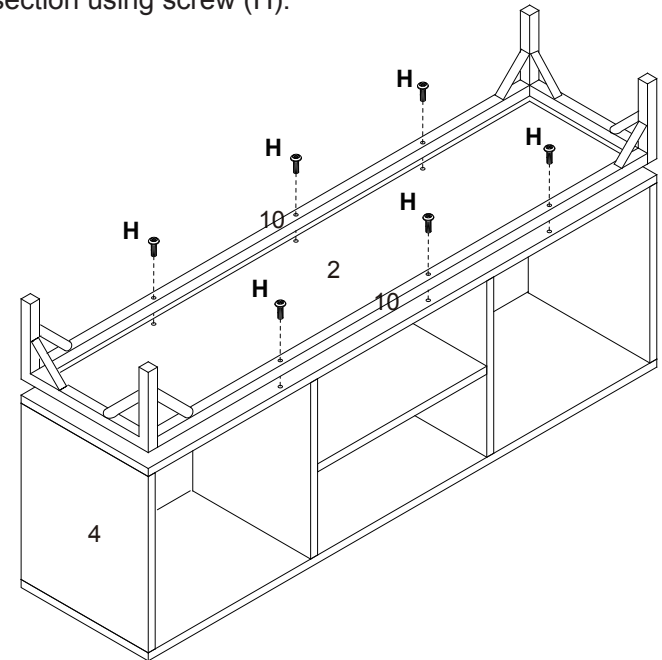
- 4** Attach piece 9 to piece 10 using screw (I).



- 5** Attach piece 11 to metal base using screw (J).

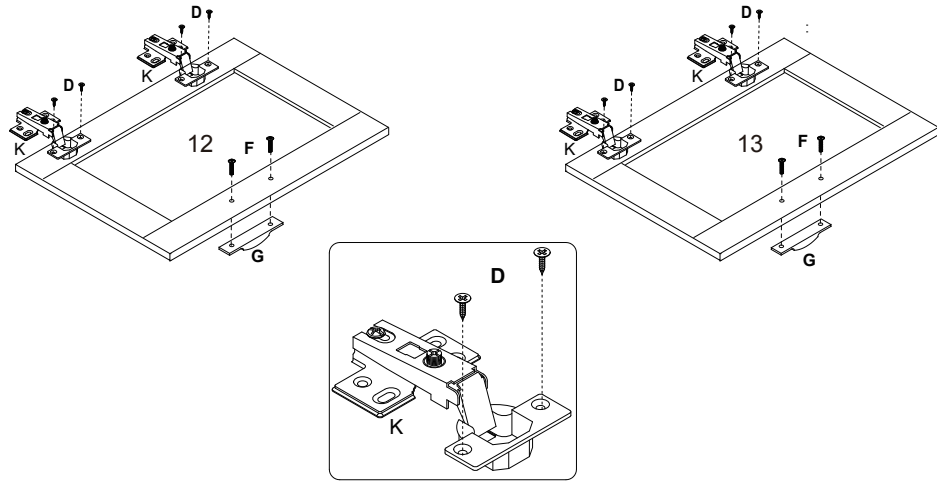


- 6** Attach 2 section using screw (H).

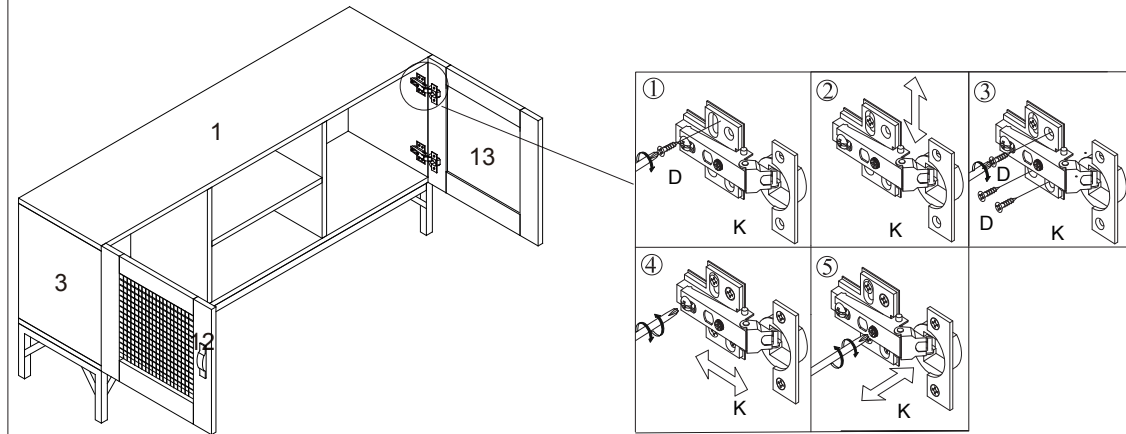


7

On piece 12 & 13, attach the hinge (K) using screws (D), attach the door handles (G) using screws (F)

**8**

Attach piece 12 & 13 to unit using screws (D), adjust the hinge as shown to ensure the door in right position.

**9**

The unit should now be assembled and ready to use.

