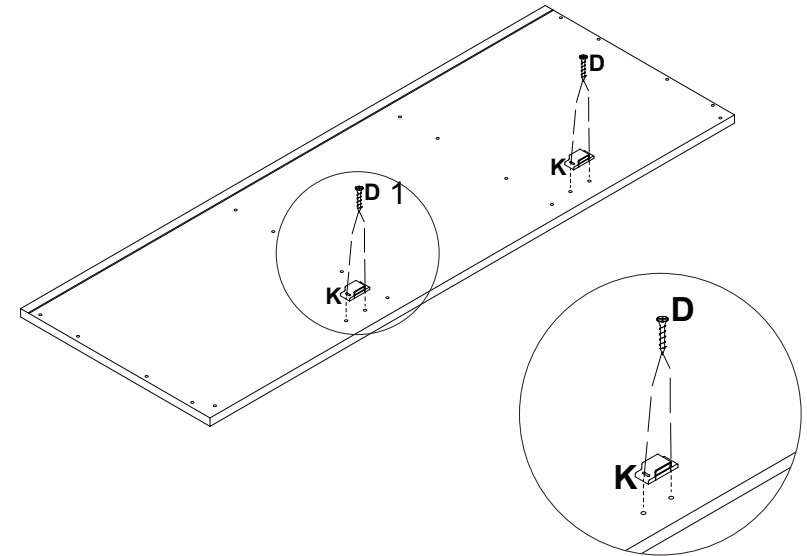


1

On piece 1, secure the catch (K) using screws (D). Use the pre-drilled holes for guidance.

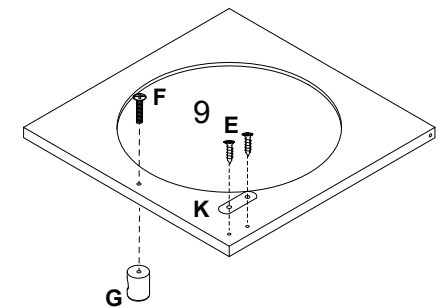
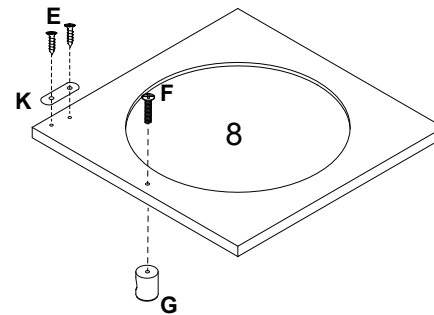


A		8 PCS
B		8 PCS
C		12PCS
D		4 PCS
E		4 PCS
F		2 PCS
G		2 PCS
H		10PCS
I		6 PCS
J		20PCS
K		2 PCS

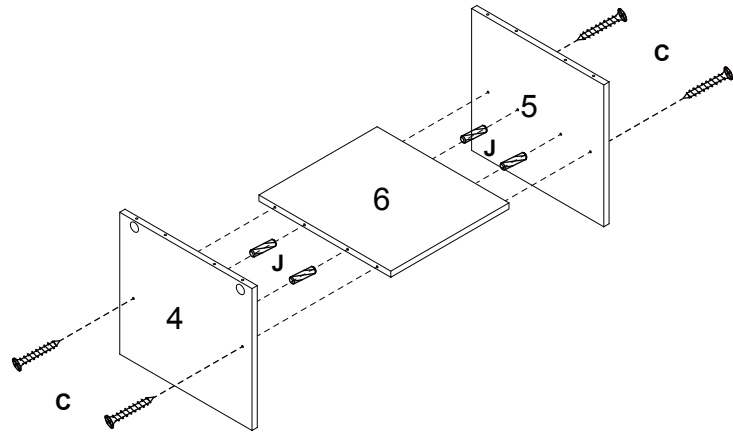
L		4 PCS
M		1 PCS

2

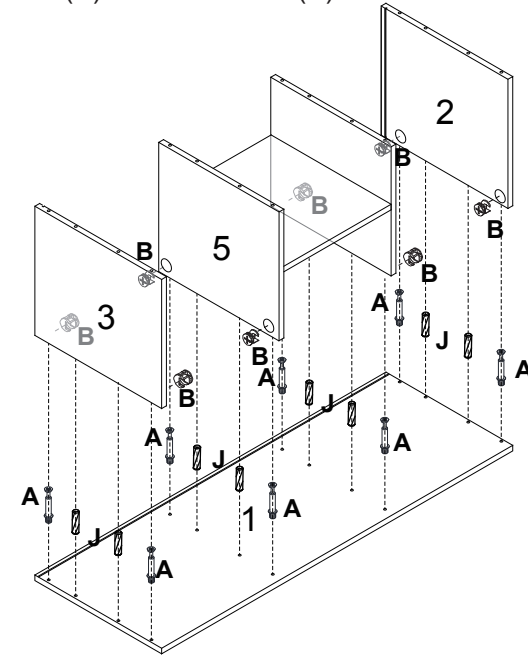
On piece 8 & 9, attach the plates (K) using screws (E), attach the door handles (G) using screws (F)



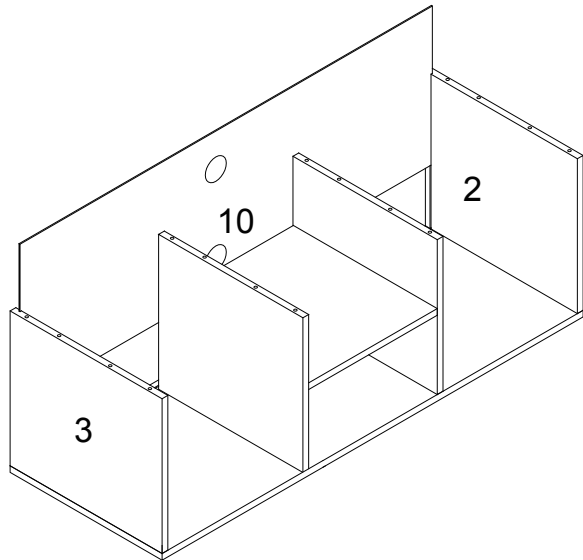
3 Attach piece 4 & 5 to piece 6 using wooden dowels (J), screw (C).



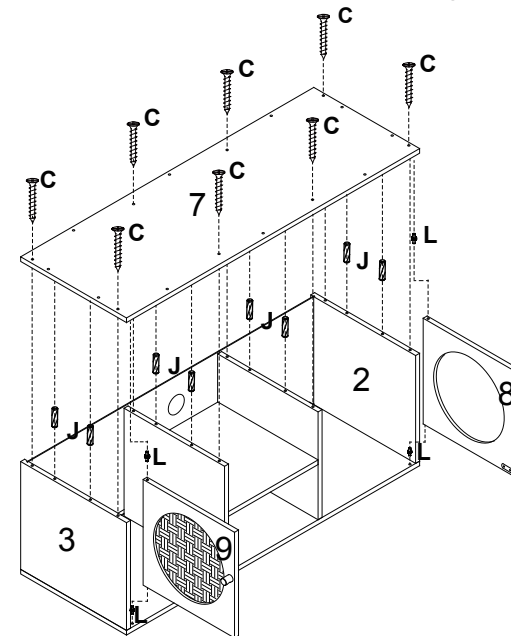
4 Attach section, piece 2 & 3 to piece 1 using wooden dowels (J), cam dowels (A) and cam locks (B).



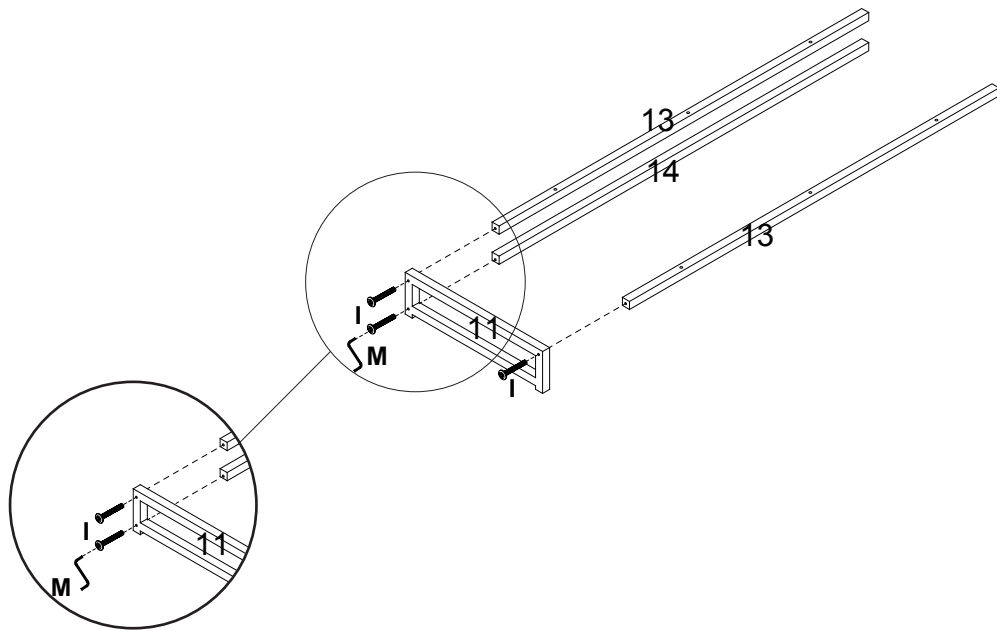
5 Slot piece 10 into the ridges.



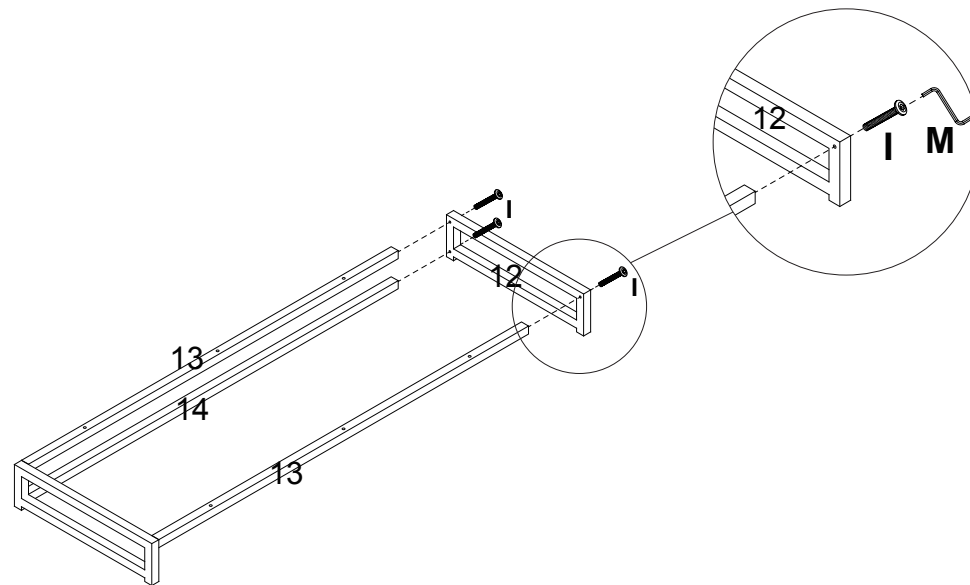
6 Attach piece 7 to the unit using wooden dowels (J), cam dowels (A) and cam locks (B). Connect door 8 & 9 using bar hinges (L).



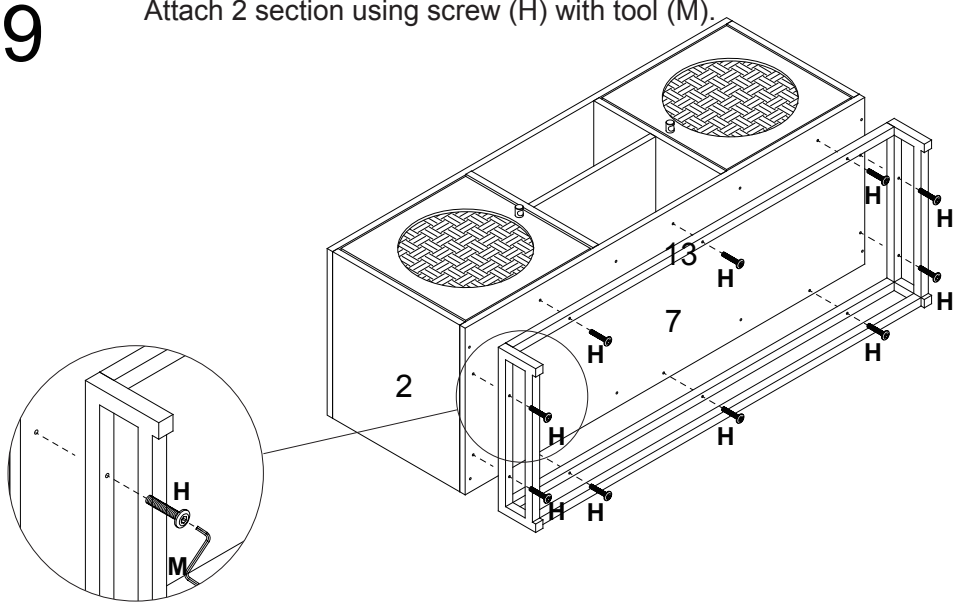
7 Attach piece 13 & 14 to piece 11 using screw (I) with tool (M).



8 Attach piece 13 & 14 to piece 12 using screw (I) with tool (M).



9 Attach 2 section using screw (H) with tool (M).



10 The unit should now be assembled and ready to use.

