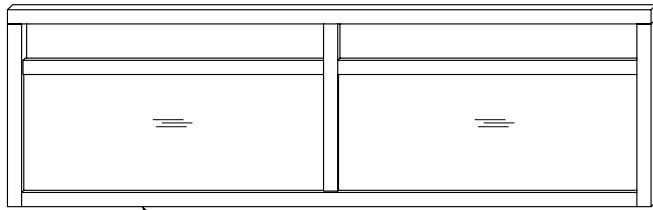


0068 King Headboard

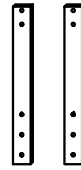
Assembly Instructions

WI-1220

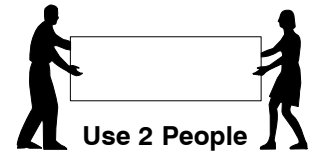
1 Parts List



A Headboard Panel x 1



B
Support Bars x 2



2 Hardware List



1 M6 x 35mm JCB
x 8



2 Spring Washer
x 8



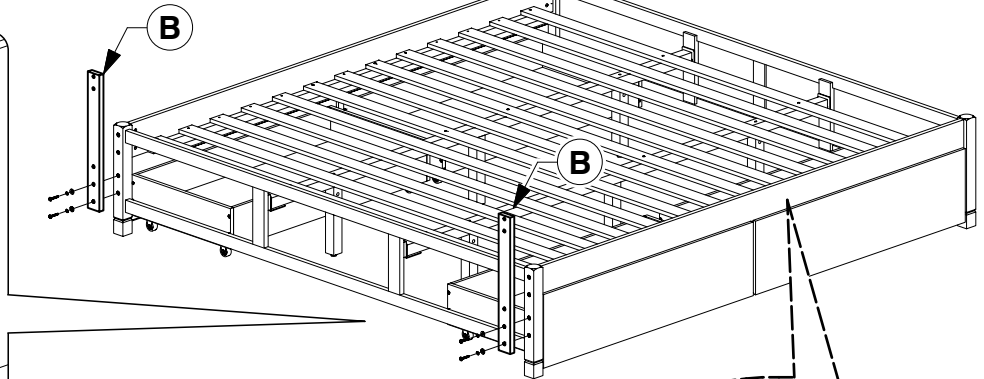
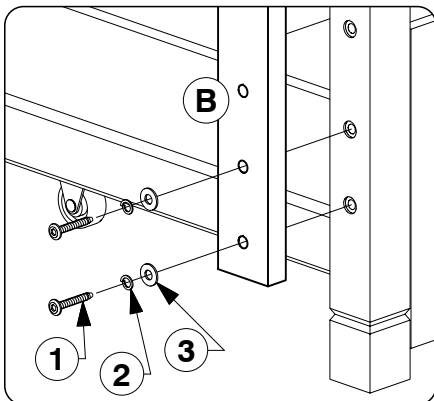
3 Flat Washer
x 8



4 Allen Key
x 1

Note: Do not assemble using power tools. This can cause the bolts to be overtightened

3 Assemble the Support Bars (B) to the Headboard Panel.



✓ Bed frame to be bought separately.

4 Assemble the Headboard Panel (A) to the Support Bars (B).

