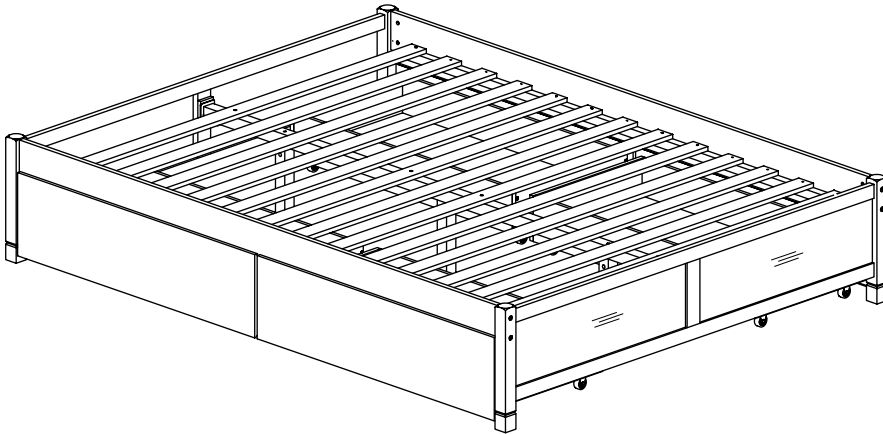


0068 4D Queen Bed

Assembly Instructions

WI-1220

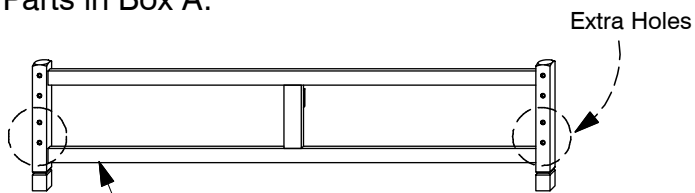
1 Assembled View



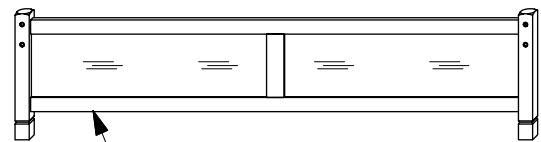
Note: Do not assemble using power tools. This can cause the bolts to be overtightened

2 Parts List

Parts in Box A:



A Headboard Panel x 1



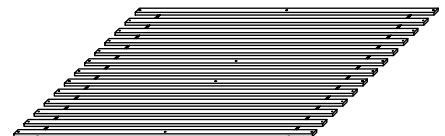
B Footboard Panel x 1



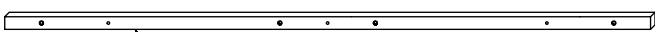
C Side Rail x 2



E Support Leg x 3

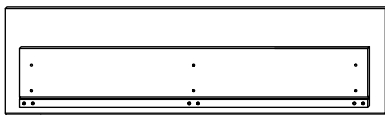


F Set of Bed Slats x 1



D Long Support x 1

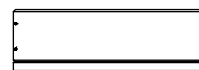
Parts in Box B:



G Drawer Face x 4



J Drawer Back x 4

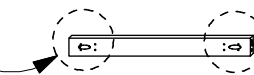


K Drawer Side x 8



H Drawer Bottom x 4

Extra holes



L Drawer Rail (Left & Right) x 8



M Drawer Rail (Center) x 4

0068 4D Queen Bed

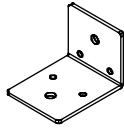
Assembly Instructions

WI-1220

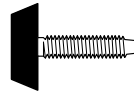
3 Hardware List



1 M4 Allen Key
x 1



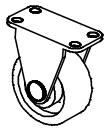
2 Center Rail
Bracket x 2



3 Adjustable
Foot x 3



4 Barrel
Nut x 11



5 Wheel
x 16



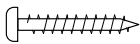
6 Wood Dowel
(M8 x 30mm)
x 48



7 Wood Dowel
(M10 x 40mm)
x 4



8 Wood Screw
(M4 x 16mm)
x 64



9 Wood Screw
(M4 x 32mm)
x 74



10 M6 x
15mm JCB
x 4

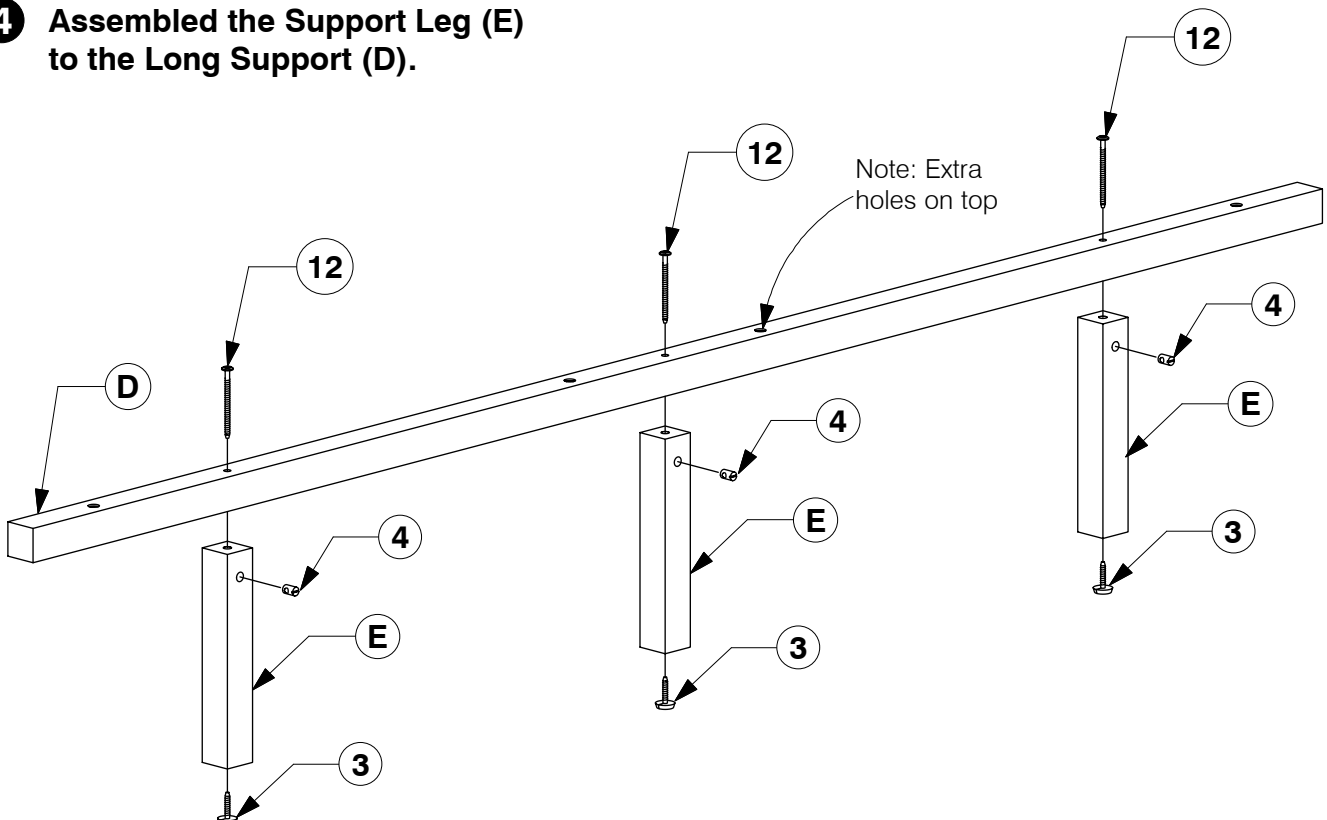


11 M6 x
40mm JCB
x 12



12 M6 x 90mm JCB
x 11

4 Assembled the Support Leg (E) to the Long Support (D).



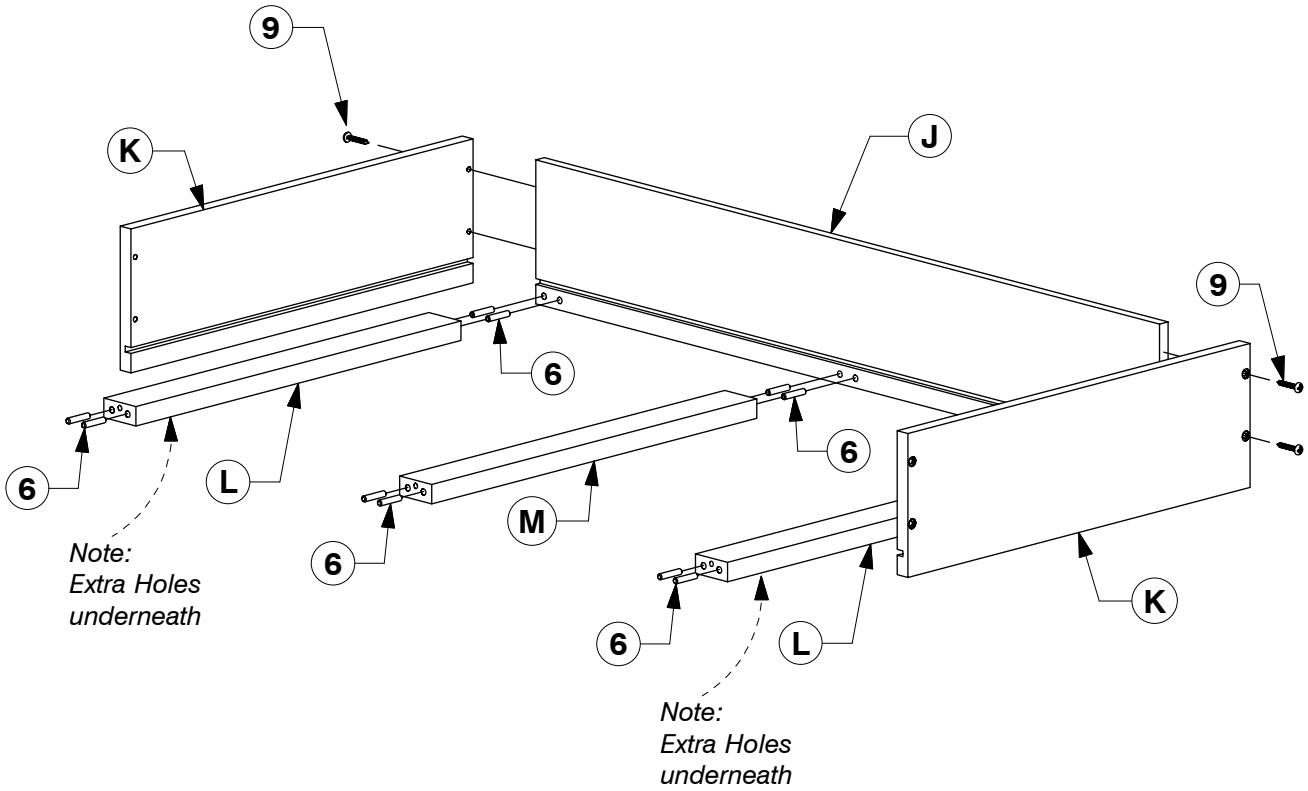
0068 4D Queen Bed

Assembly Instructions

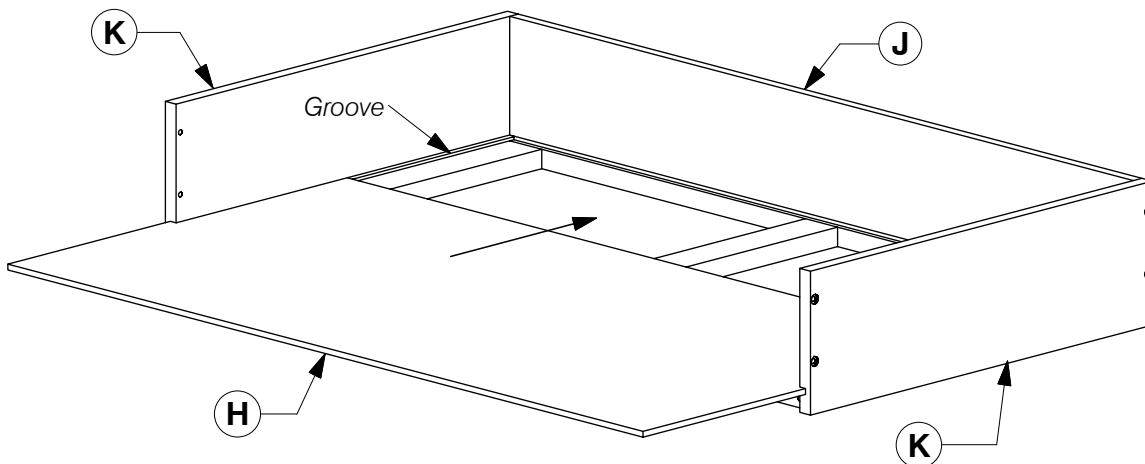
WI-1220

- 5** Assemble the Drawer Side (K) and Drawer Rail (L & M) to the Drawer Back (J).

x4



- 6** Slide the Drawer Bottom (H) onto the groove on the Drawer Sides (K).

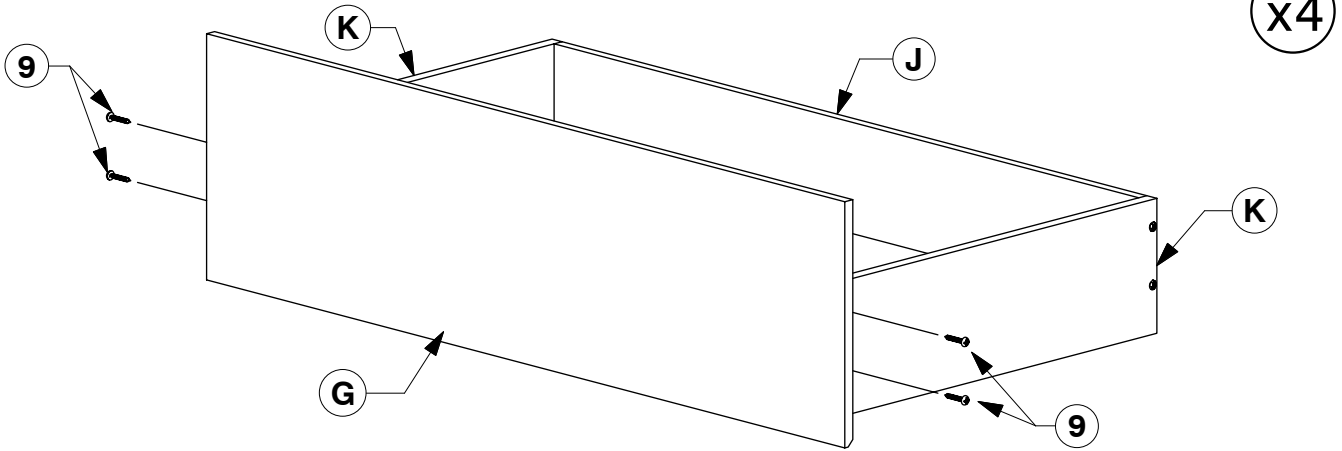


0068 4D Queen Bed

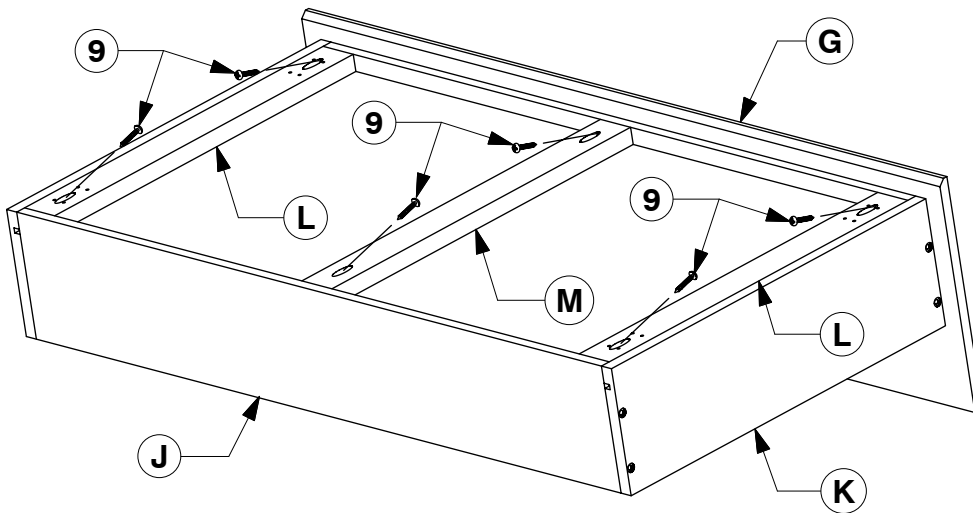
Assembly Instructions

WI-1220

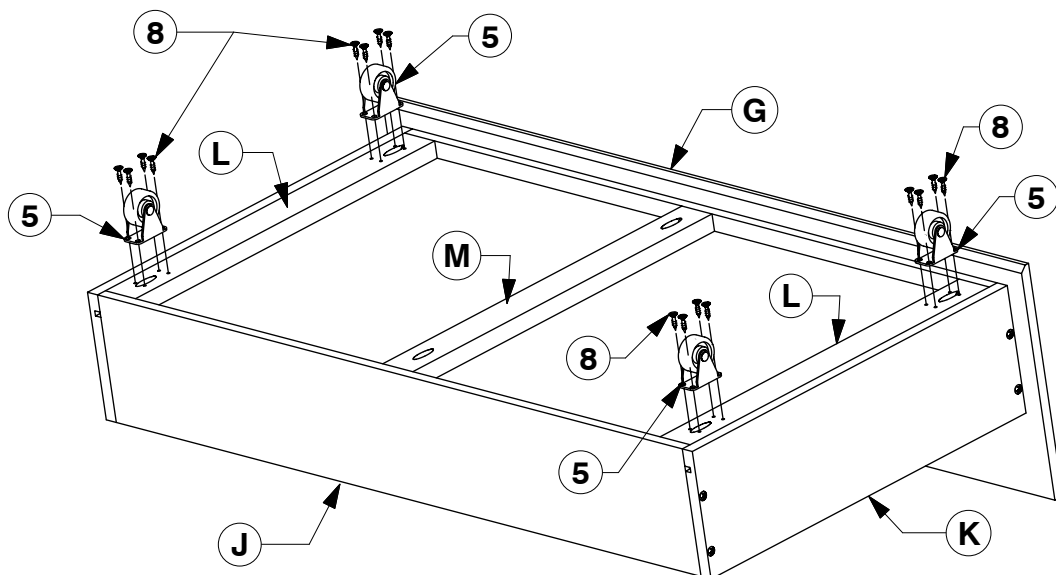
- 7** Assemble the Drawer Face (G) to the Drawer Sides (K).



- 8** Turn the Drawer over to fit angled 32mm Wood Screws (9) to the Drawer Rails (L & M).



- 9** Fit the Wheels (5) to the Drawer Rail (L).



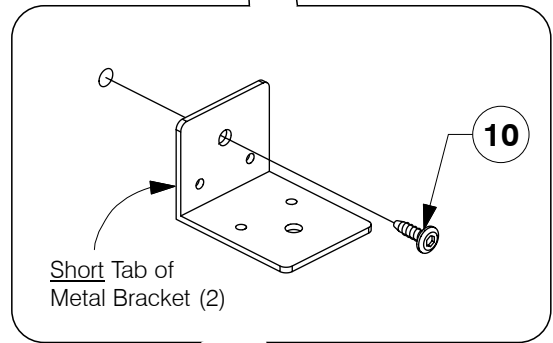
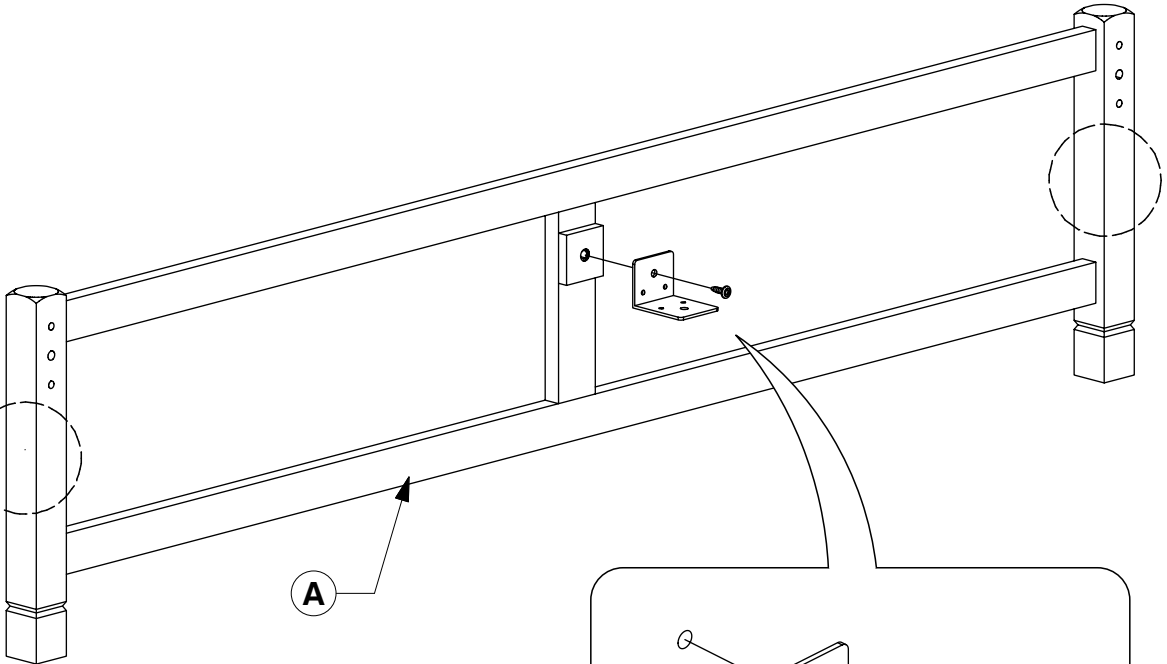
0068 4D Queen Bed

Assembly Instructions

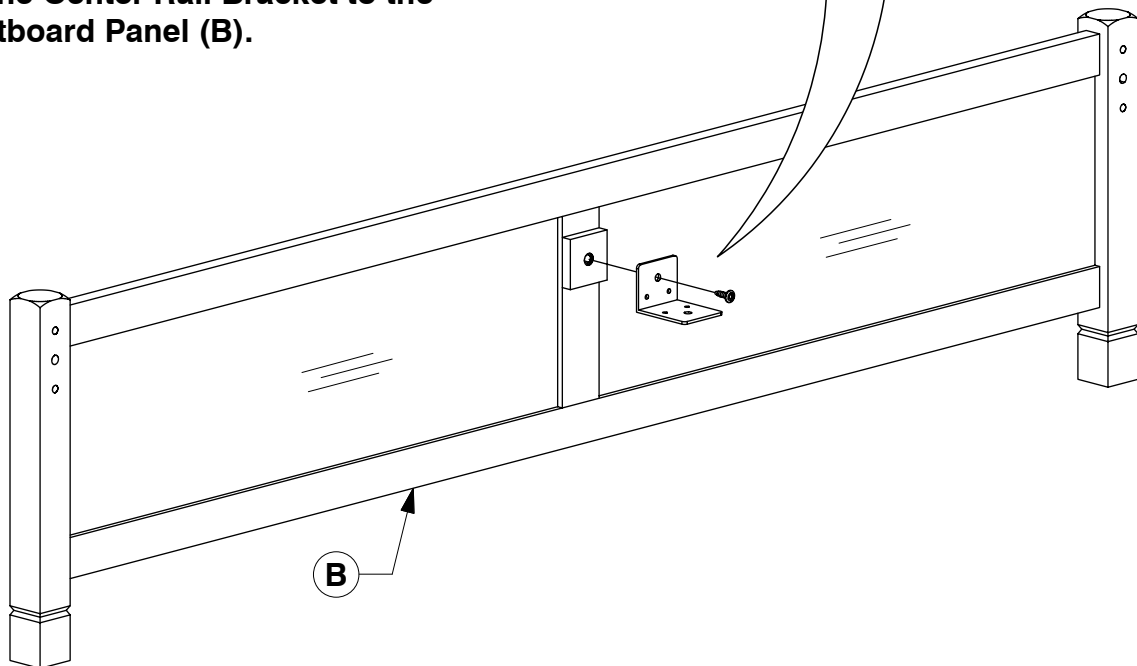
WI-1220

- 10** Fit the Center Rail Bracket to the Headboard Panel (A).

Note:
Extra Holes
on the outside



- 11** Fit the Center Rail Bracket to the Footboard Panel (B).

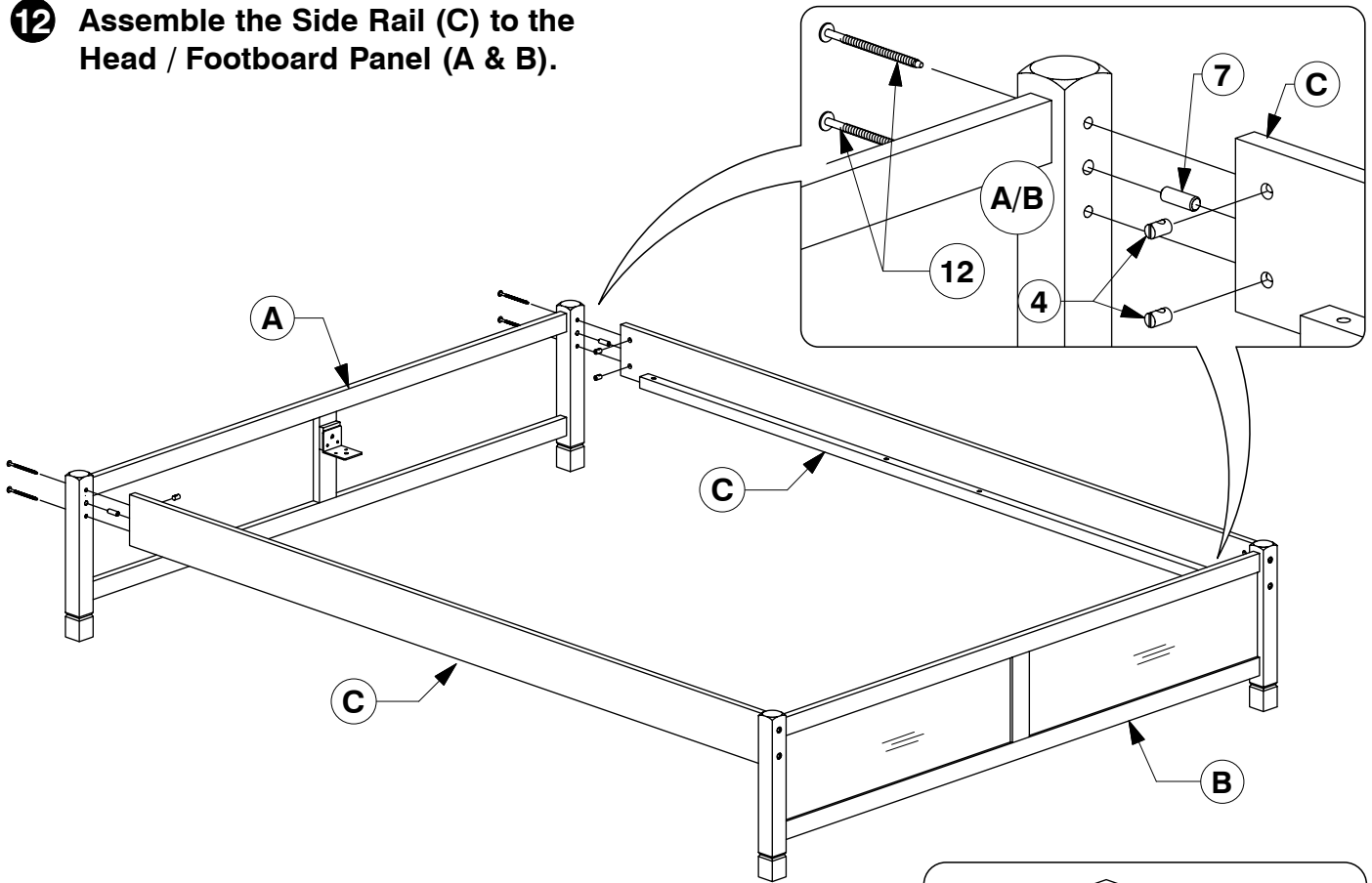


0068 4D Queen Bed

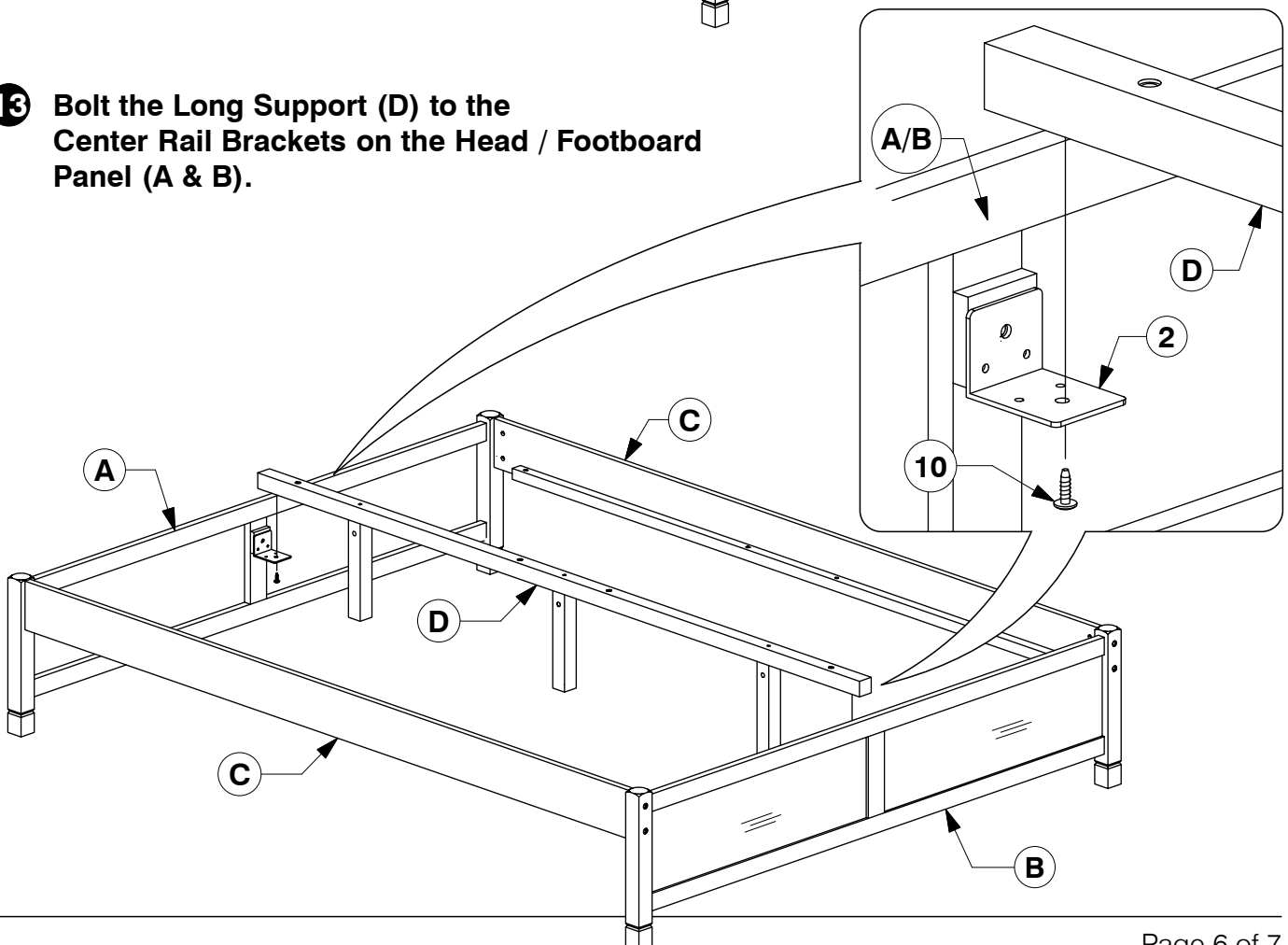
Assembly Instructions

WI-1220

- 12** Assemble the Side Rail (C) to the Head / Footboard Panel (A & B).



- 13** Bolt the Long Support (D) to the Center Rail Brackets on the Head / Footboard Panel (A & B).

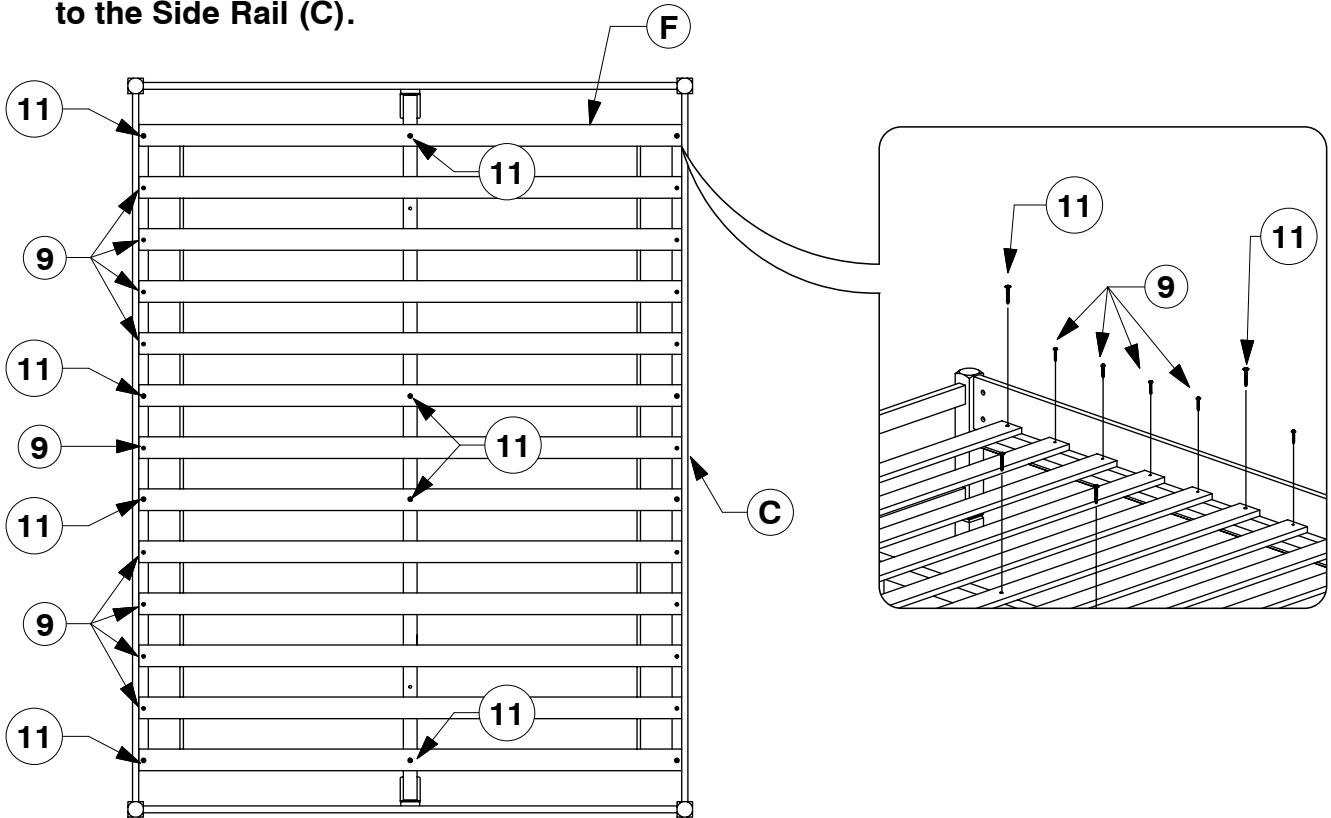


0068 4D Queen Bed

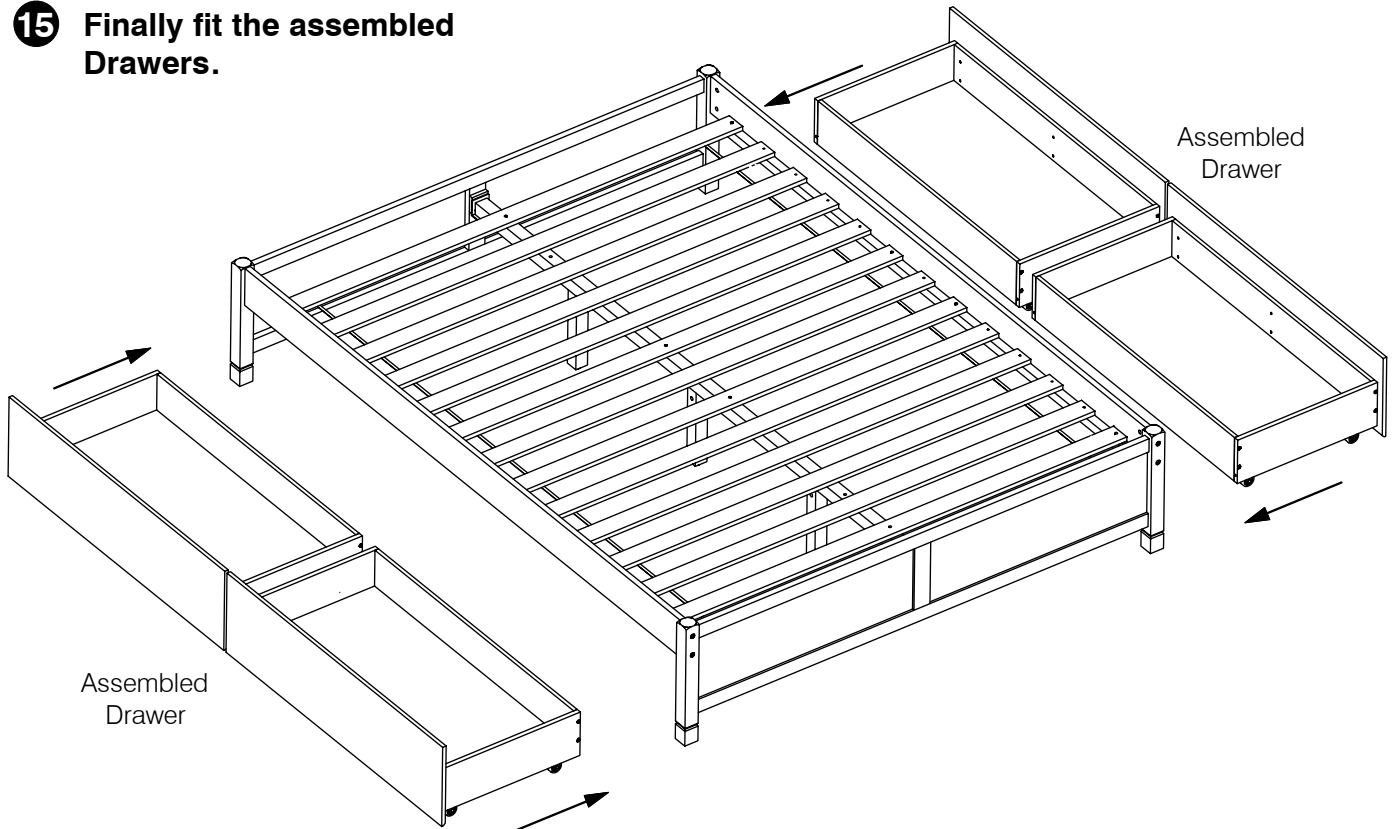
Assembly Instructions

WI-1220

- 14** Bolt & screw the Bed Slats (F) to the Side Rail (C).



- 15** Finally fit the assembled Drawers.

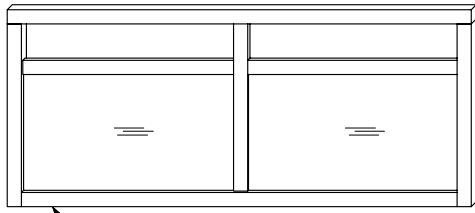


0068 Full / Queen Headboard

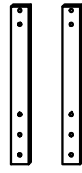
Assembly Instructions

WI-1220

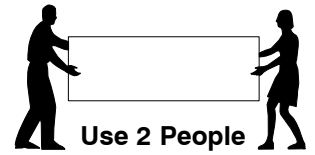
1 Parts List



A Headboard Panel x 1



B
Support Bars x 2



2 Hardware List



1 M6 x 35mm JCB
x 8



2 Spring Washer
x 8



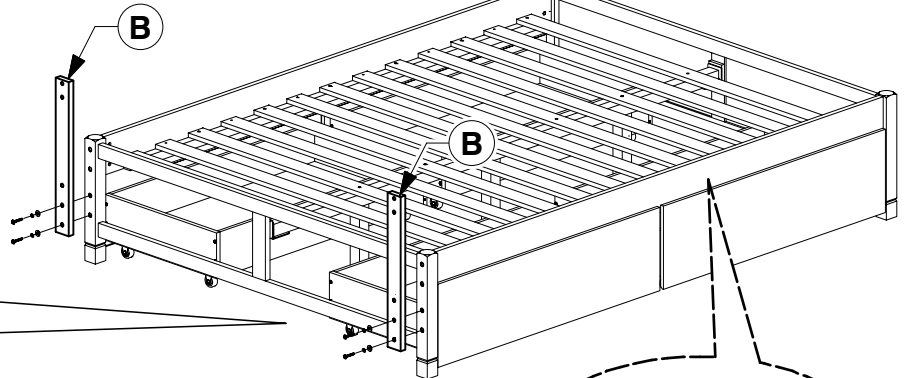
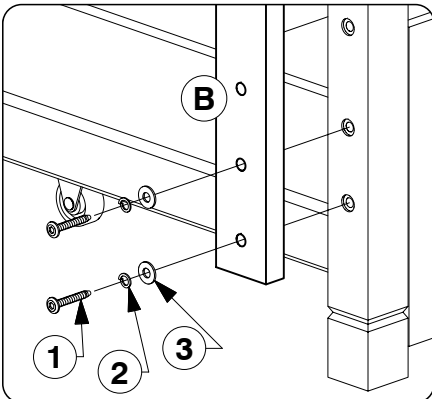
3 Flat Washer
x 8



4 Allen Key
x 1

Note: Do not assemble using power tools. This can cause the bolts to be overtightened

3 Assemble the Support Bars (B) to the Headboard Panel (A).



✓ Bed frame to be bought separately.

4 Assemble the Headboard Panel (A) to the Support Bars (B).

