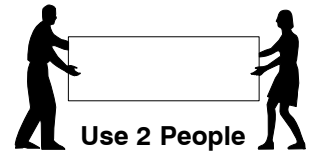
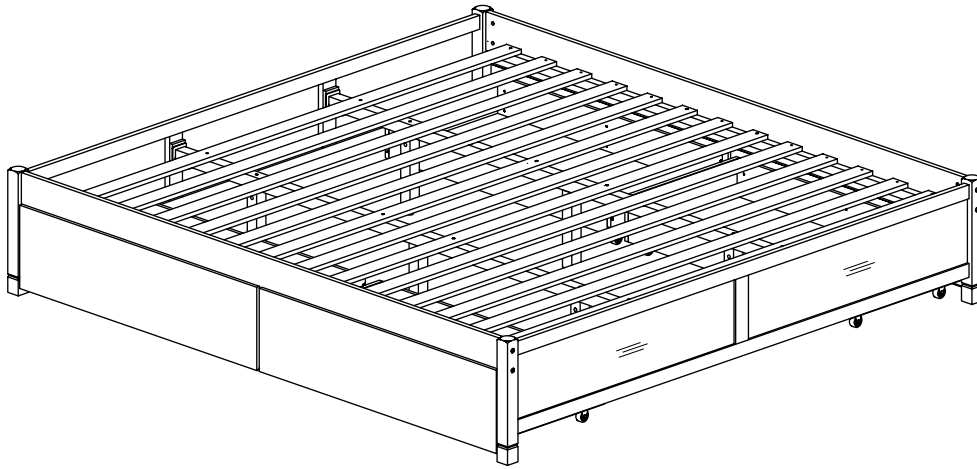


# 0068 4D King Bed

## Assembly Instructions

WI-1220

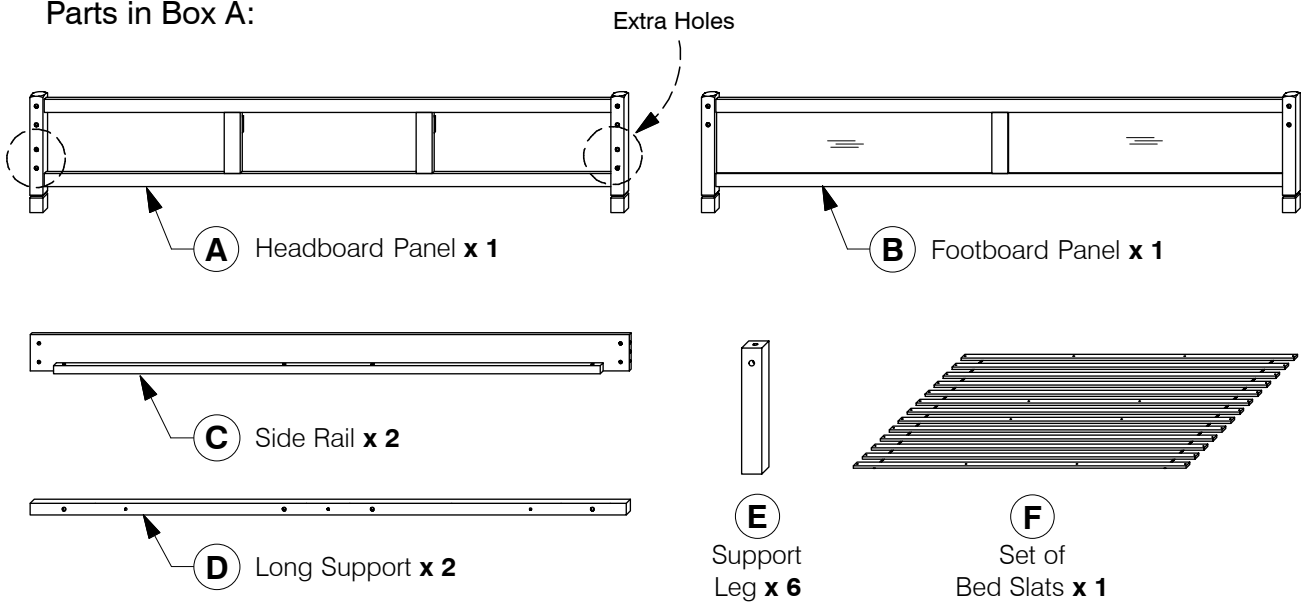
### 1 Assembled View



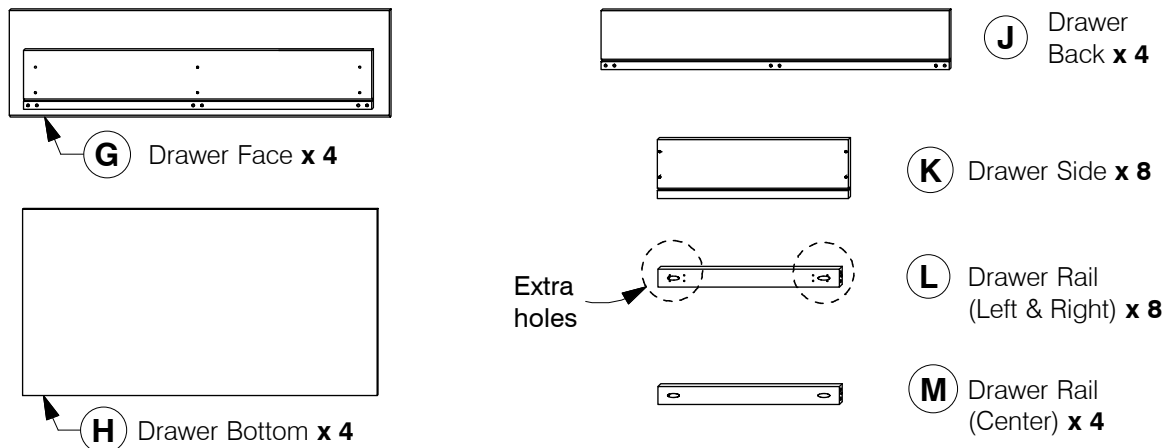
**Note:** Do not assemble using power tools. This can cause the bolts to be overtightened

### 2 Parts List

#### Parts in Box A:



#### Parts in Box B:



# 0068 4D King Bed

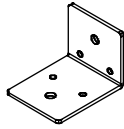
## Assembly Instructions

WI-1220

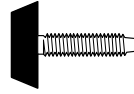
### 3 Hardware List



1 M4 Allen Key  
x 1



2 Center Rail  
Bracket x 4



3 Adjustable  
Foot x 6



4 Barrel  
Nut x 14



5 Wheel  
x 16



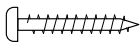
6 Wood Dowel  
(M8 x 30mm)  
x 48



7 Wood Dowel  
(M10 x 40mm)  
x 4



8 Wood Screw  
(M4 x 16mm)  
x 64



9 Wood Screw  
(M4 x 32mm)  
x 74



10 M6 x  
15mm JCB  
x 8

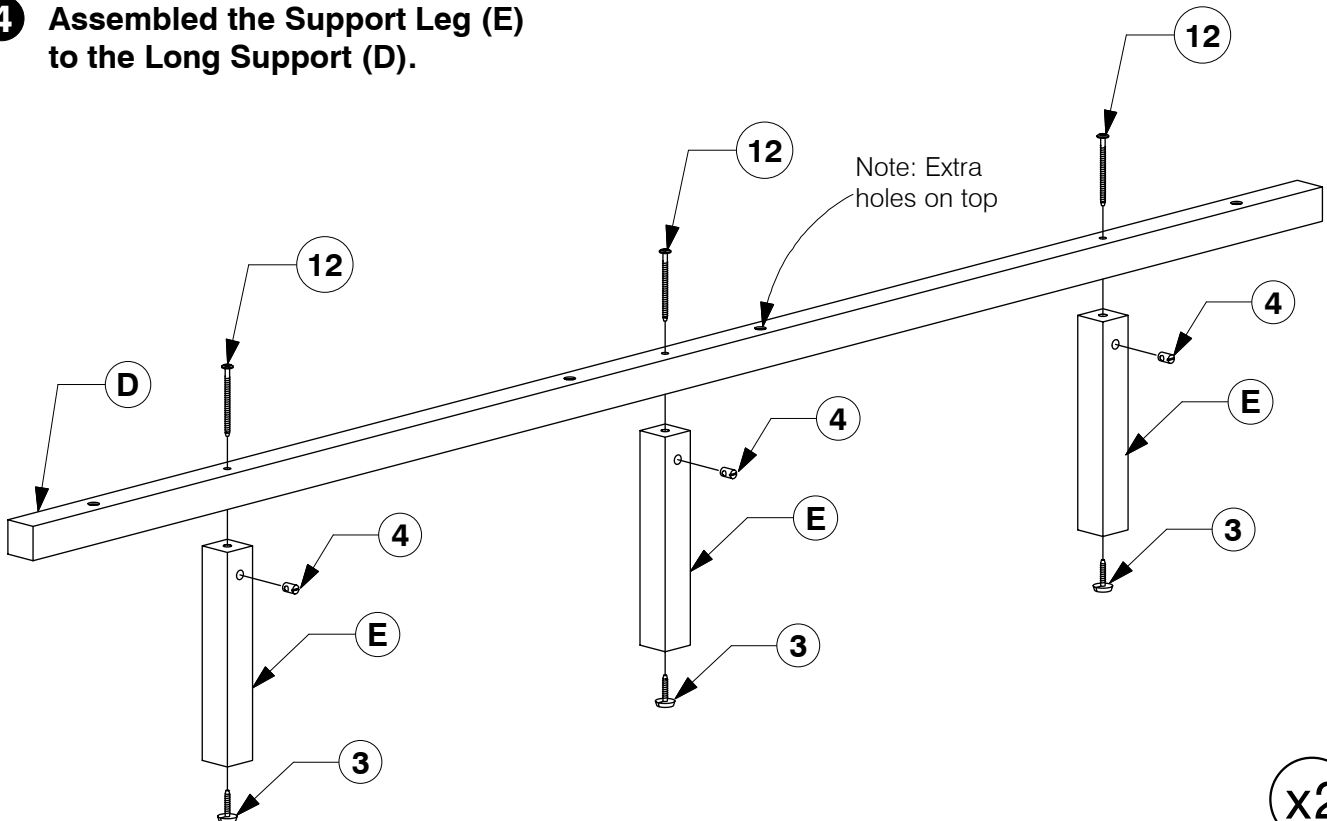


11 M6 x  
40mm JCB  
x 16



12 M6 x 90mm JCB  
x 14

### 4 Assembled the Support Leg (E) to the Long Support (D).



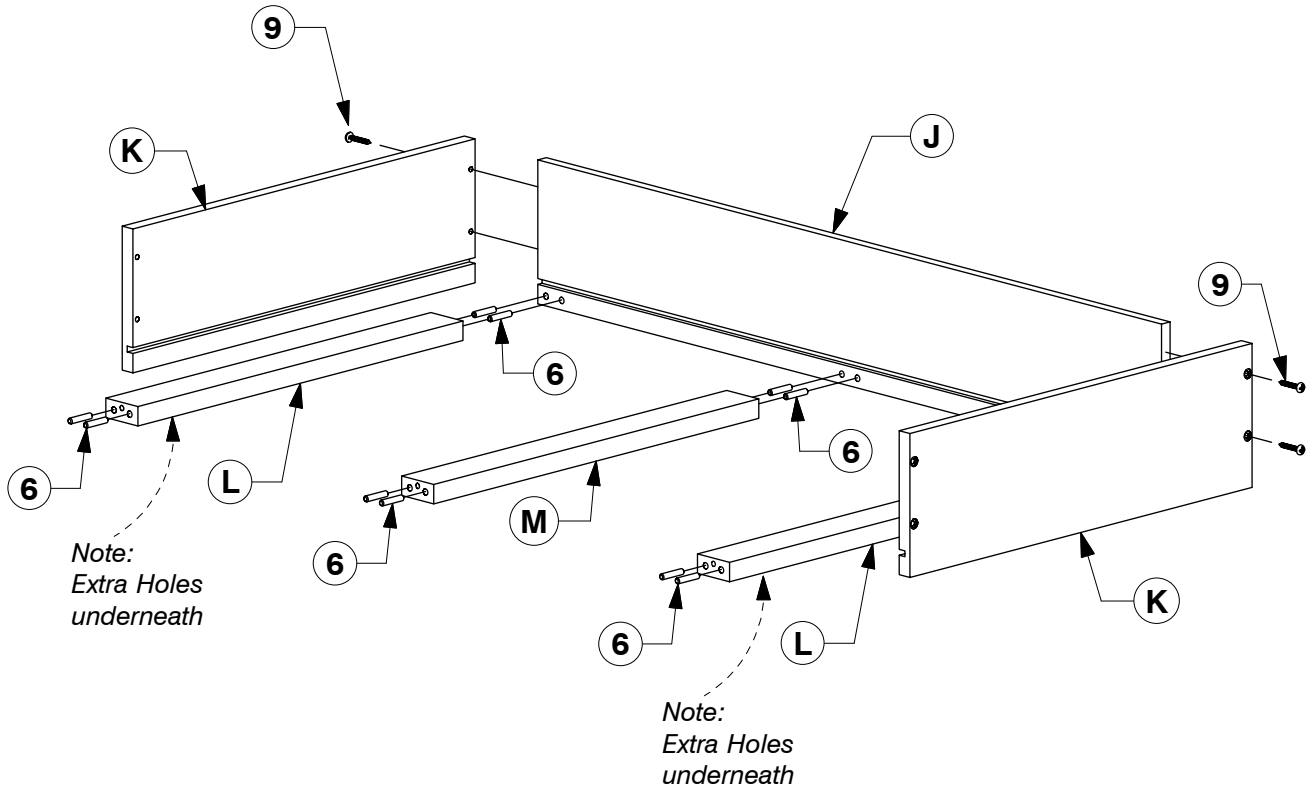
# 0068 4D King Bed

## Assembly Instructions

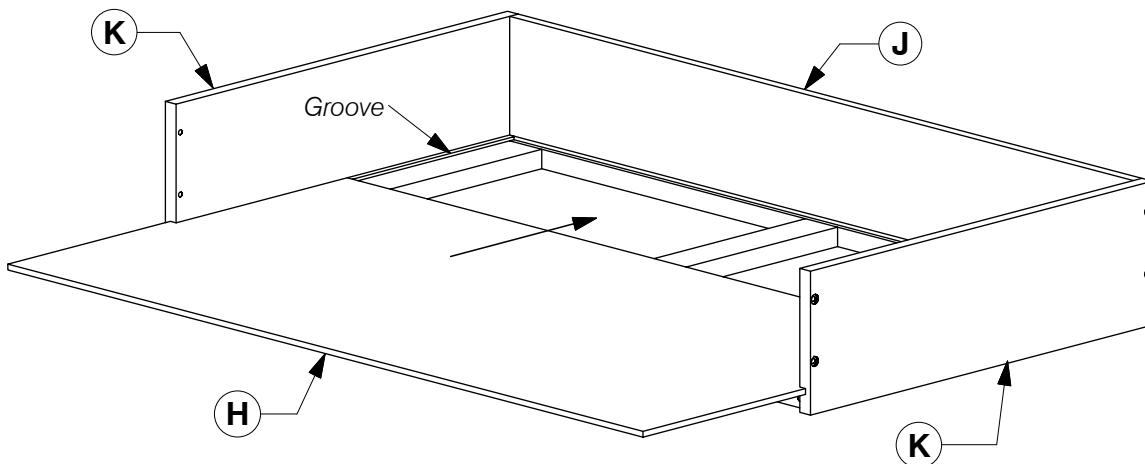
WI-1220

- 5** Assemble the Drawer Side (K) and Drawer Rail (L & M) to the Drawer Back (J).

x4



- 6** Slide the Drawer Bottom (H) onto the groove on the Drawer Sides (K).

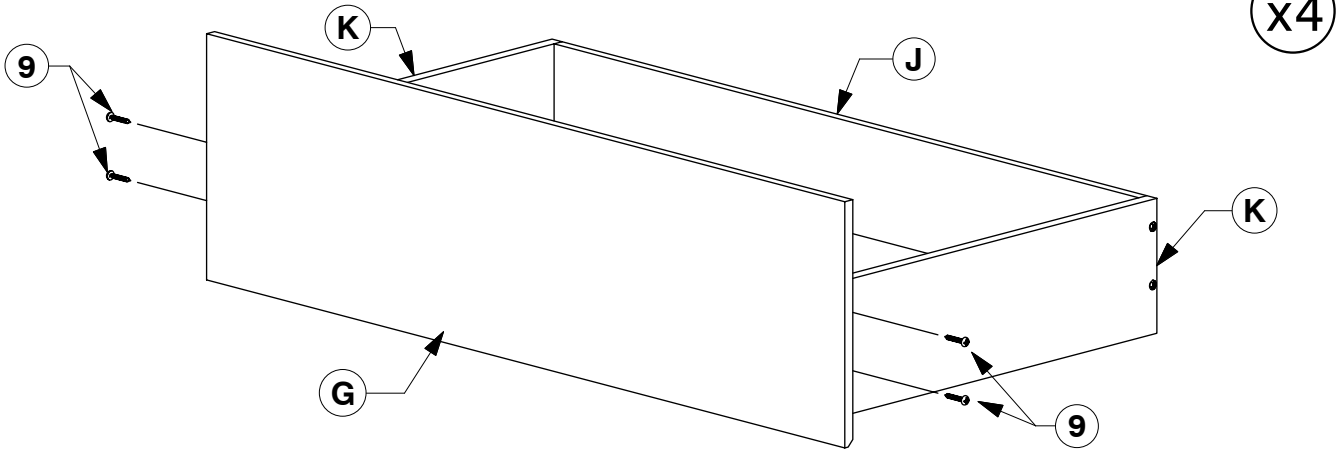


# 0068 4D King Bed

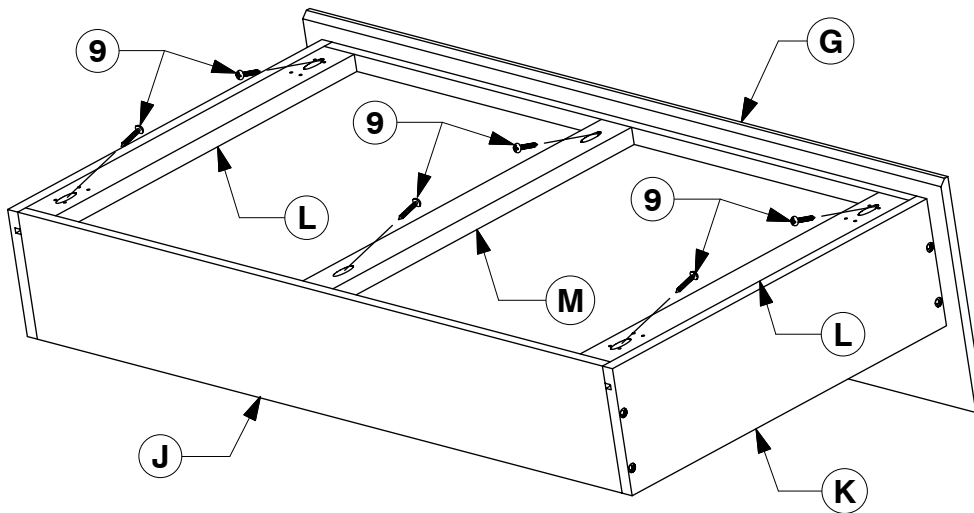
## Assembly Instructions

WI-1220

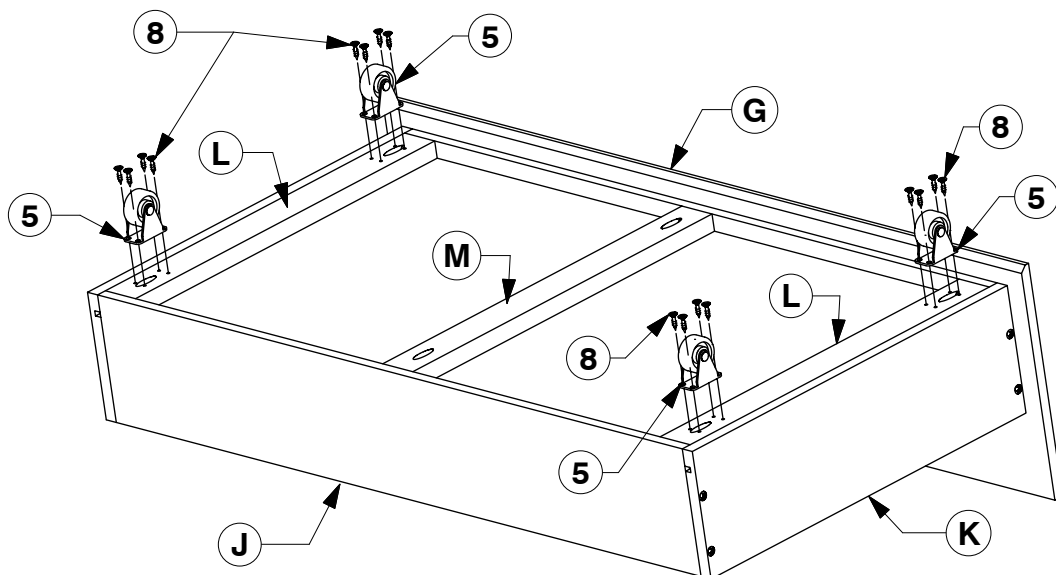
- 7** Assemble the Drawer Face (G) to the Drawer Sides (K).



- 8** Turn the Drawer over to fit angled 32mm Wood Screws (9) to the Drawer Rails (L & M).



- 9** Fit the Wheels (5) to the Drawer Rail (L).

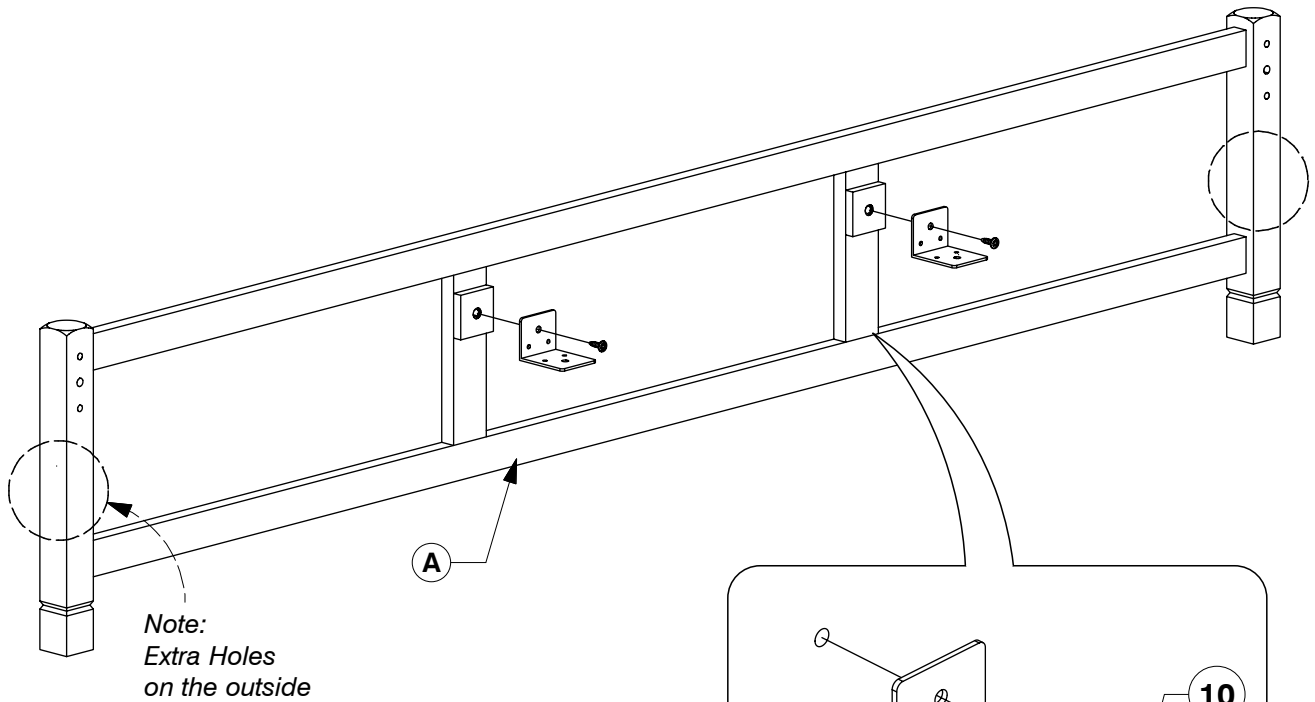


# 0068 4D King Bed

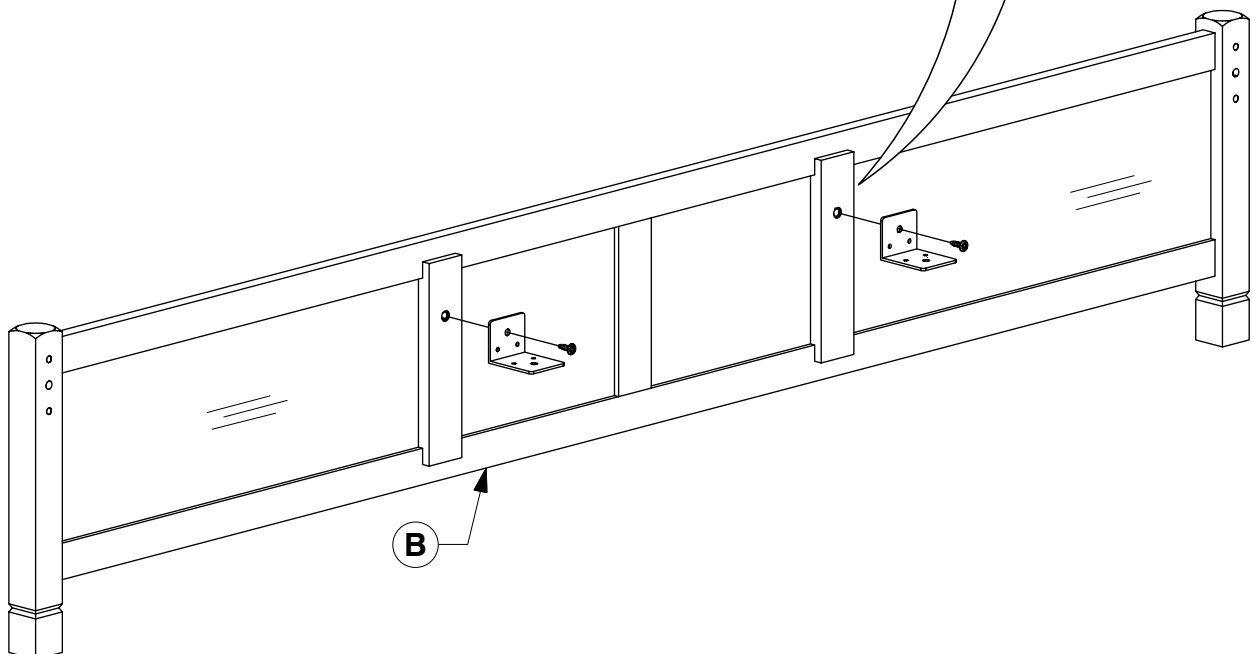
## Assembly Instructions

WI-1220

- 10** Fit the Center Rail Bracket to the Headboard Panel (A).



- 11** Fit the Center Rail Bracket to the Footboard Panel (B).

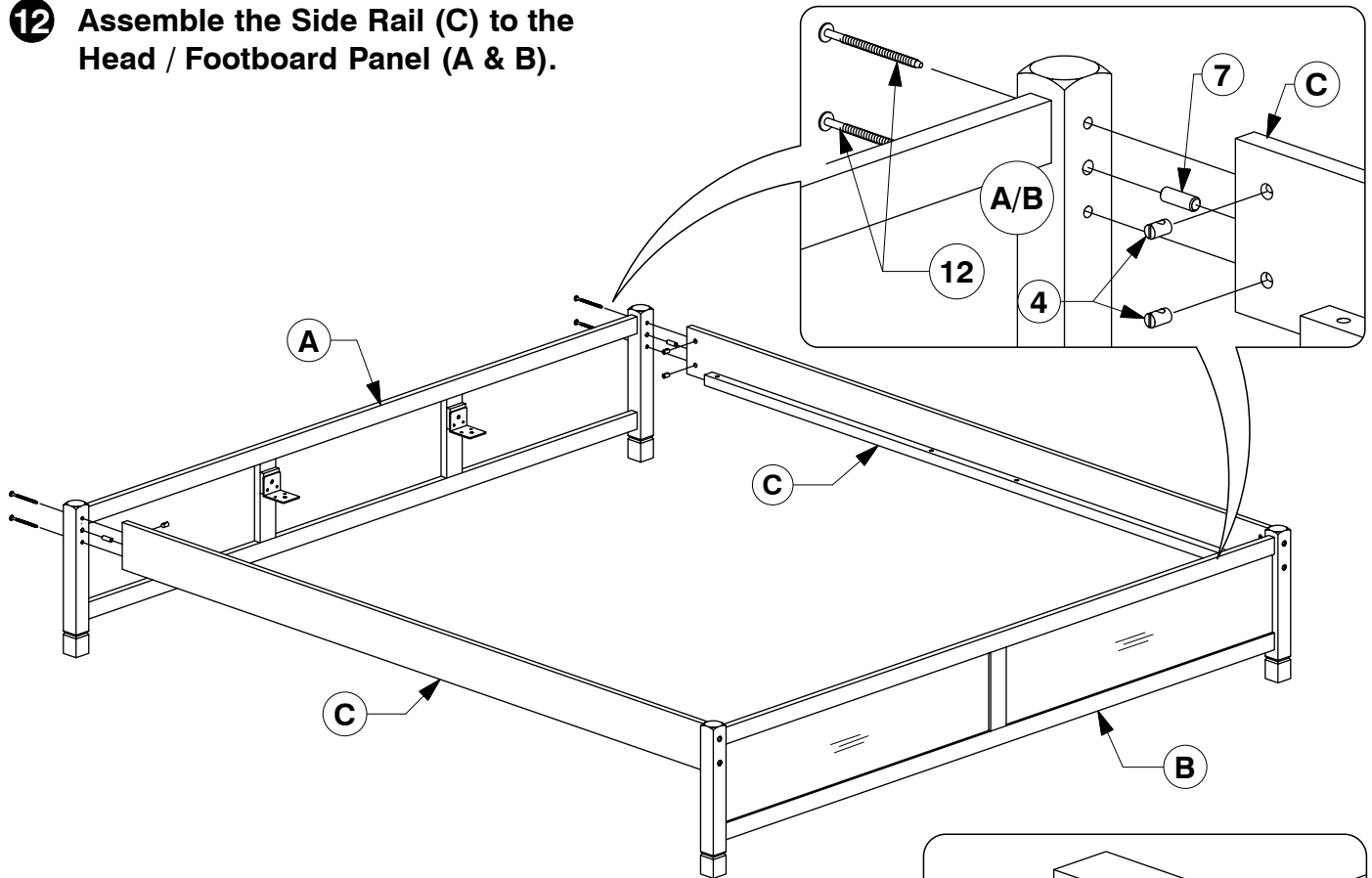


# 0068 4D King Bed

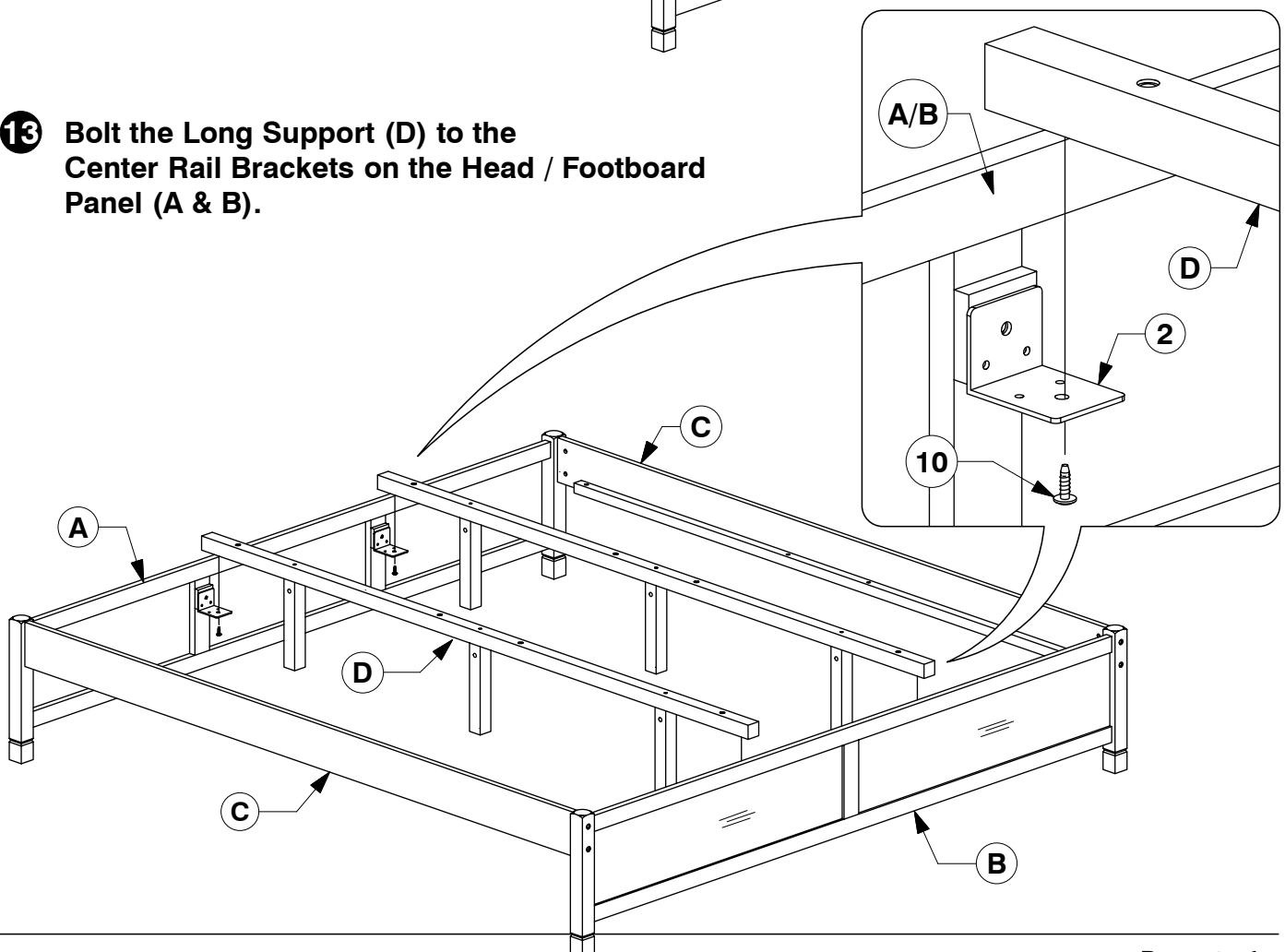
## Assembly Instructions

WI-1220

- 12** Assemble the Side Rail (C) to the Head / Footboard Panel (A & B).



- 13** Bolt the Long Support (D) to the Center Rail Brackets on the Head / Footboard Panel (A & B).

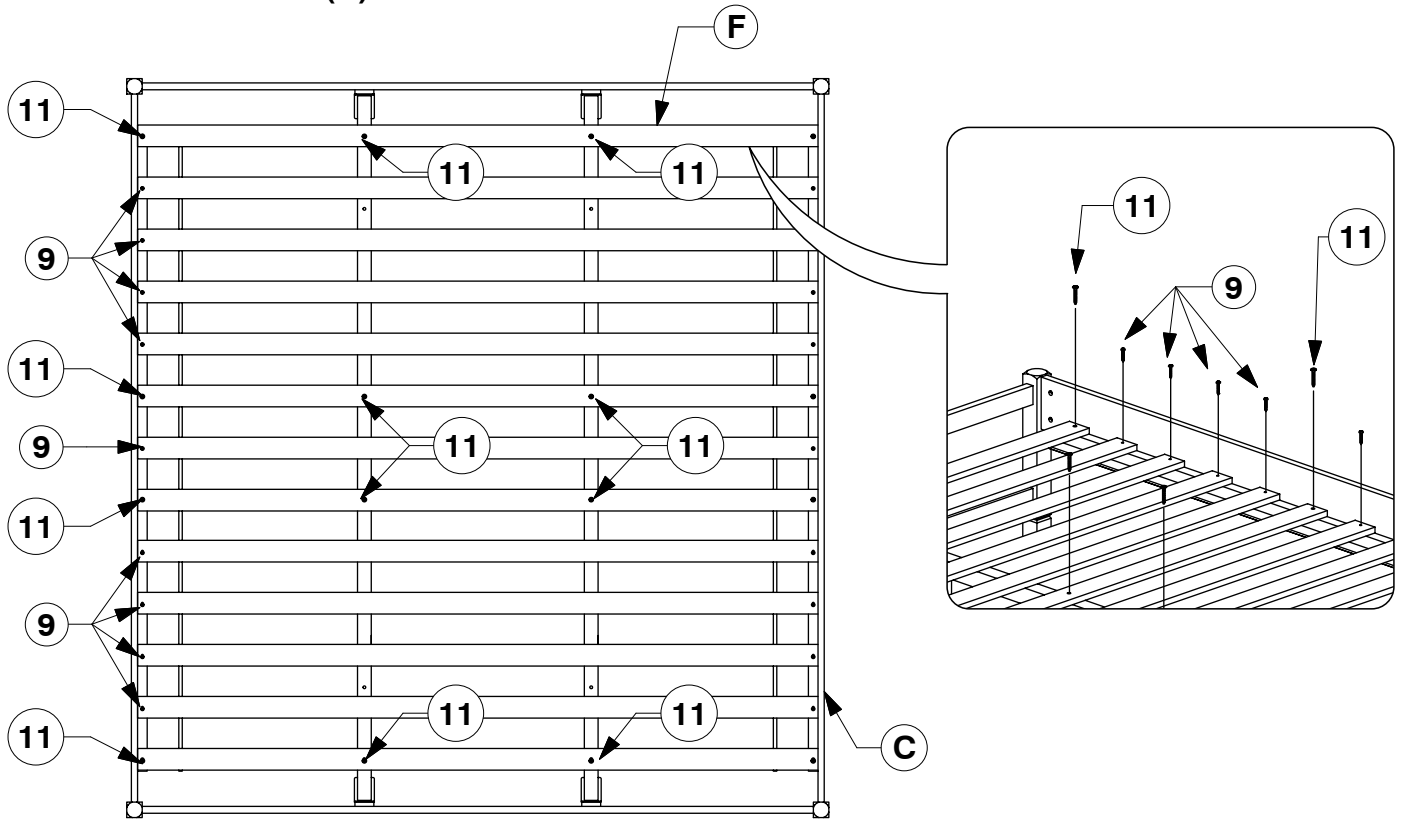


# 0068 4D King Bed

## Assembly Instructions

WI-1220

- 14** Bolt & screw the Bed Slats (F) to the Side Rail (C).



- 15** Finally fit the assembled Drawers.

