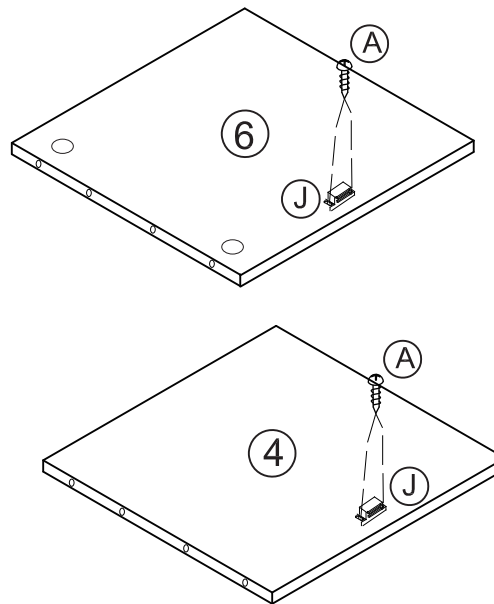
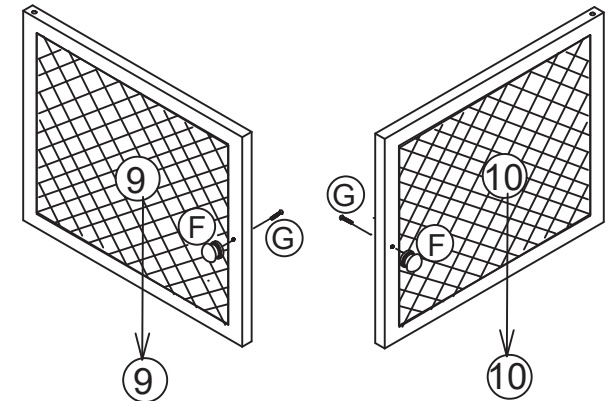


1 On piece 4 & 6, secure the catch (J) using screws (A). Use the pre-drilled holes for guidance.

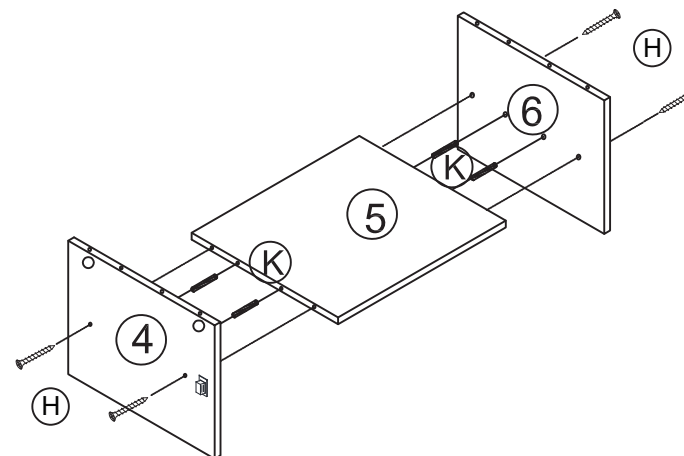


2 On piece 9 & 10, attach the door handles (F) using screws (G).

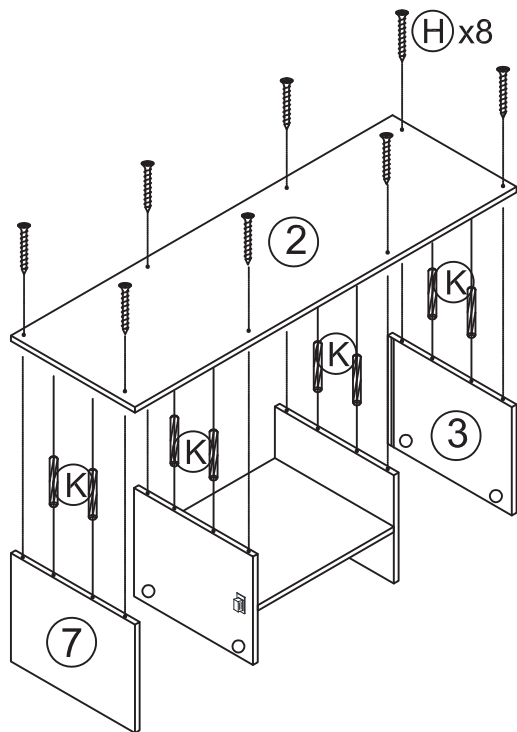


3 Attach piece 4 & 6 to piece 5 using wooden dowels (K), screws (H).

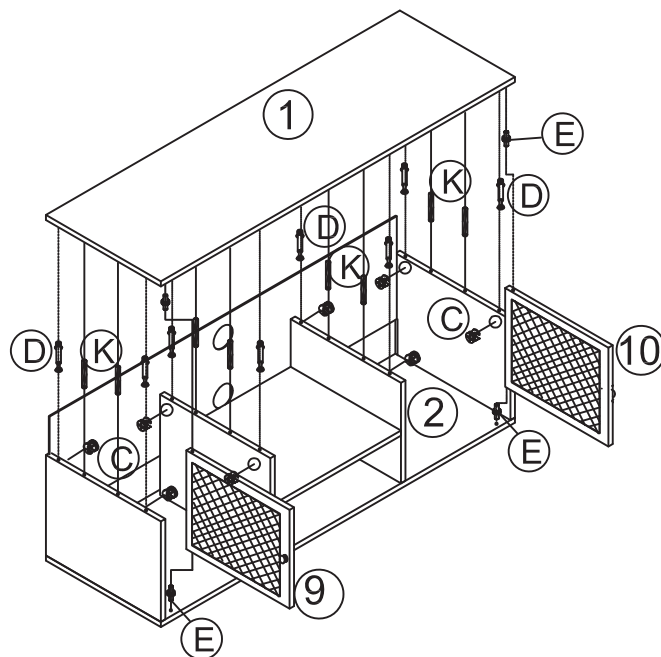
A		M3X14mm	4 PCS
B		M5X20mm	20 PCS
C		Ø15x12mm	8 PCS
D		M6x35mm	8 PCS
E		Ø5x14mm	4 PCS
F		Ø24mm	2 PCS
G		M4X20mm	2 PCS
H		M4X40mm	12 PCS
J		45X14mm	2 PCS
K		Ø8x30mm	20 PCS



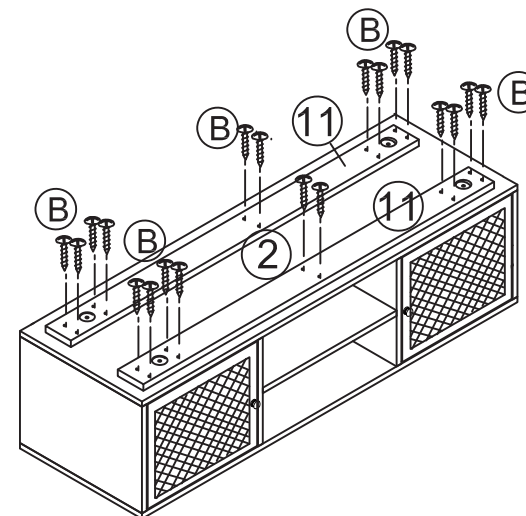
- 4 Attach piece 3 & 7 and assembled 4,5,6 piece to piece 2 using wooden dowels (K), screws (H)



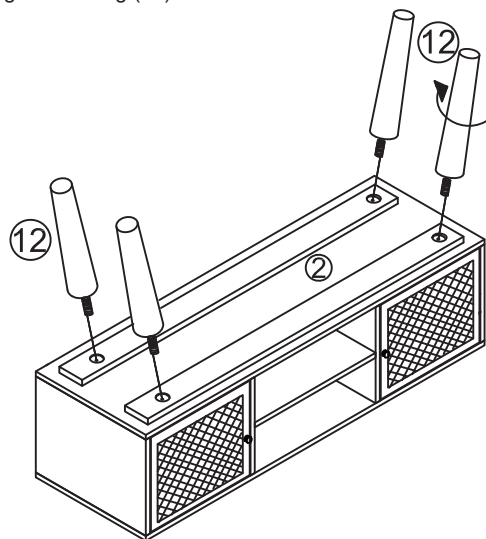
- 5 Turn the unit upside down, slot piece 8 into the ridges, attach piece 1 to the unit using wooden dowels (K), cam dowels (D) and cam locks (C). Connect door 9 & 10 using bar hinges (E).



- 6 Turn the unit upside down again, attach piece 11 to piece 2 using screws (B).



- 7 Tighten the leg (12) clockwise direction.



- 8 The unit should now be assembled and ready to use.

