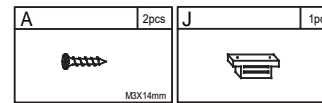
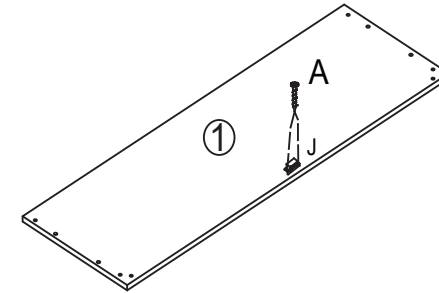














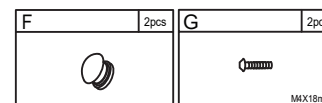
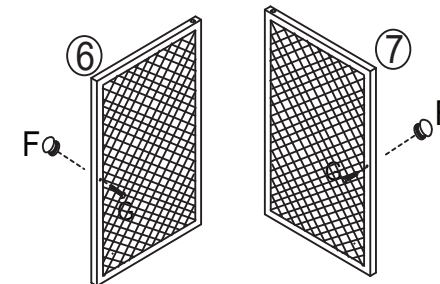


1 On piece 1, secure the catch (J) using screws (A). Use the pre-drilled holes for guidance.

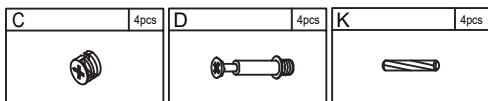
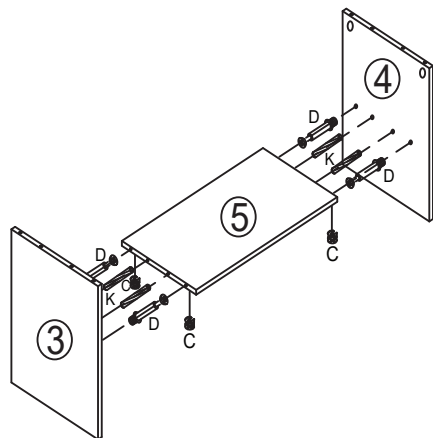


A		M3X14mm	2PCS	M		2PCS
B		M4X12mm	22PCS	N		2PCS
C			8PCS	O		4PCS
D			8PCS			
E			4PCS			
F			2PCS			
G		M4X18mm	2PCS			
H		M4X35mm	6PCS			
J			1PC			
K			12PCS			
L			4PCS			

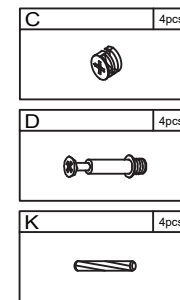
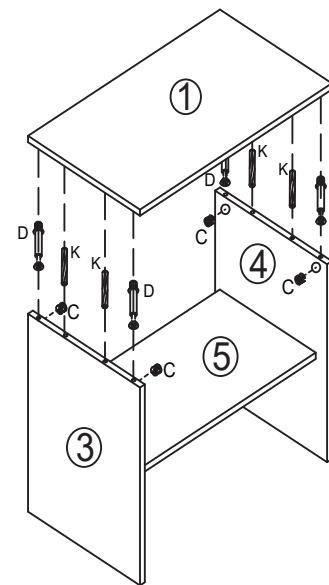
2 On piece 6 & 7, attach the door handles (F) using screws (G).



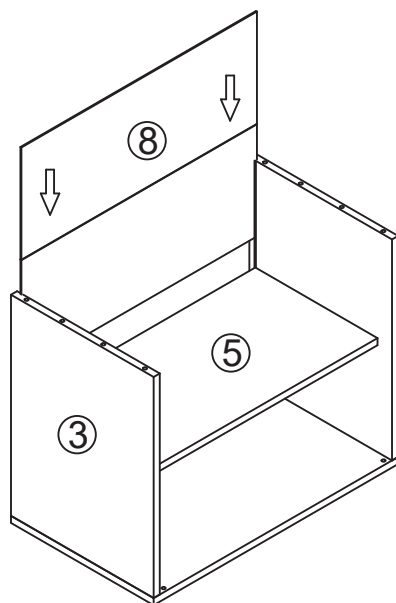
3 Attach piece 3 & 4 to piece 5 using wooden dowels (K), cam dowels (D) and cam locks (C).



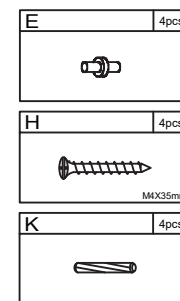
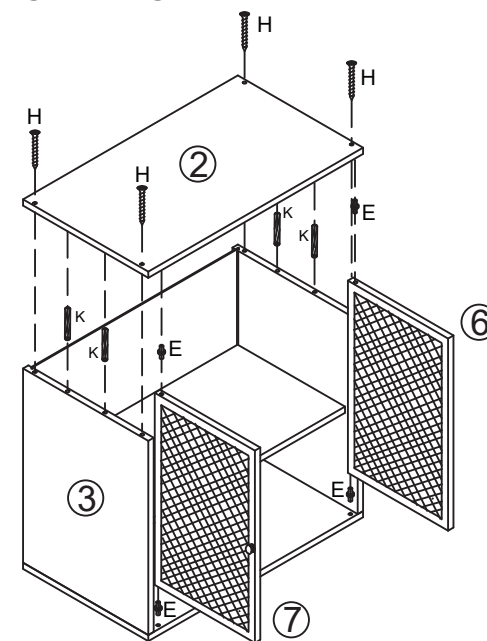
4 Attach piece 1 using wooden dowels (K), cam dowels (D) and cam locks (C).



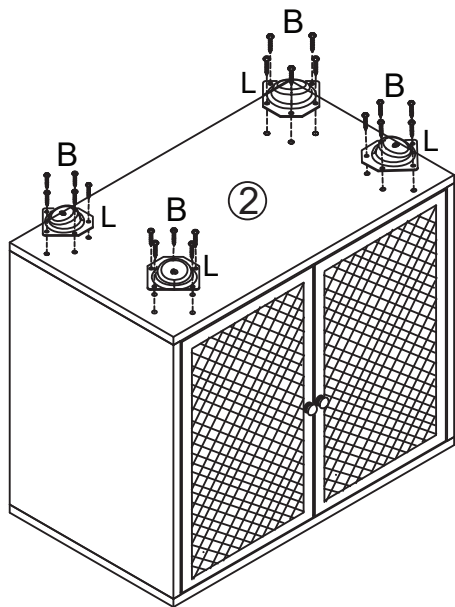
5 Slot piece 8 into the ridges.





6 Add piece 2 to the unit using wooden dowels (K), screw (H). Connect door 6 & 7 using bar hinges (E).

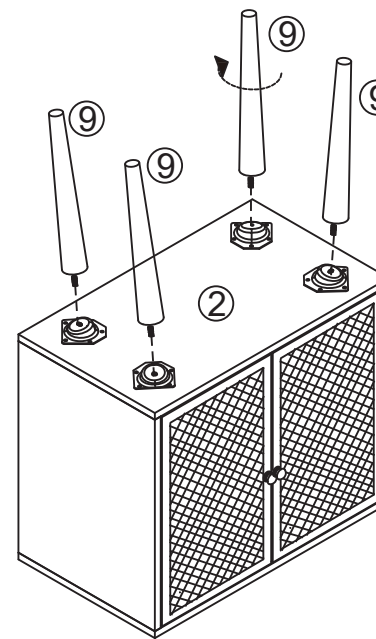


7 Attach metal plate (L) to piece 2 using screws (B).

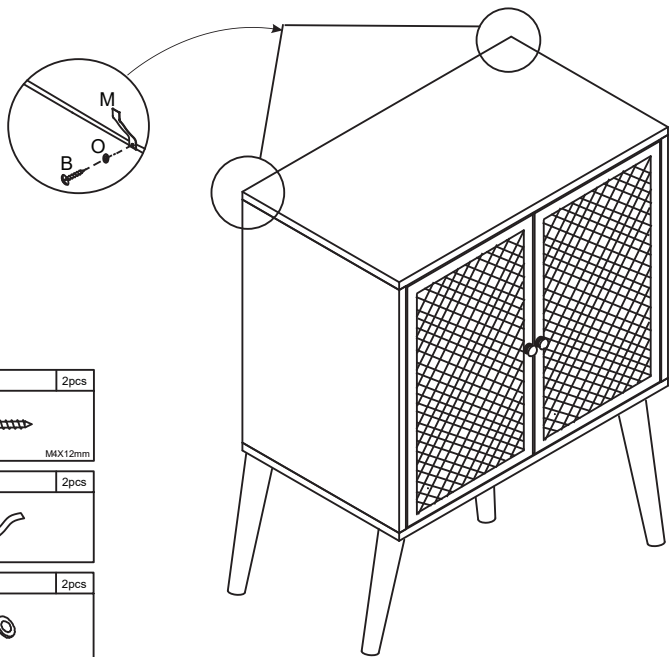





B	20pcs
	MX12mm
L	4pcs
	

8 Tighten the leg (9) clockwise direction.

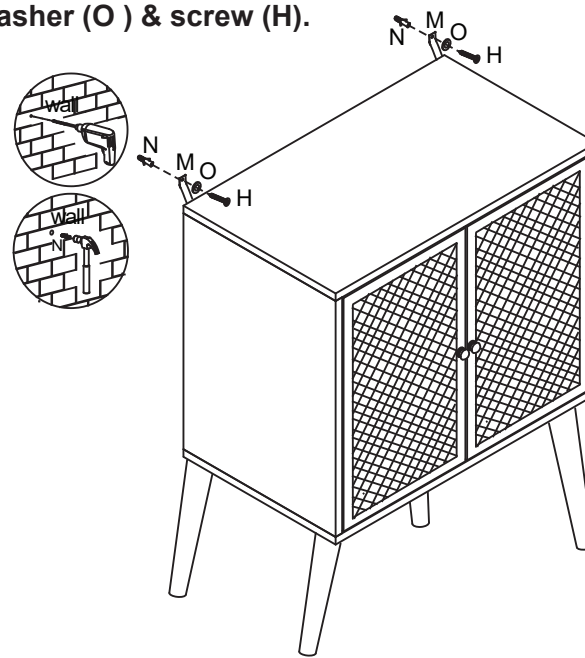




9 Attach strip (M) using washer (O) & screw (B).



B	2pcs
	MX12mm
M	2pcs
	
O	2pcs
	

10 Secure the unit to a wall in your chosen location using wall plugs (N) and washer (O) & screw (H).



H	2pcs
	MX35mm
N	2pcs
	
O	2pcs
