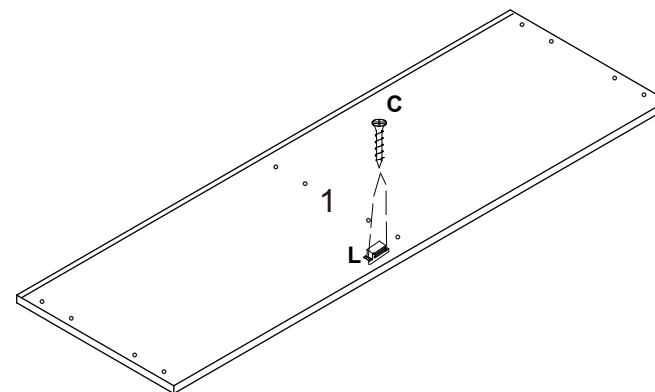


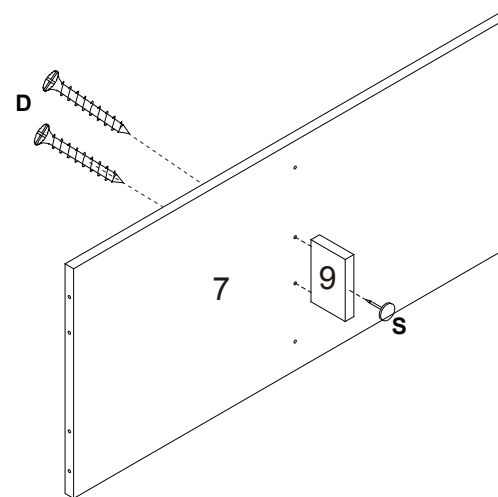
1 On piece 1, secure the catch (L) using screws (C). Use the pre-drilled holes for guidance.



A		30 PCS
B		30 PCS
C		2 PCS
D		6 PCS
E		48 PCS
F		16 PCS
G		2 PCS
H		2 PCS
I		2 PCS
J		2 PCS
K		2 PCS

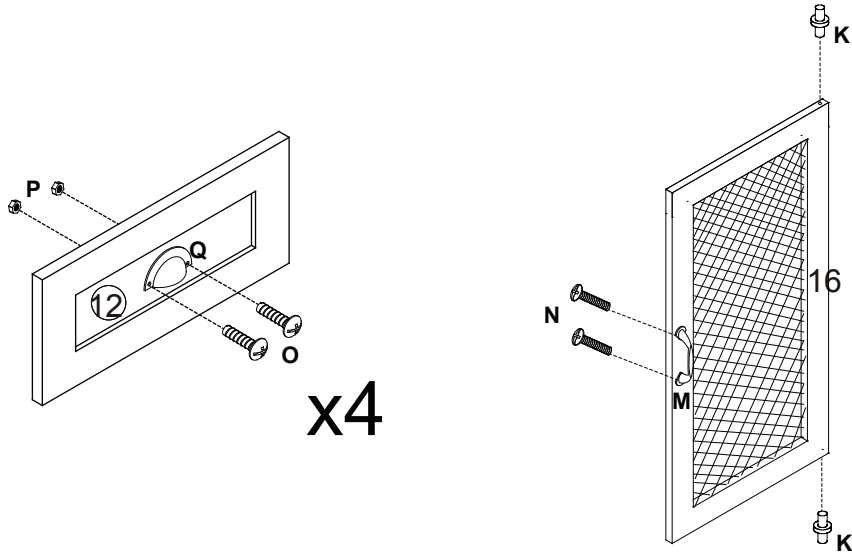
L		1 PCS
M		1 PCS
N		2 PCS
O		8 PCS
P		8 PCS
Q		4 PCS
R		26 PCS
S		5 PCS
T		4 PCS

2 Attach piece 7 to piece 9 using screw (D), insert hardware parts (S) into piece 9.

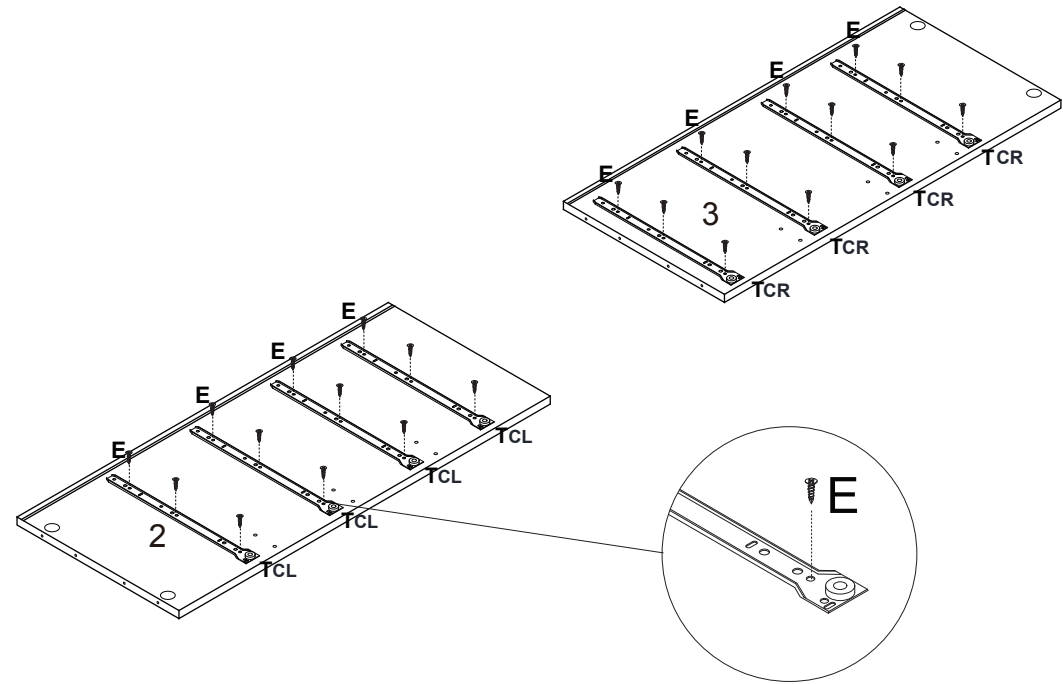


3

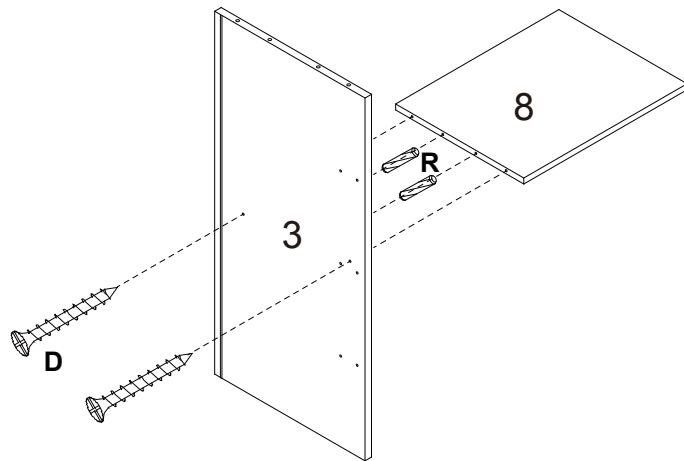
On pieces 12 attach the door handles (Q) using screws (O & P).
 On pieces 16 attach the door handles (M) using screws (N), attach
 bar hinges (K).

**x4****4**

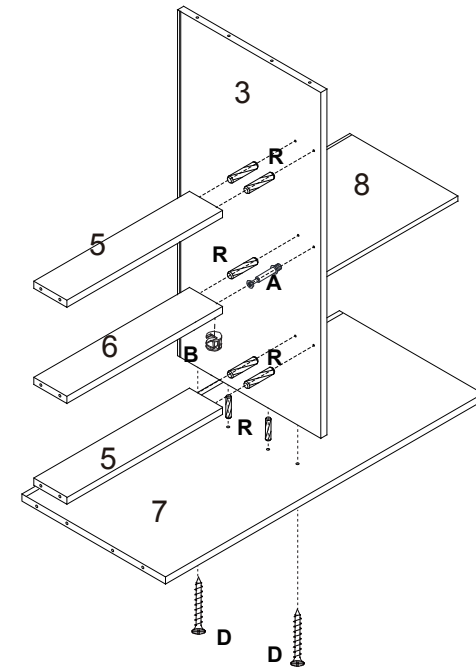
Attach the runners T to pieces 2 and 3 as shown. Use screws (E).

**5**

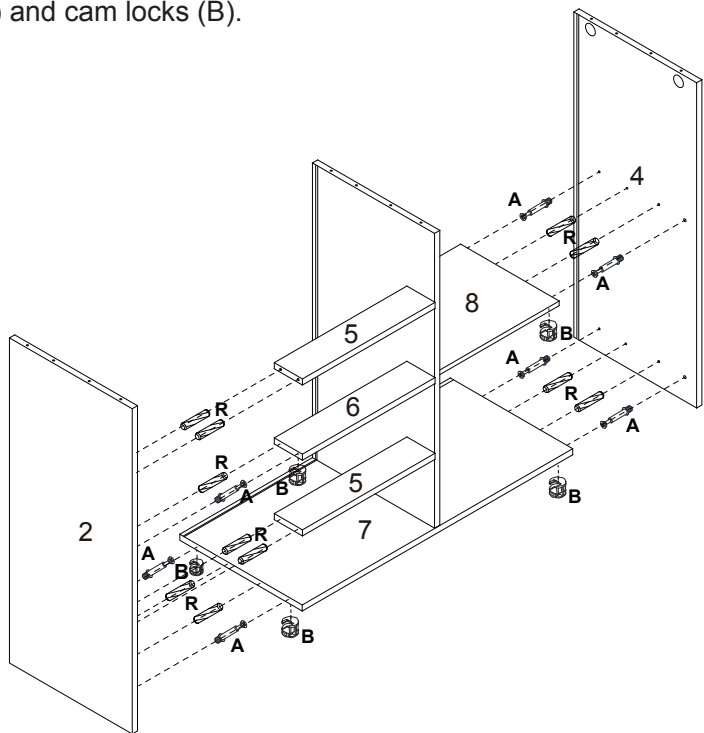
Attach piece 3 to piece 8 using wooden dowels (R), screw (D).

**6**

Attach section to piece 5 6 & 7 using wooden dowels (R),
 screw (D), cam dowels (A) and cam locks (B).

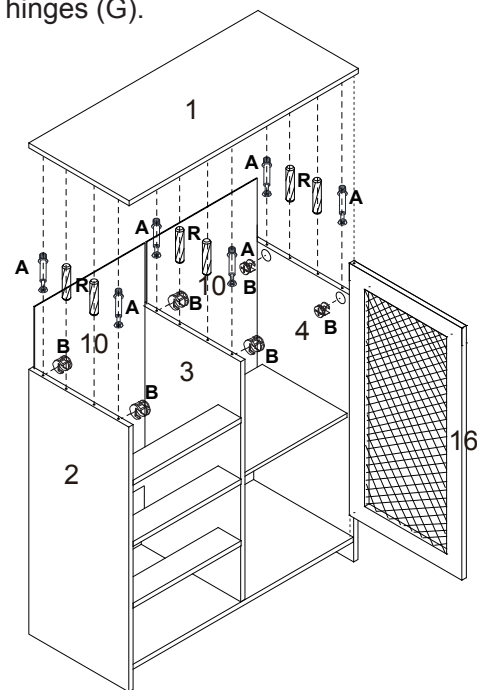


7 Then attach piece 2 & 4 using wooden dowels (R), cam dowels (A) and cam locks (B).

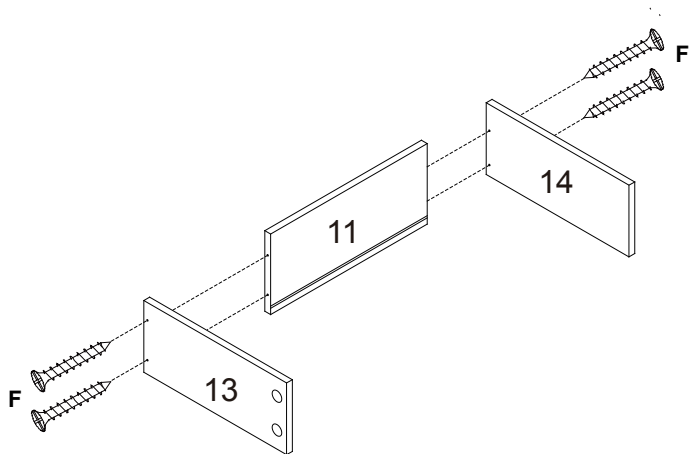


8

Slot in piece 10 to the built-in ridges, then add piece 1 to the unit using wooden dowels (R), cam dowels (A) and cam locks (B). Connect door 16 using bar hinges (G).



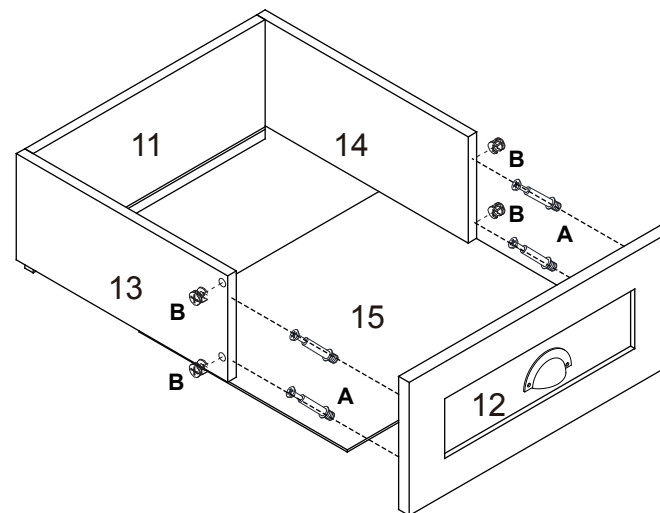
9 Attach pieces 11, 13 & 14 using screws (F). Make sure that the built-in ridge is facing inwards and at the bottom.



x4

10

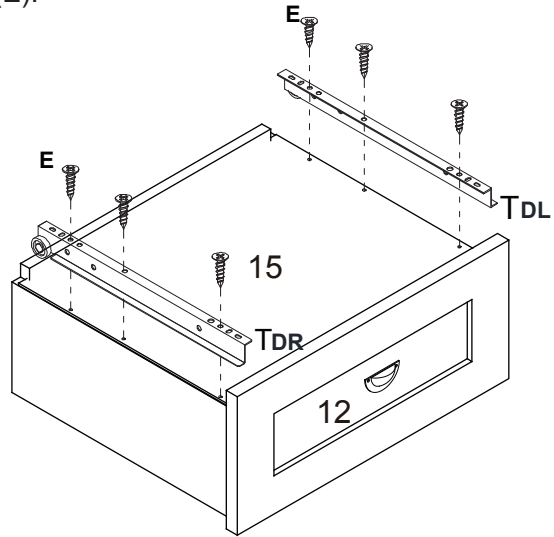
Slot piece 15 into the ridges. First insert the cam locks (B) into the pre-drilled holes on parts 13 & 14. Then insert cam dowels (A) into each side, you then need to line up these screws with the pre-drilled holes on the front piece (12). Once attached, tighten the cam locks (B) using a cross-head screwdriver and ensure the piece is secure.



x4

11

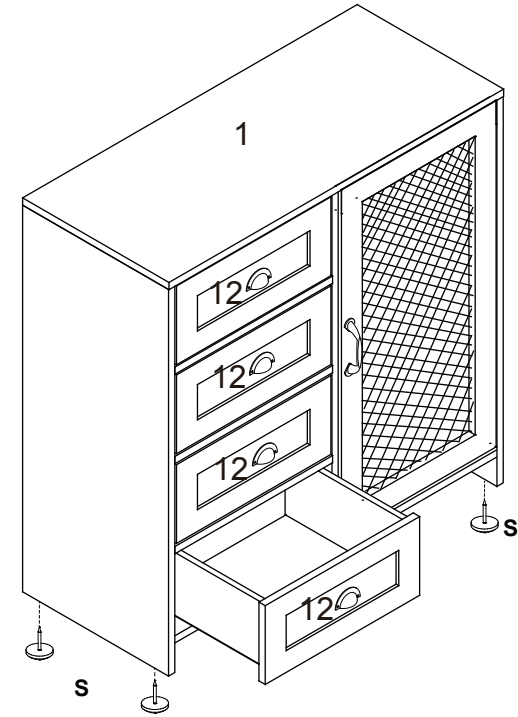
Turn the drawer upside down. Line up the holes on the outside pieces with the holes on the runners (TDR & TDL), secure to the drawer using screws (E).



x4

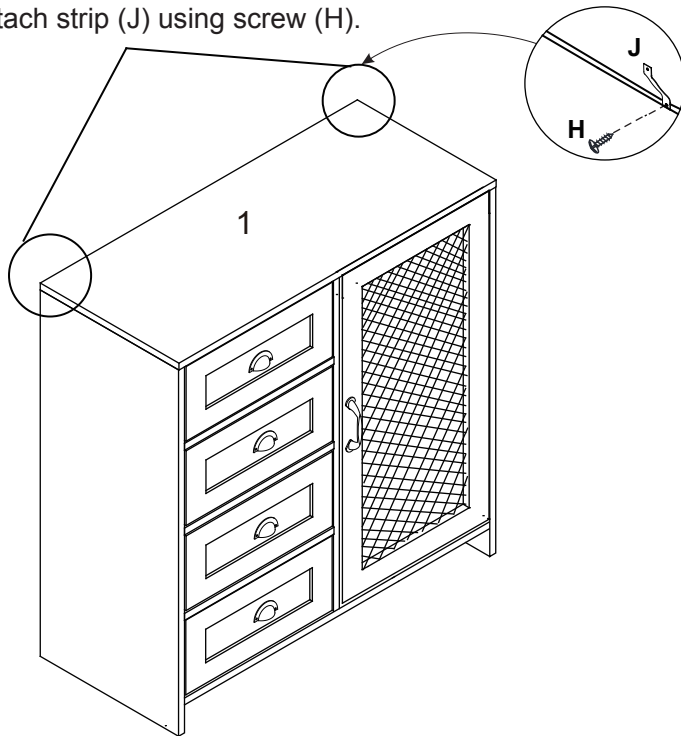
12

Insert the drawers, insert hardware parts (S) into bottom of piece 2 & 4.



13

Attach strip (J) using screw (H).



14

Secure the unit to a wall in your chosen location using wall plugs (I) and screws (G).

