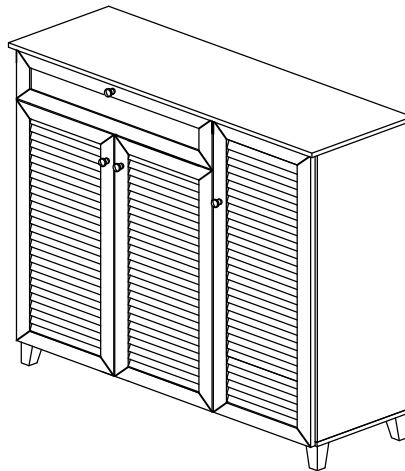
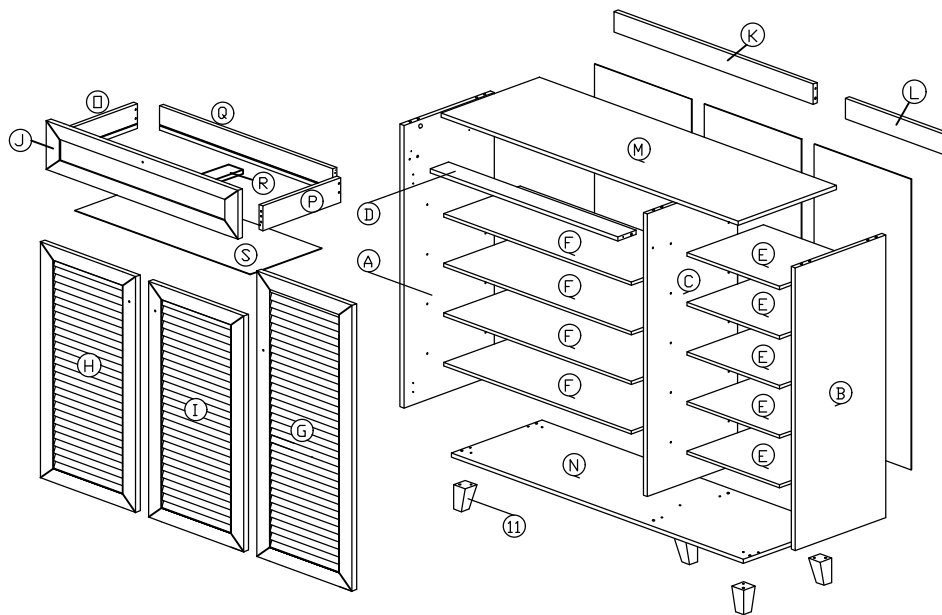


Assembly Instruction


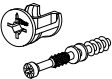


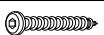
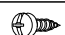
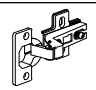

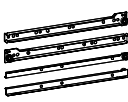

WI5308 / WI9391 / WI11928




Part List





Hardware List

1		8x25mm Dowel	27Pcs
2		(15MM) Titus Mini Fix	9Sets
3		M3.5x15mm Screw	4Pcs
4		M4x40mm Screw	17Pcs
5		M7x40mm Screw	5Pcs
6		TP 10#x1/2" Screw	24Pcs
7		Hinges F012	6Sets
8		M5x16 Shelf Support	36Pcs
9		Drawer Slide = 300mm	1Set
10		M5x8mm Screw (Euro Screw)	4Pcs

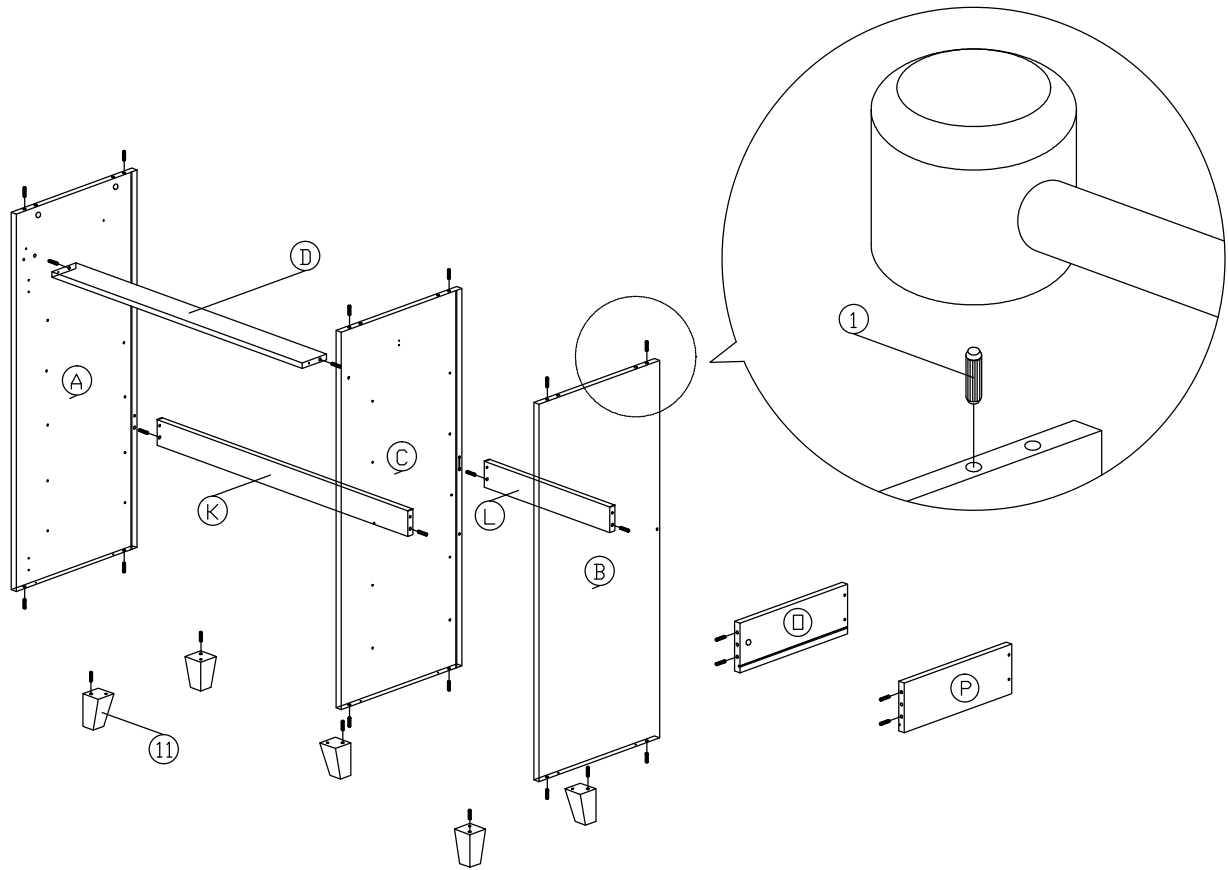
11		Wooden Leg	5Pcs
12		Handle (9988) M4x25mm Handle Screw	4Sets
13		Allen Key	1Pc
14		Z Bracket(Big)	4Pcs
15		M3 x 16mm Screw	8Pcs
16		Screw Cap	3Pcs
17		15mm Minifix Cap	2Pcs

Packing Tipping Restraint

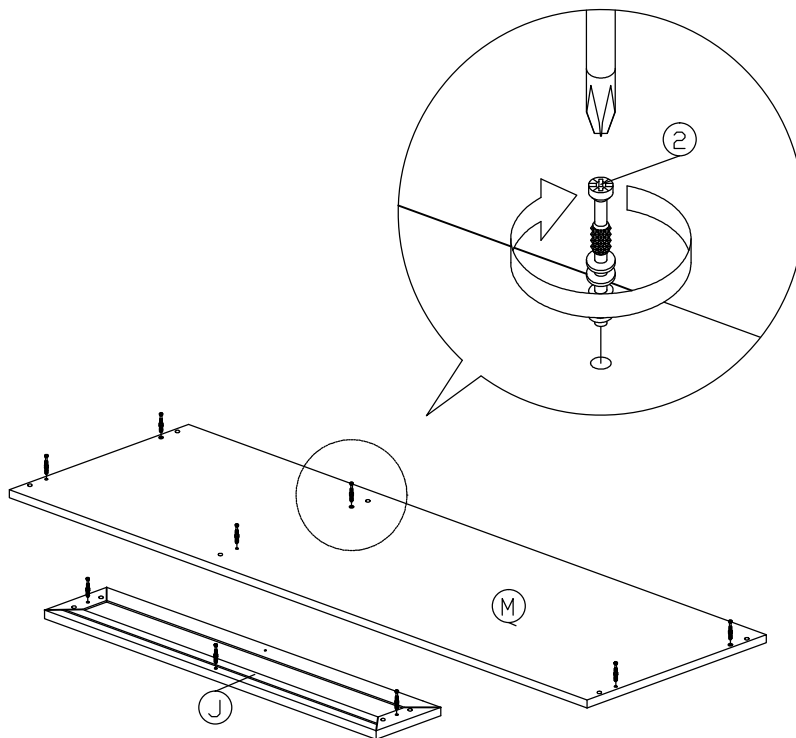
18		M3.5x15mm Screw	2Pcs
19		Wall Plug	2Pcs
20		M4x30mm Screw	2Pcs
21		Safety Strap	2Pcs
22		Flat Washer 6x19x2mm	4Pcs

Assembly Instruction

Step 1

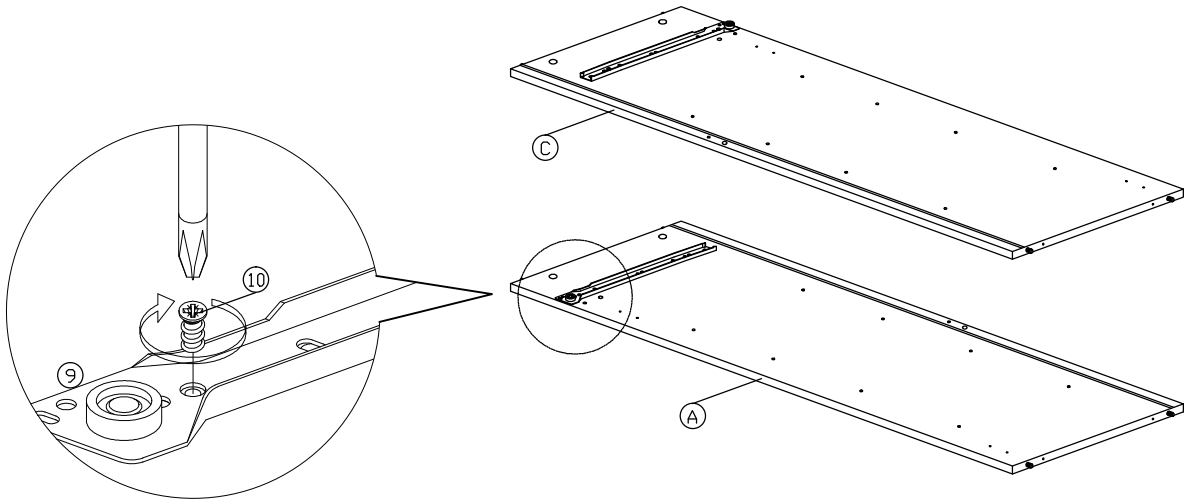


Step 2

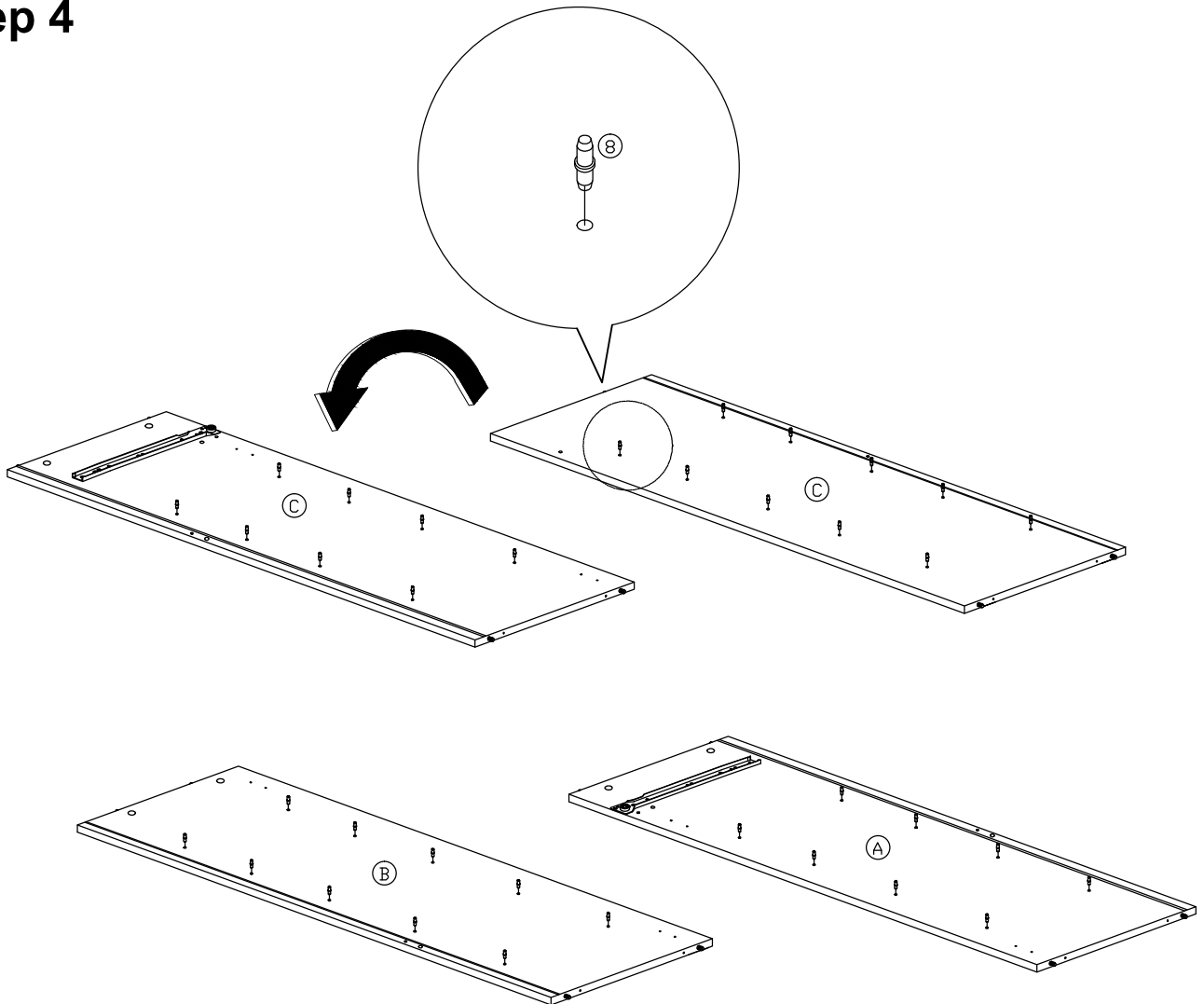


Assembly Instruction

Step 3

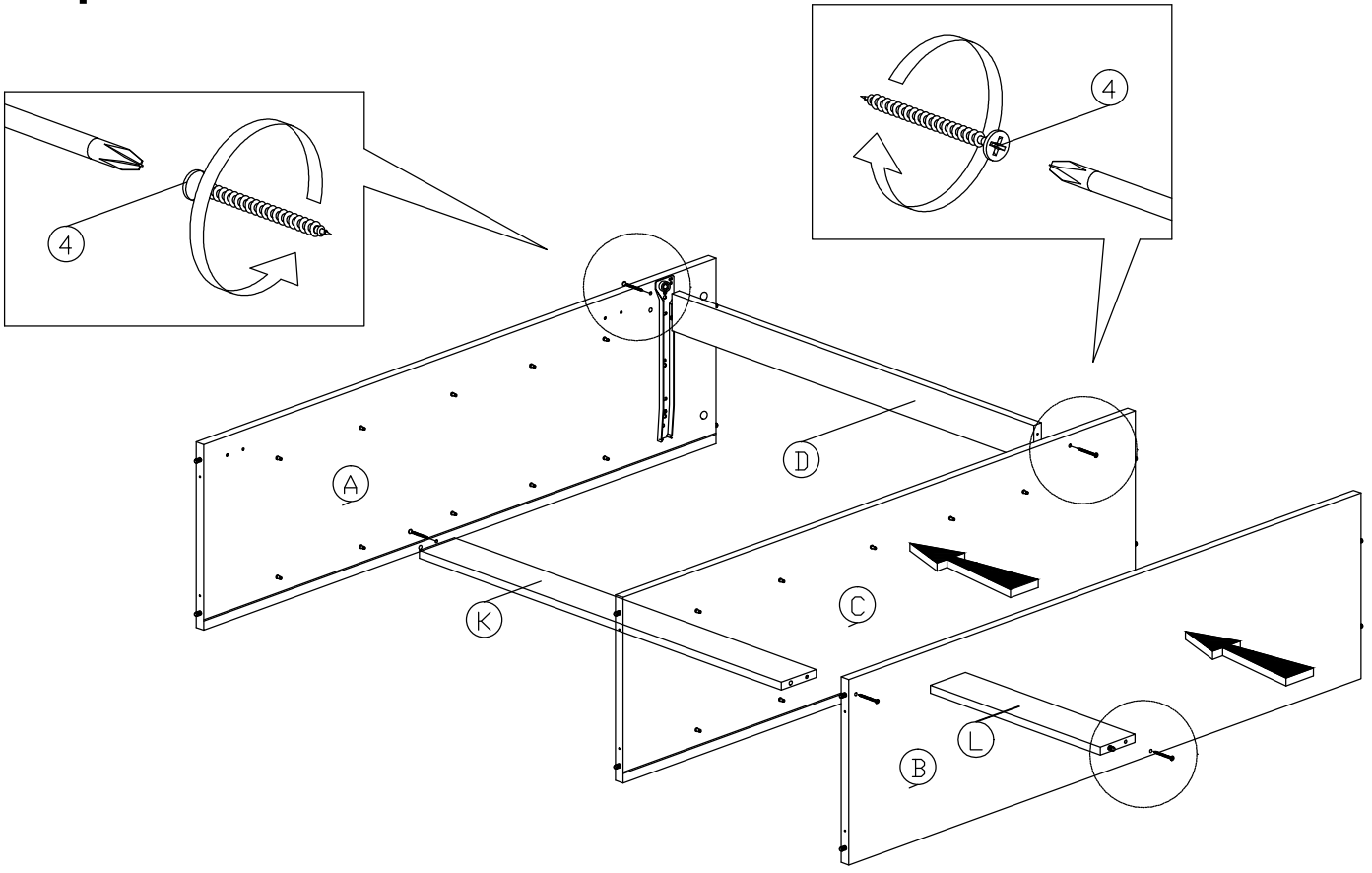


Step 4

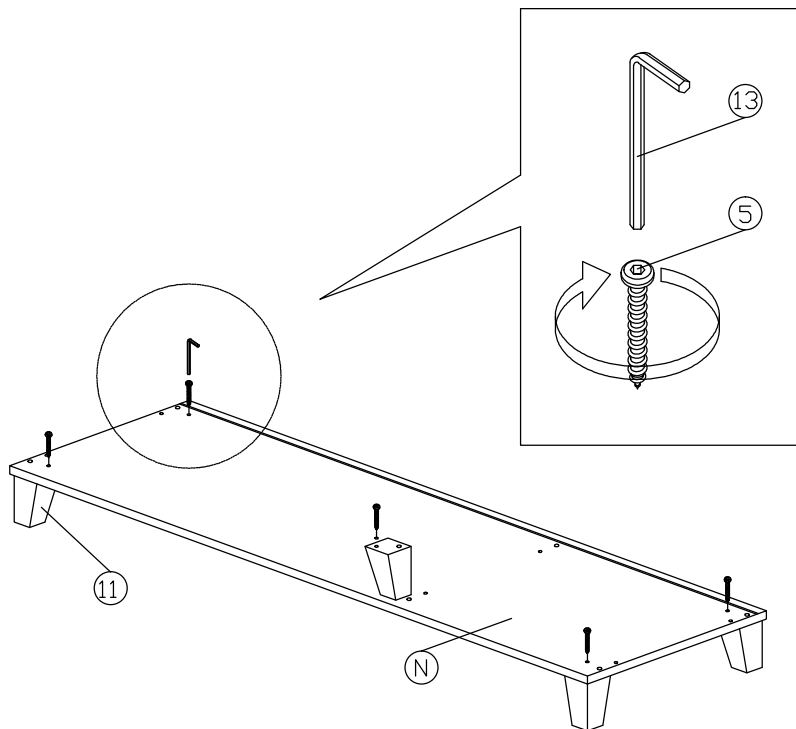


Assembly Instruction

Step 5

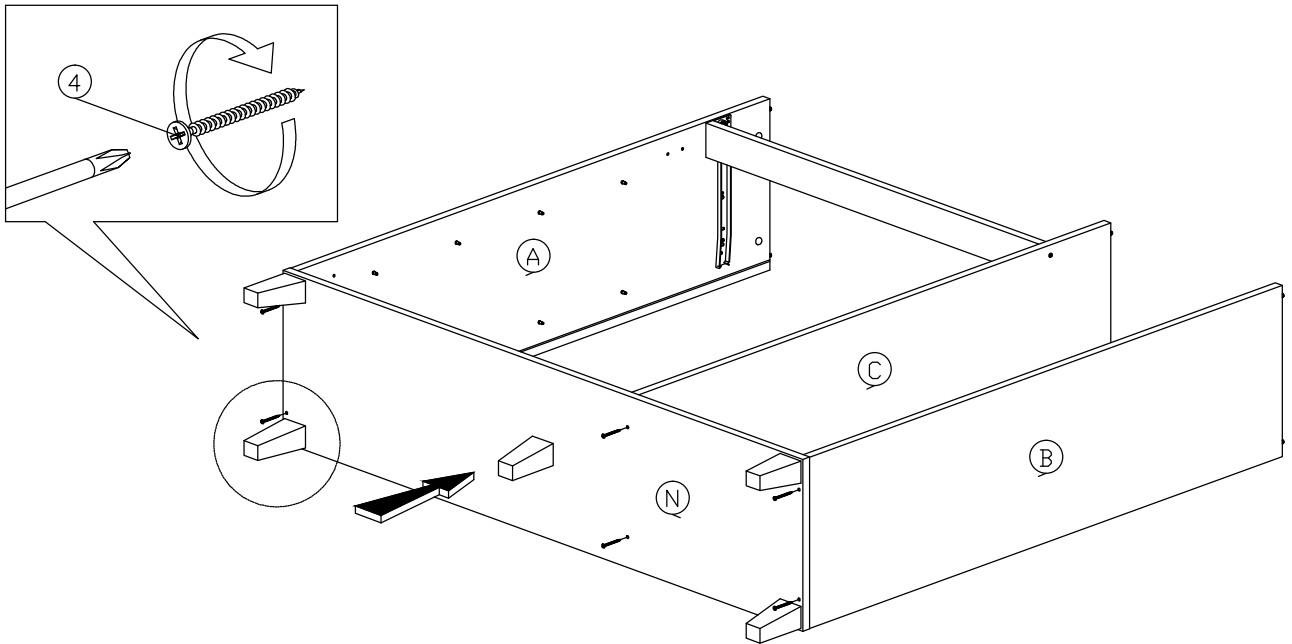


Step 6

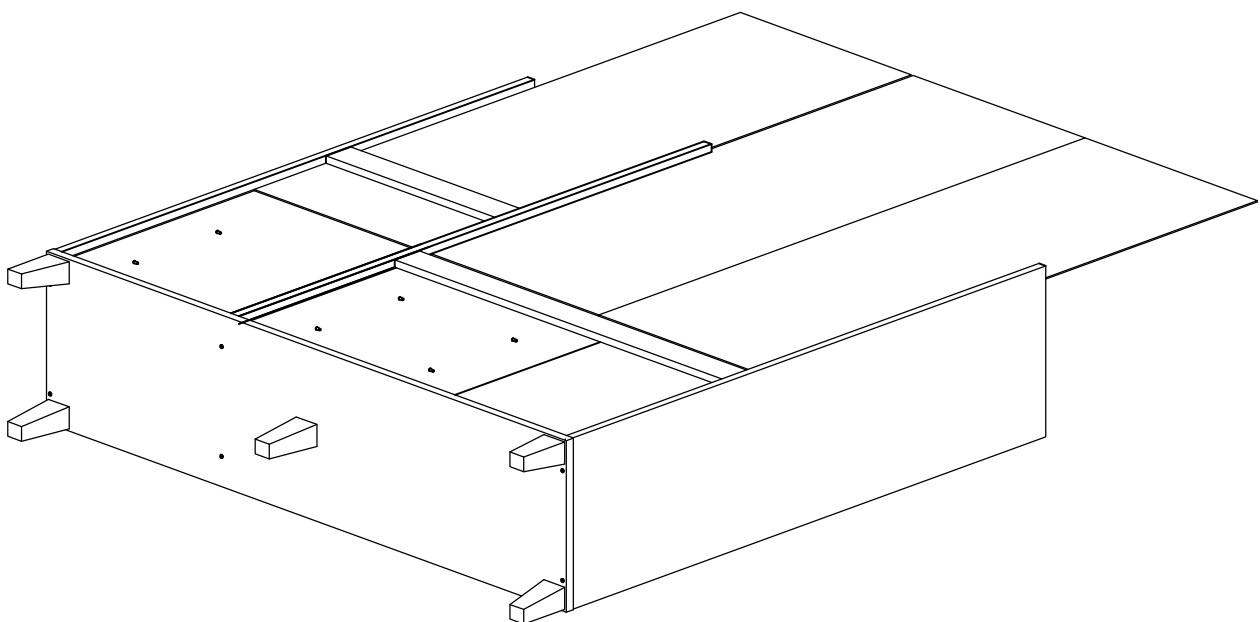


Assembly Instruction

Step 7

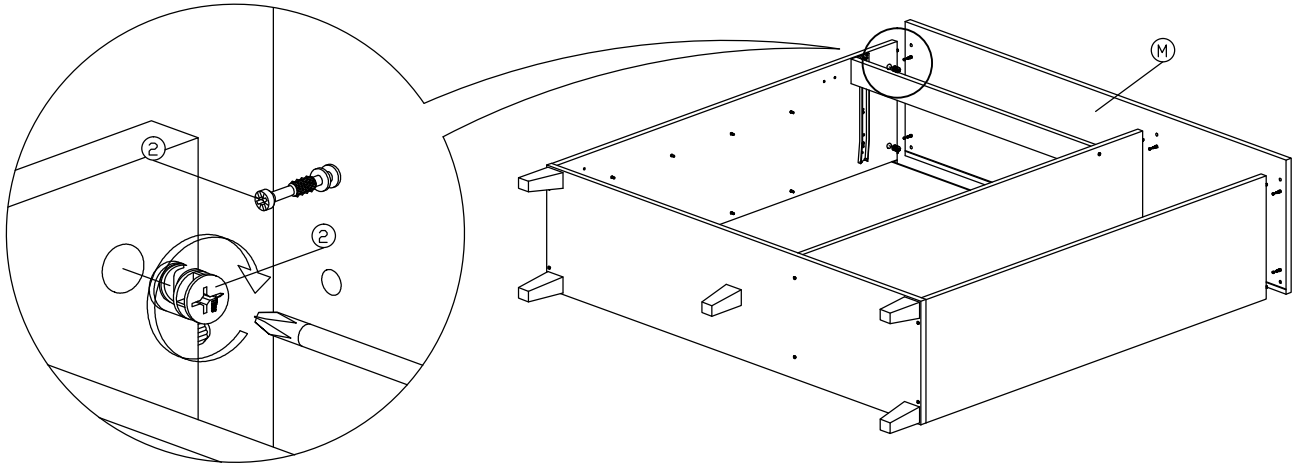


Step 8

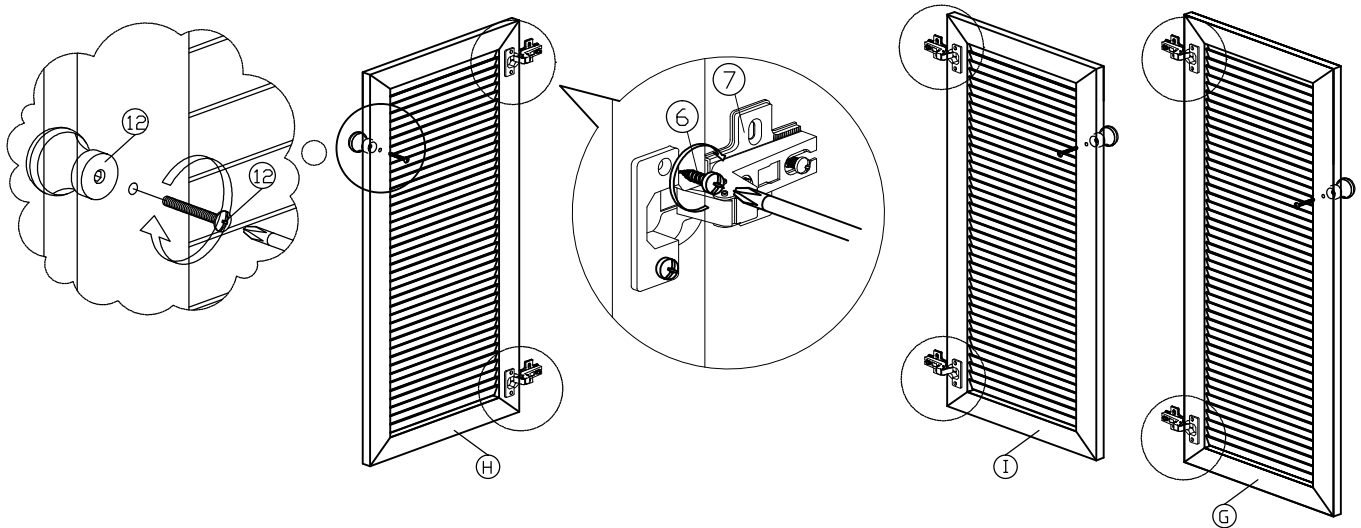


Assembly Instruction

Step 9

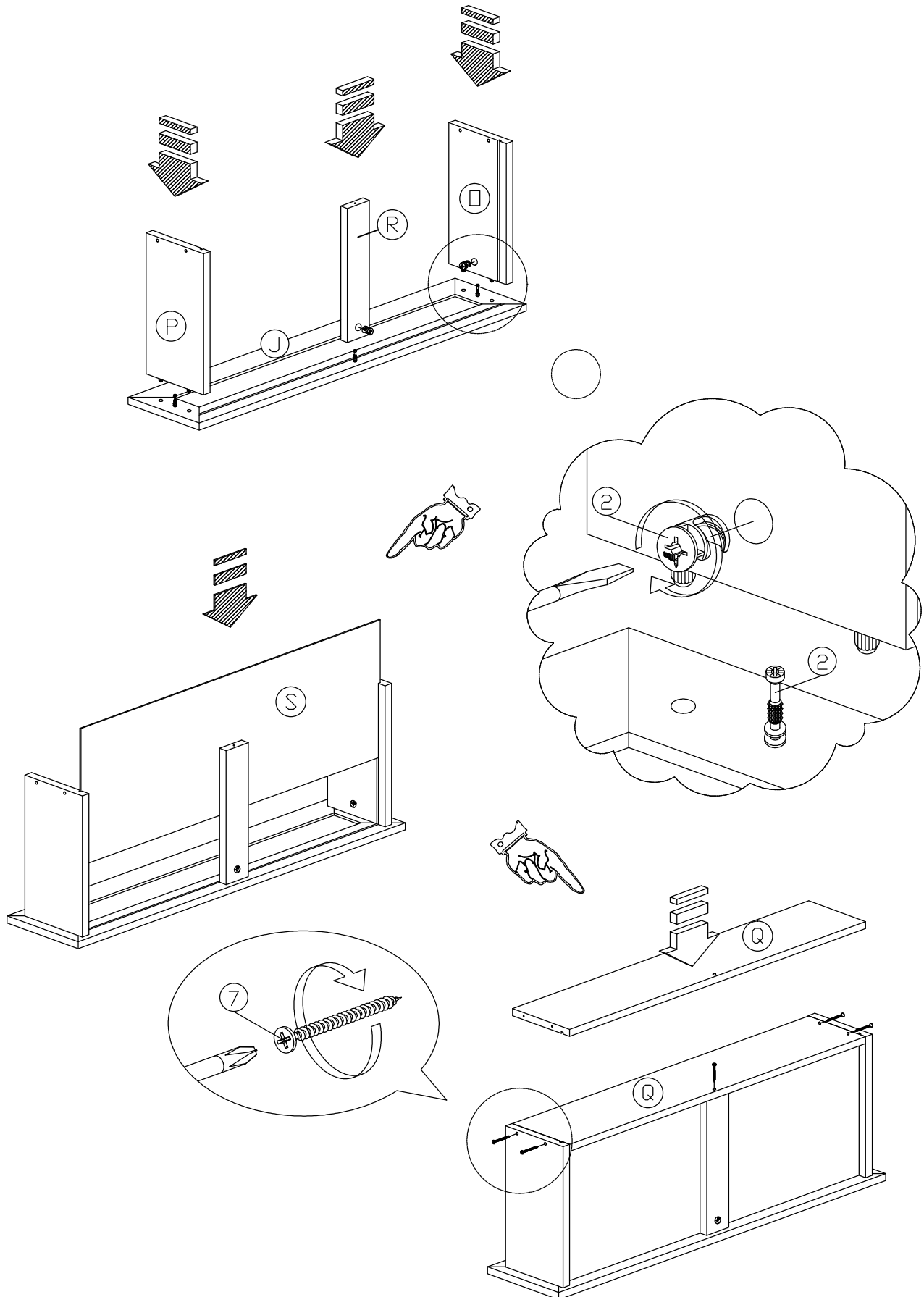


Step 10



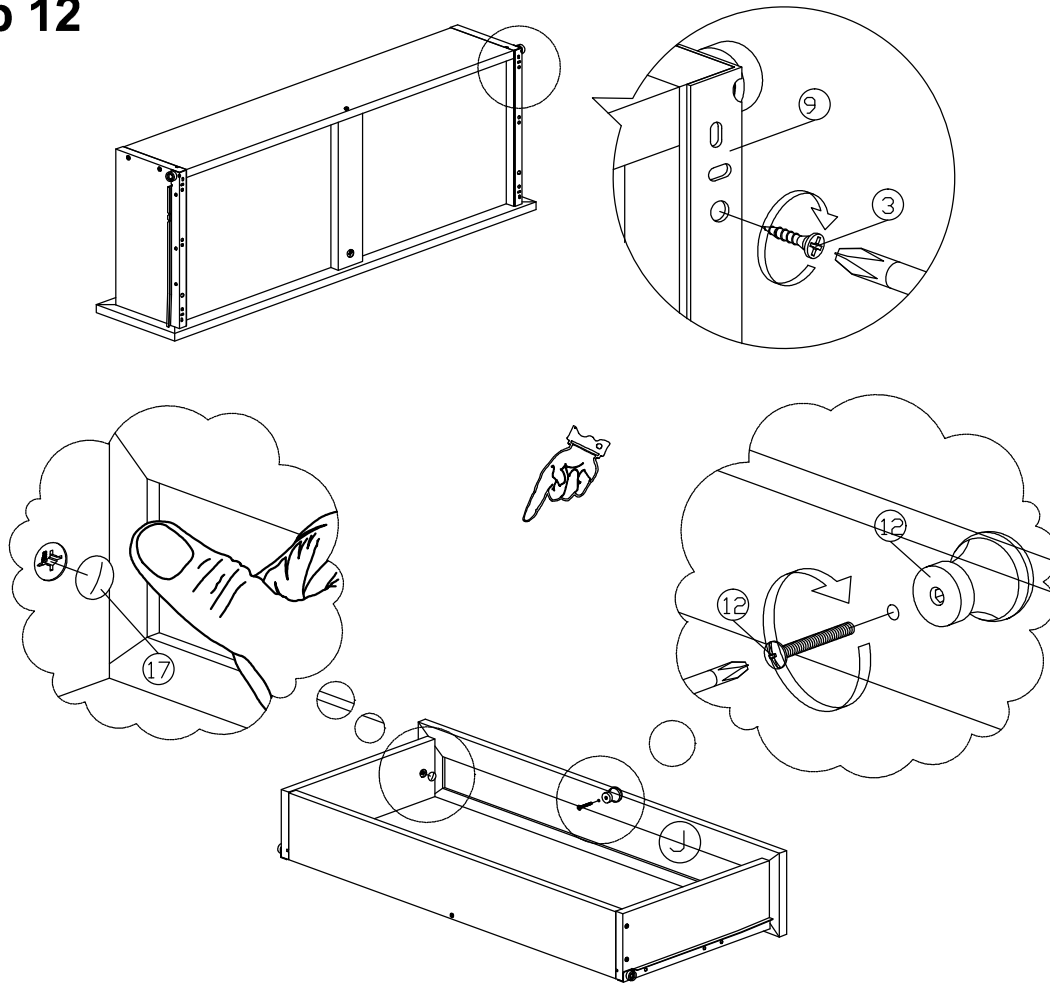
Assembly Instruction

Step 11

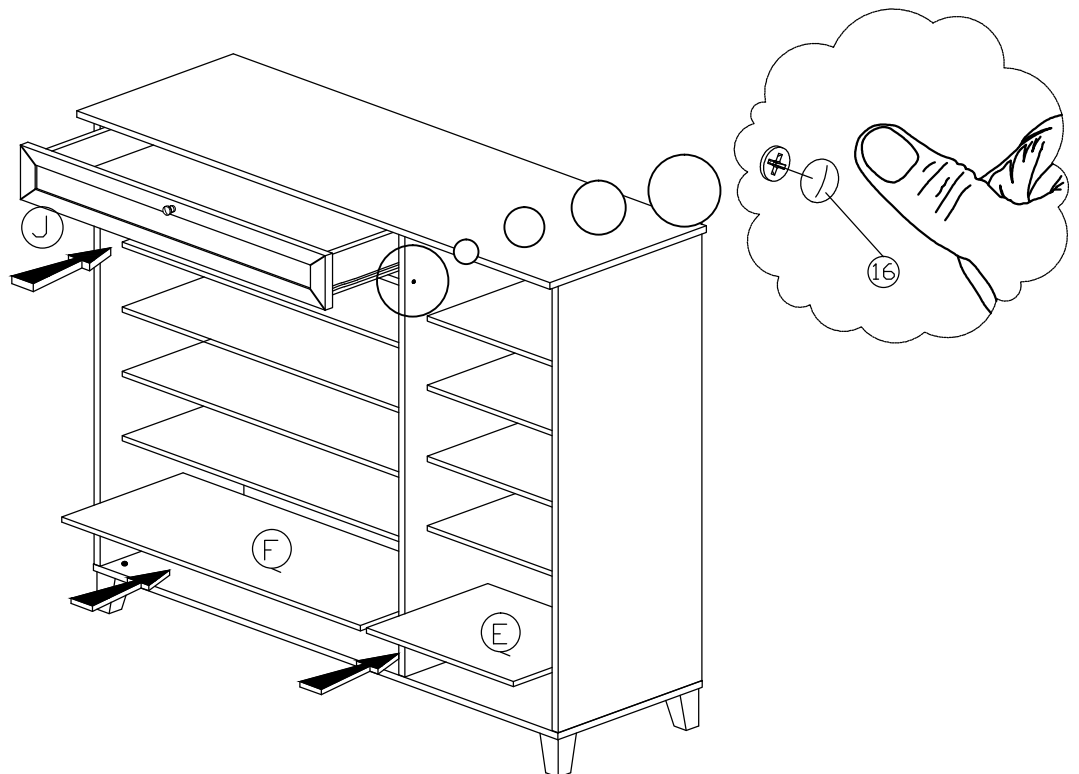


Assembly Instruction

Step 12

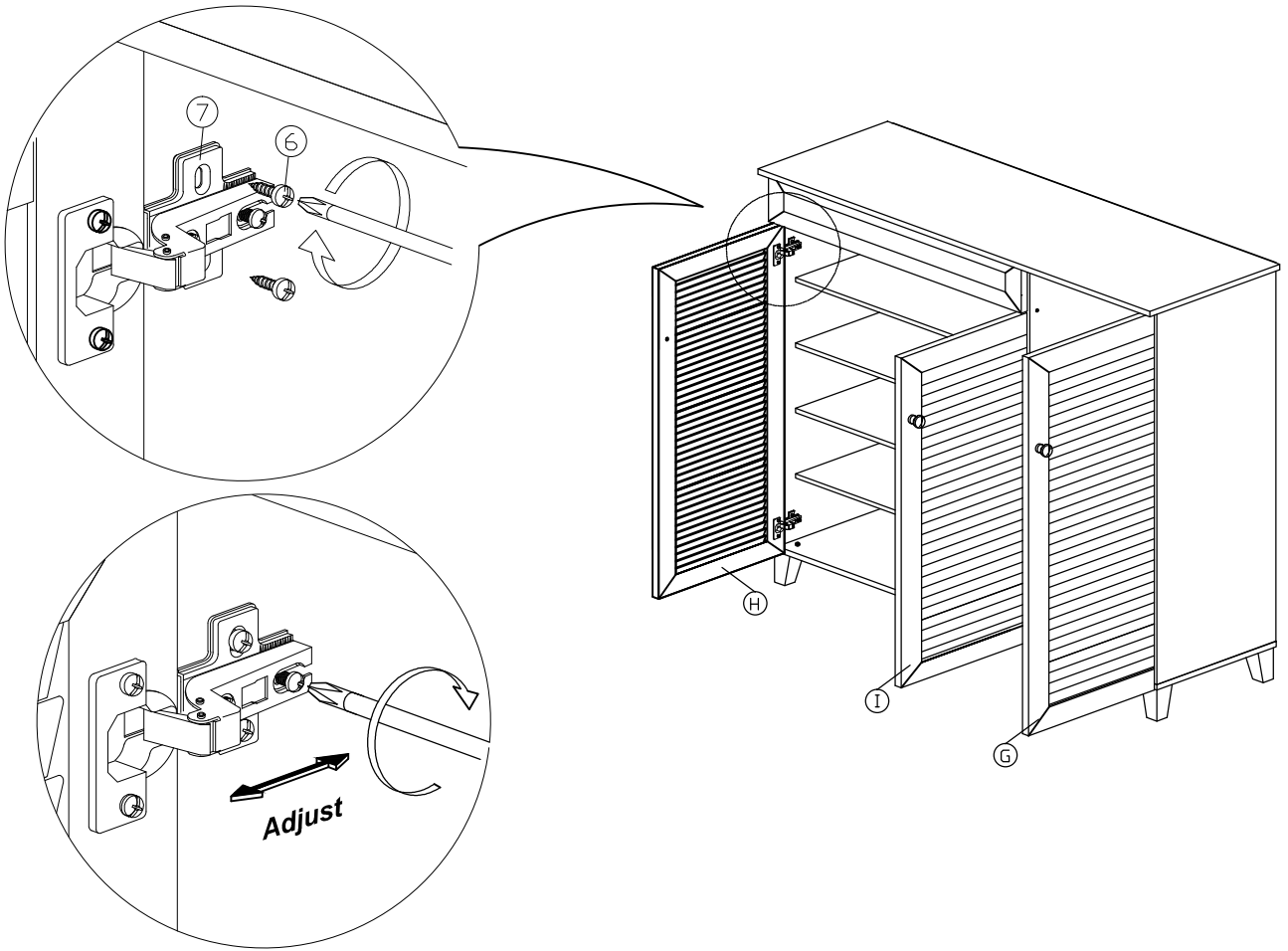


Step 13

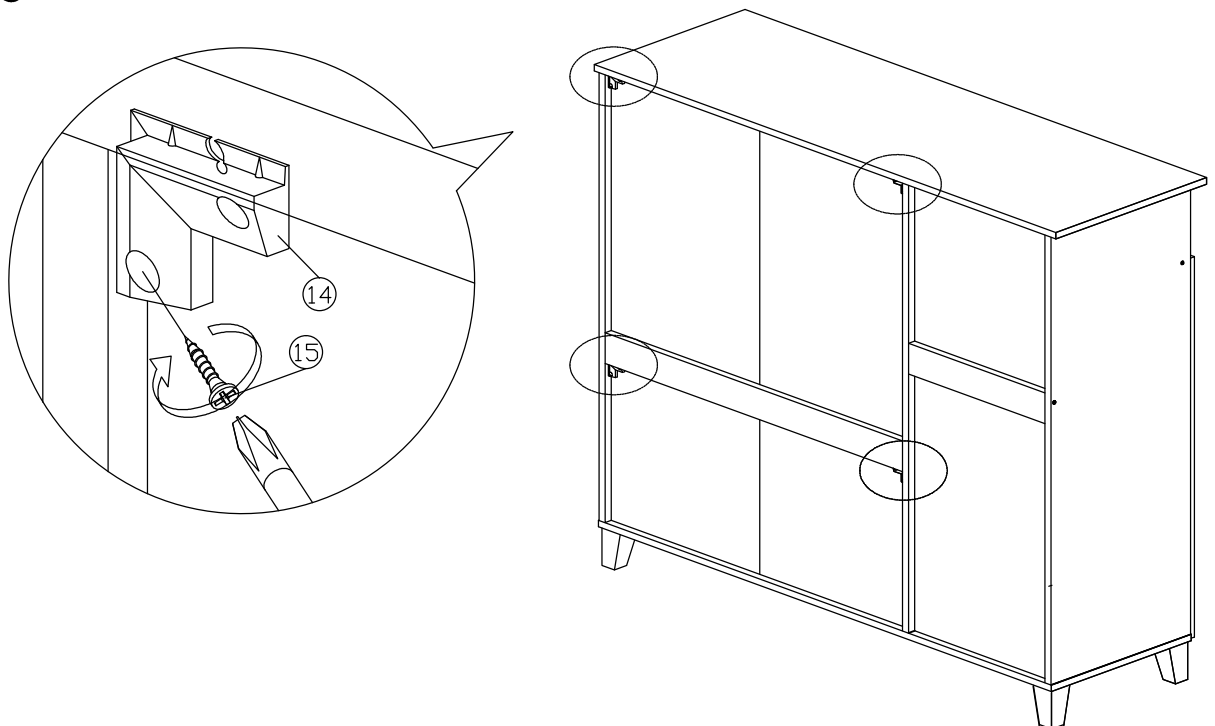


Assembly Instruction

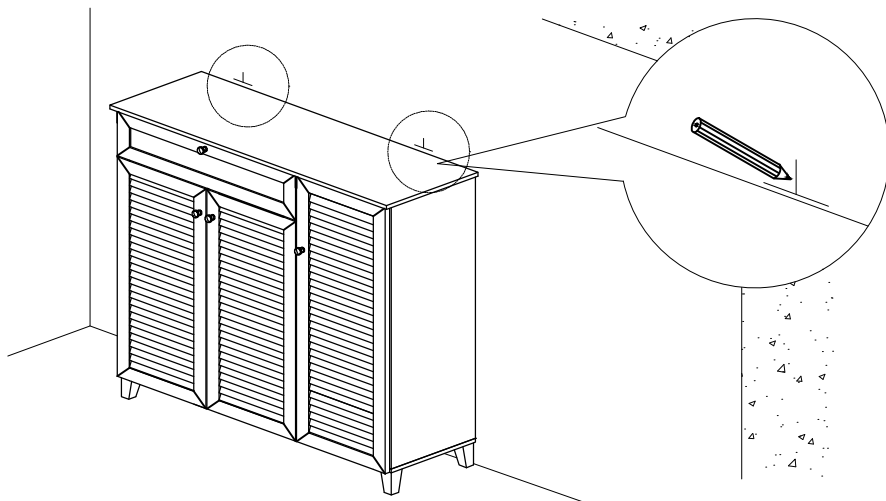
Step 14



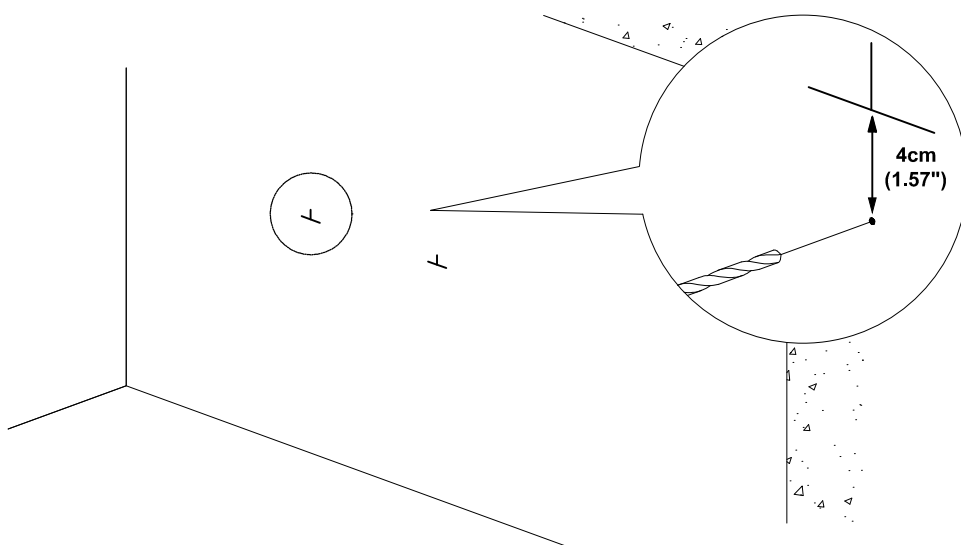
Step 15



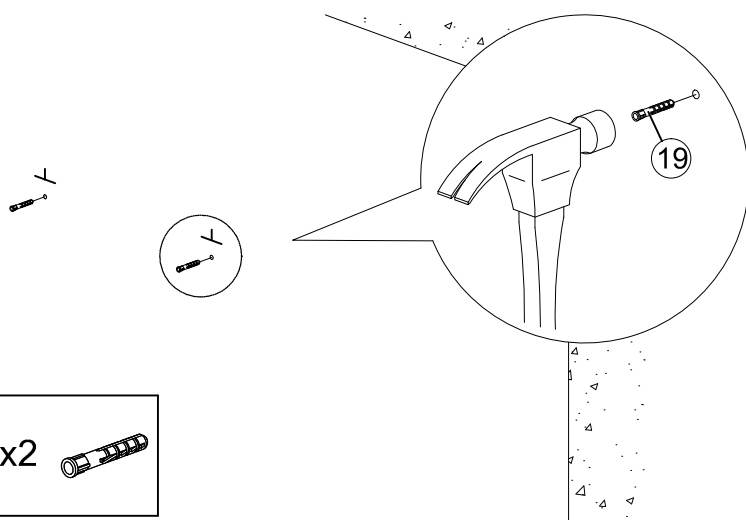
FURNITURE TIPPING RESTRAINT



1. First mark the wall with pencil as in diagram.



2. Drill small hole at the pencil mark.

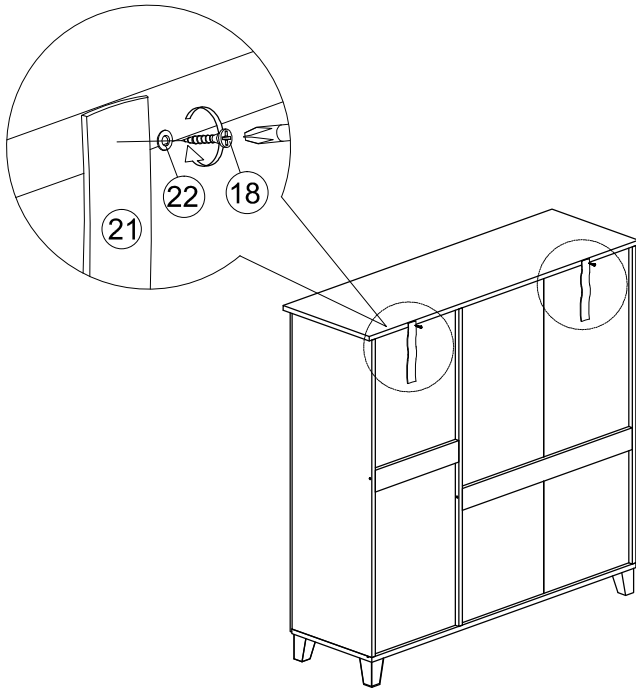


3. Insert plastic wall plug (19).

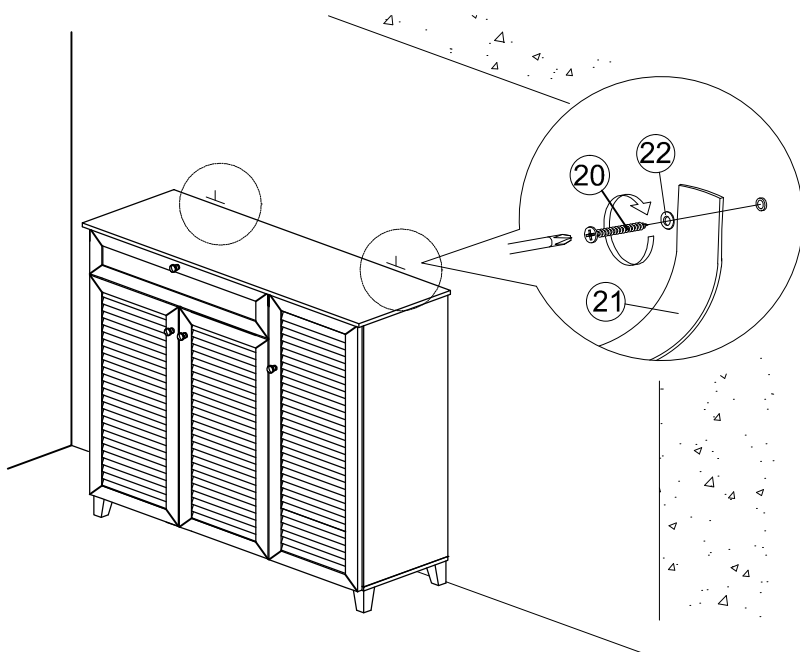
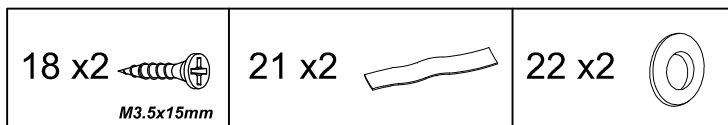
19 x2



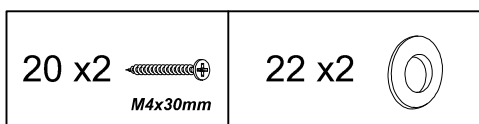
FURNITURE TIPPING RESTRAINT

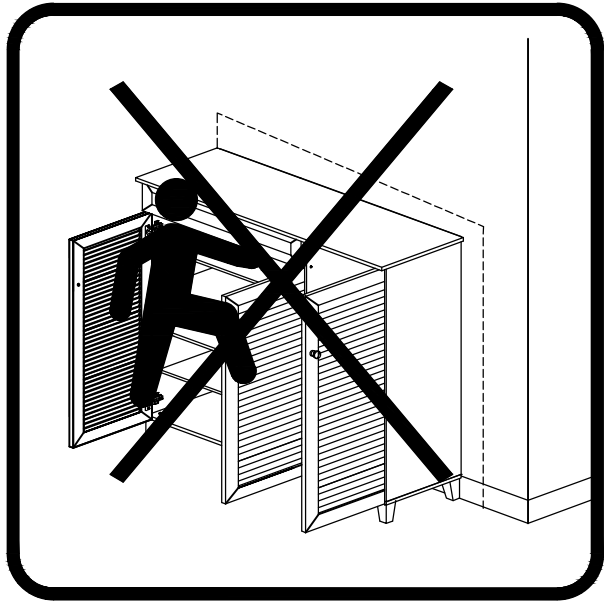
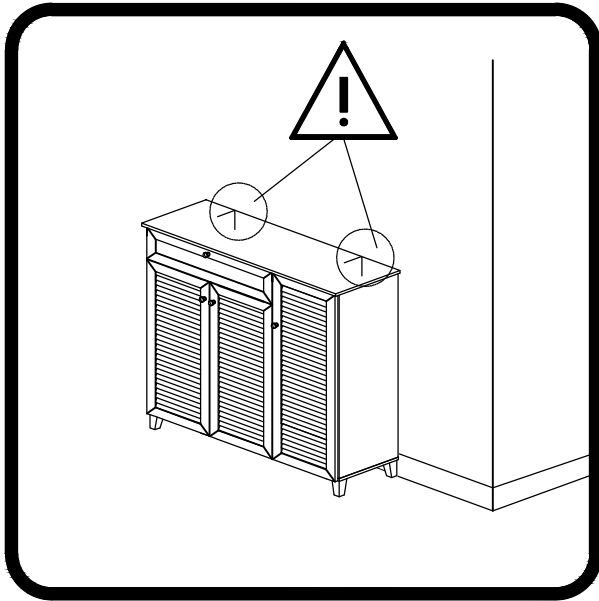


4. Add safety strap (21), washer (22) using 3.5x15mm screw (18) to back of cabinet.



5. Finally, attach safety strap (21) and washer (22) using 4x30mm screw (20) to the wall.





⚠ WARNING	
	<p>Children have died from furniture tipover. To reduce the risk of furniture tipover:</p> <ul style="list-style-type: none">• ALWAYS install tipover restraint provided.• NEVER put a TV on this product.• NEVER allow children to stand, climb or hang on drawers, doors, or shelves.• NEVER open more than one drawer at a time.• Place heaviest items in the lowest drawers. <p><i>This is a permanent label. Do not remove!</i></p>
	



Anti-Topple hardware included for added safety and stability