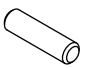
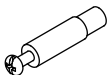
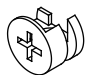

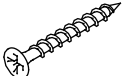




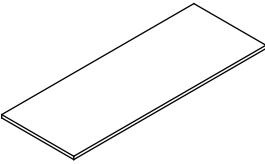
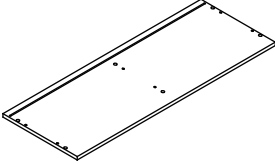
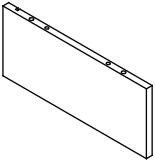
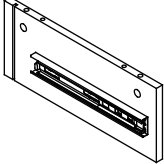
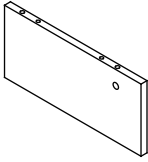
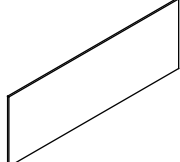
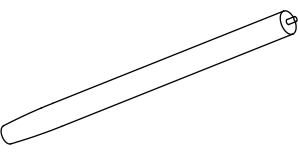
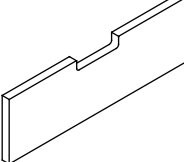
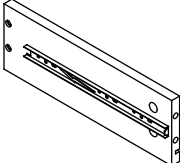
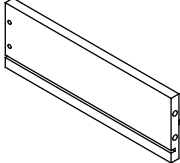
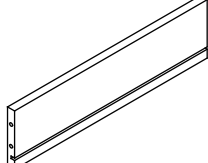
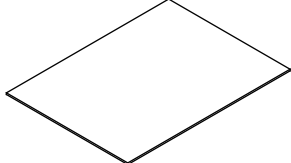


Assembly Instructions

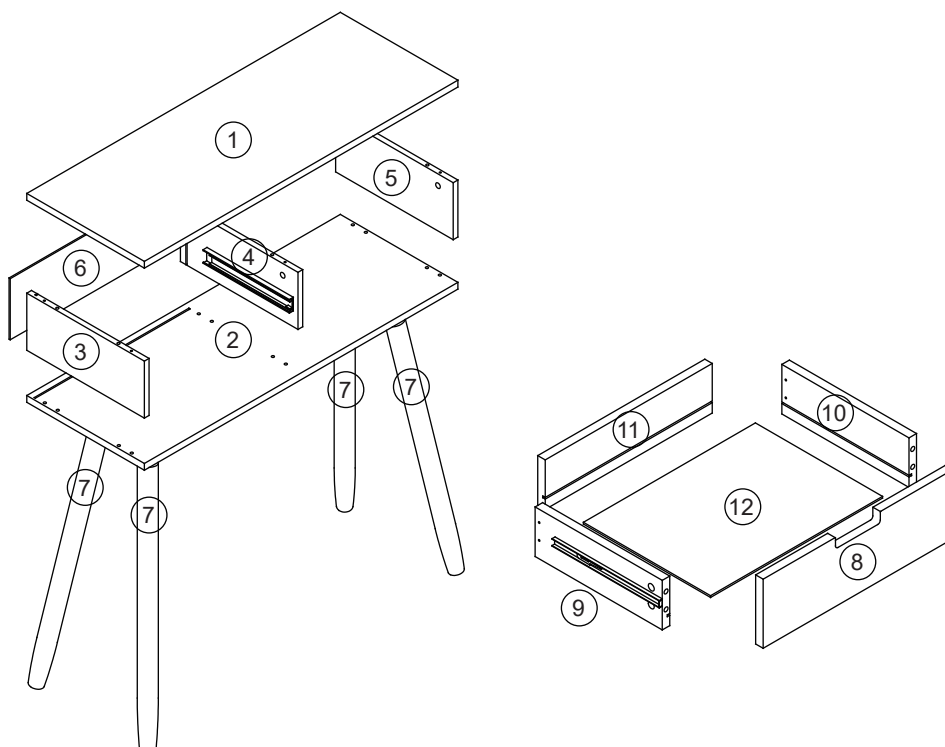
1 Hardware List

	A	6x30mm	12pcs		B		10pcs		C		10pcs
	D	M4x30mm	7pcs		E	M4x50mm	4pcs		F	M3x14mm	1pc
	G		2pcs		H		1pc		I		1pc

2 Parts List

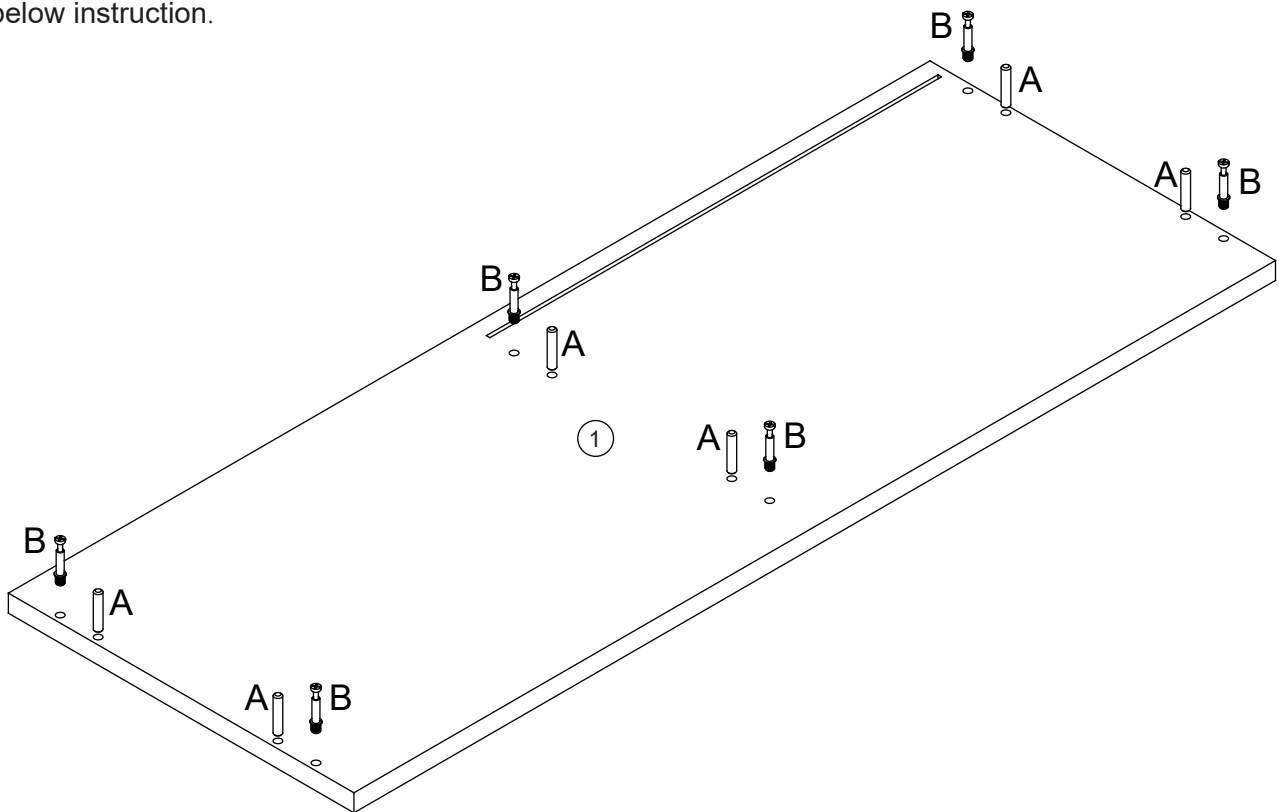
	①	1pc		②	1pc		③	1pc		④	1pc
	⑤	1pc		⑥	1pc		⑦	4pcs		⑧	1pc
	⑨	1pc		⑩	1pc		⑪	1pc		⑫	1pc

3



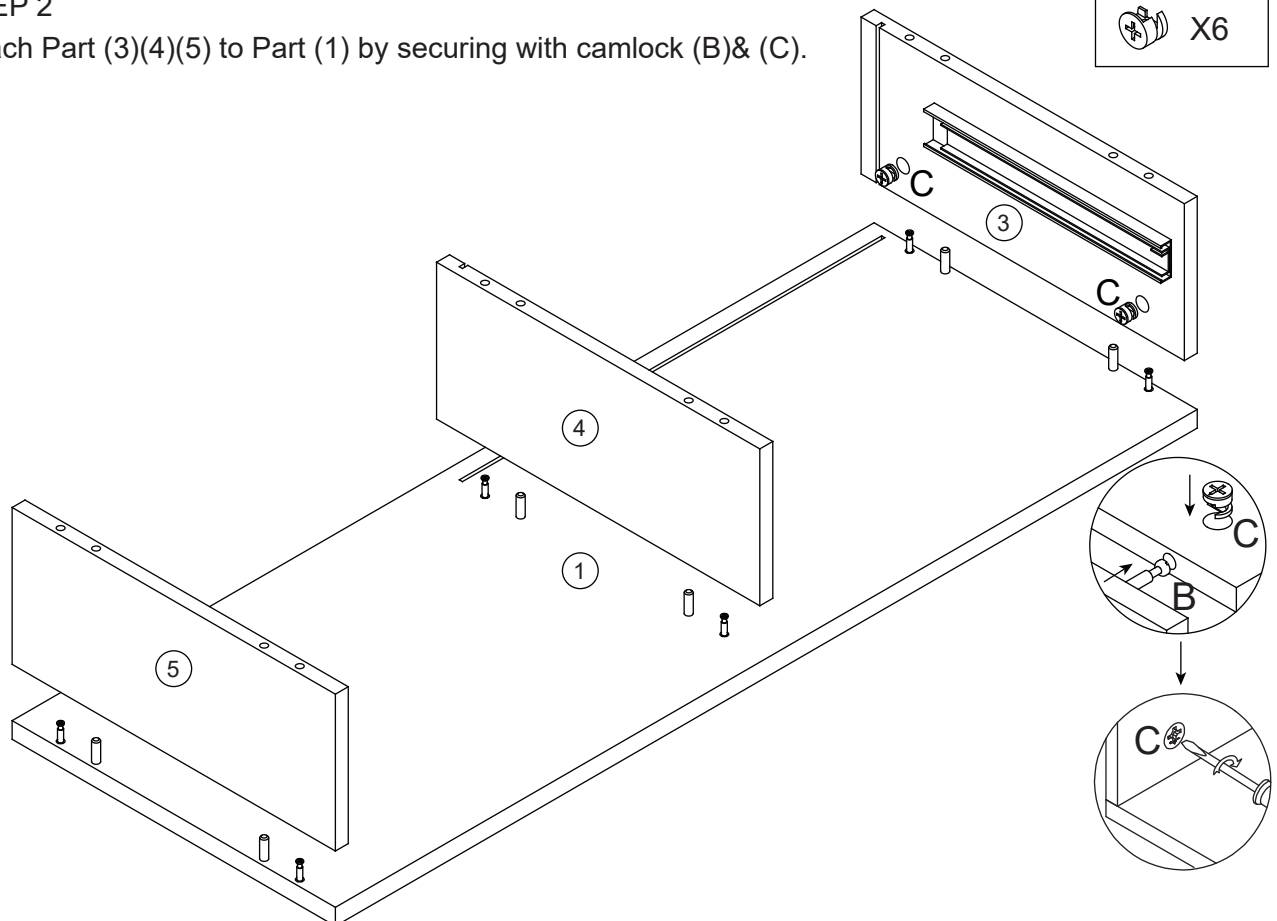
STEP 1

Insert wooden dowel(A) to Part (1) as below instruction.
Secure male camlock (B) to Part (1) with screwdriver as below instruction.



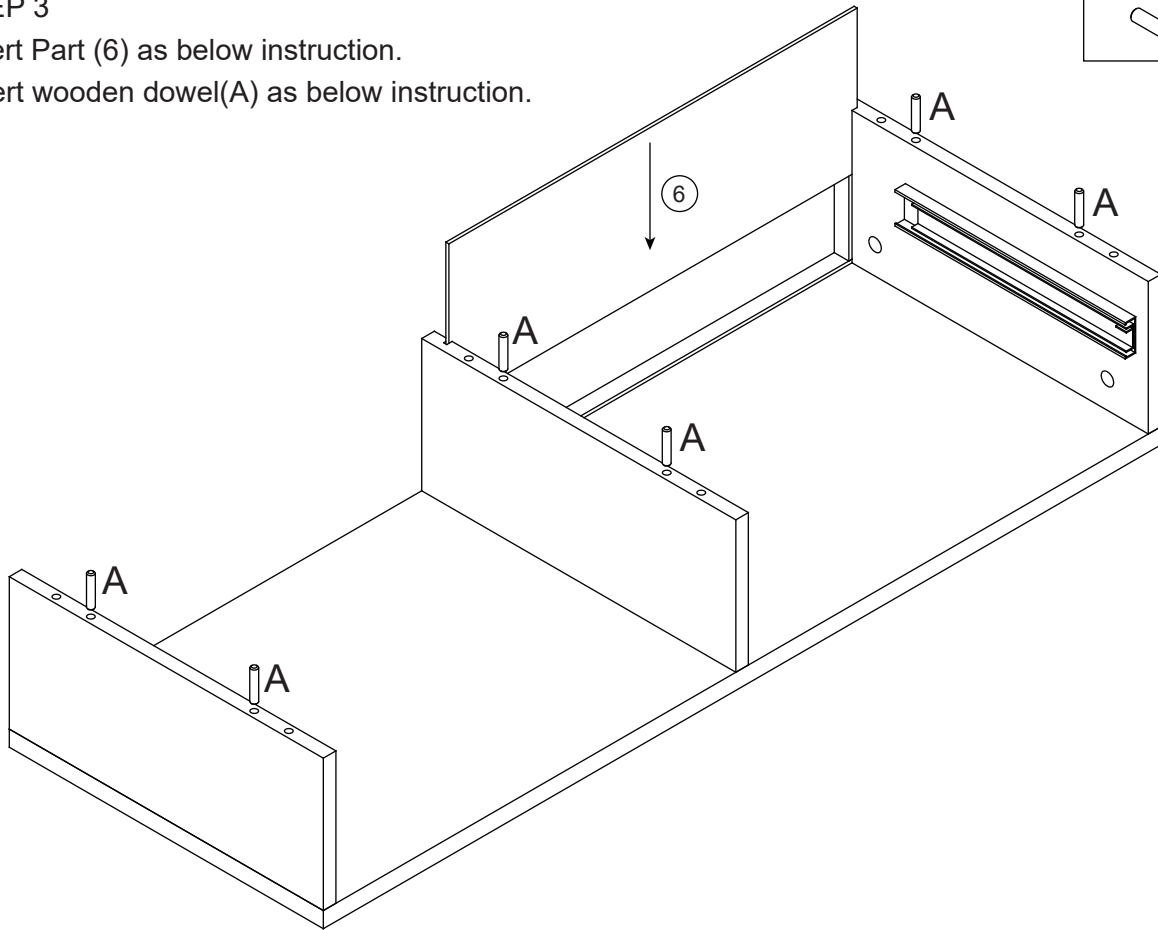
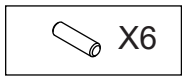
STEP 2

Attach Part (3)(4)(5) to Part (1) by securing with camlock (B) & (C).



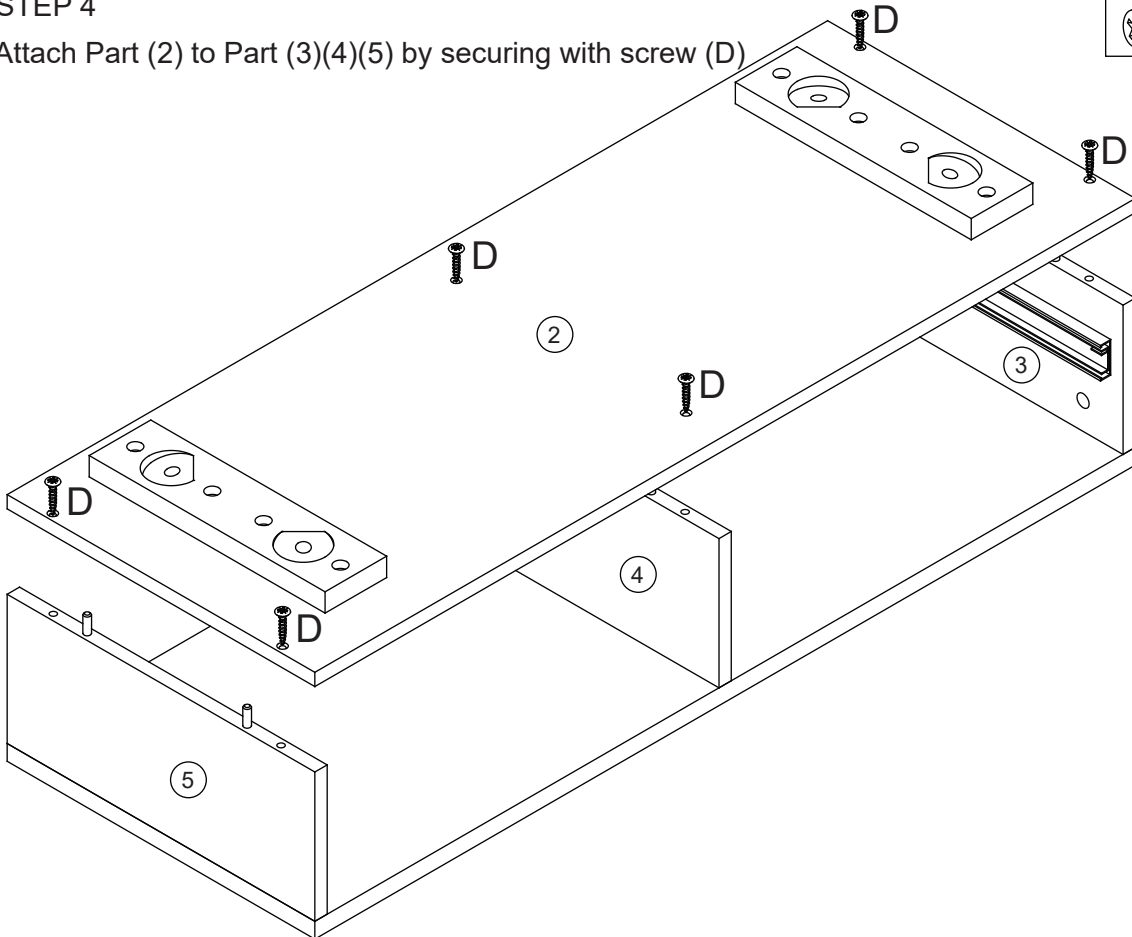
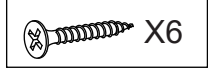
STEP 3

Insert Part (6) as below instruction.
Insert wooden dowel(A) as below instruction.



STEP 4

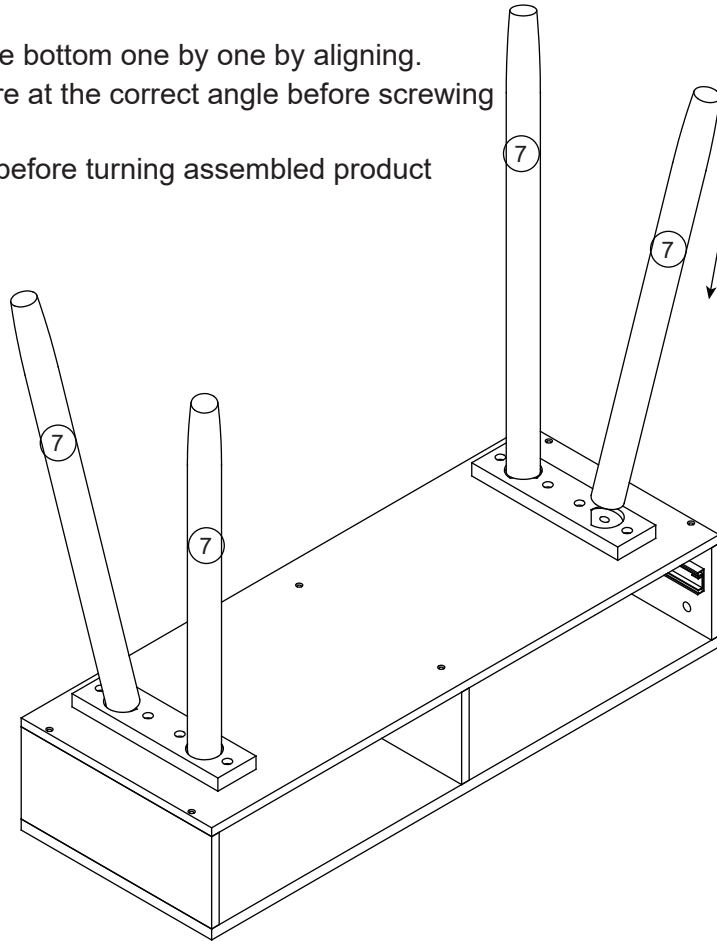
Attach Part (2) to Part (3)(4)(5) by securing with screw (D)



STEP 5

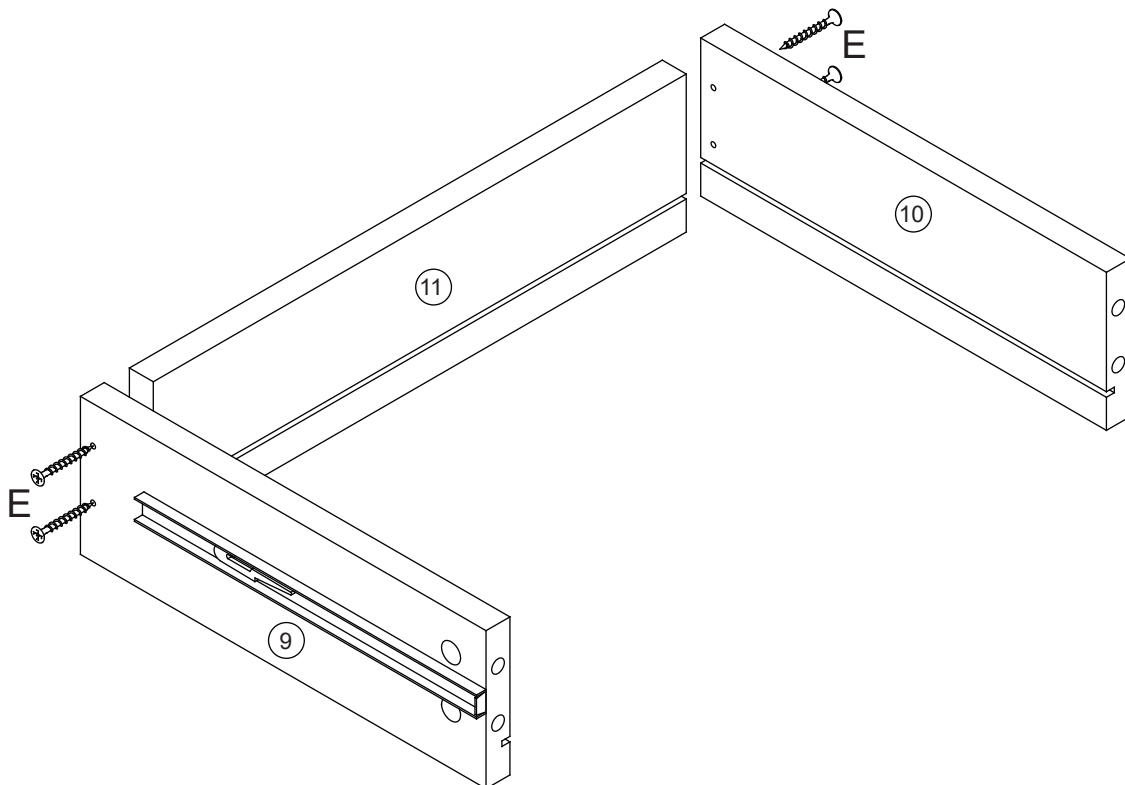
Screw leg (7) to the bottom one by one by aligning.
Pls ensure legs are at the correct angle before screwing them in.

Tighten each leg before turning assembled product upside down.



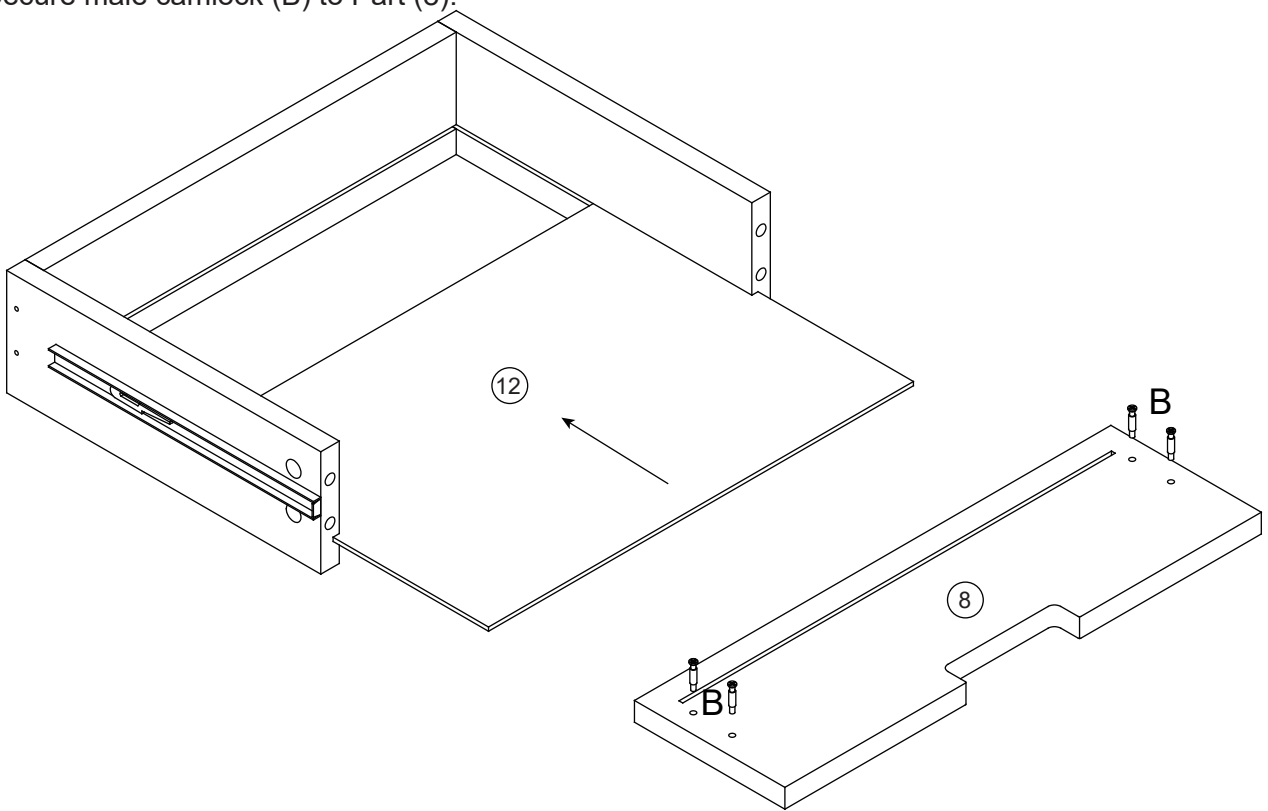
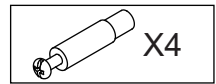
STEP 6

Attach Part(9)(10) to Part (11) by securing with screw (E).



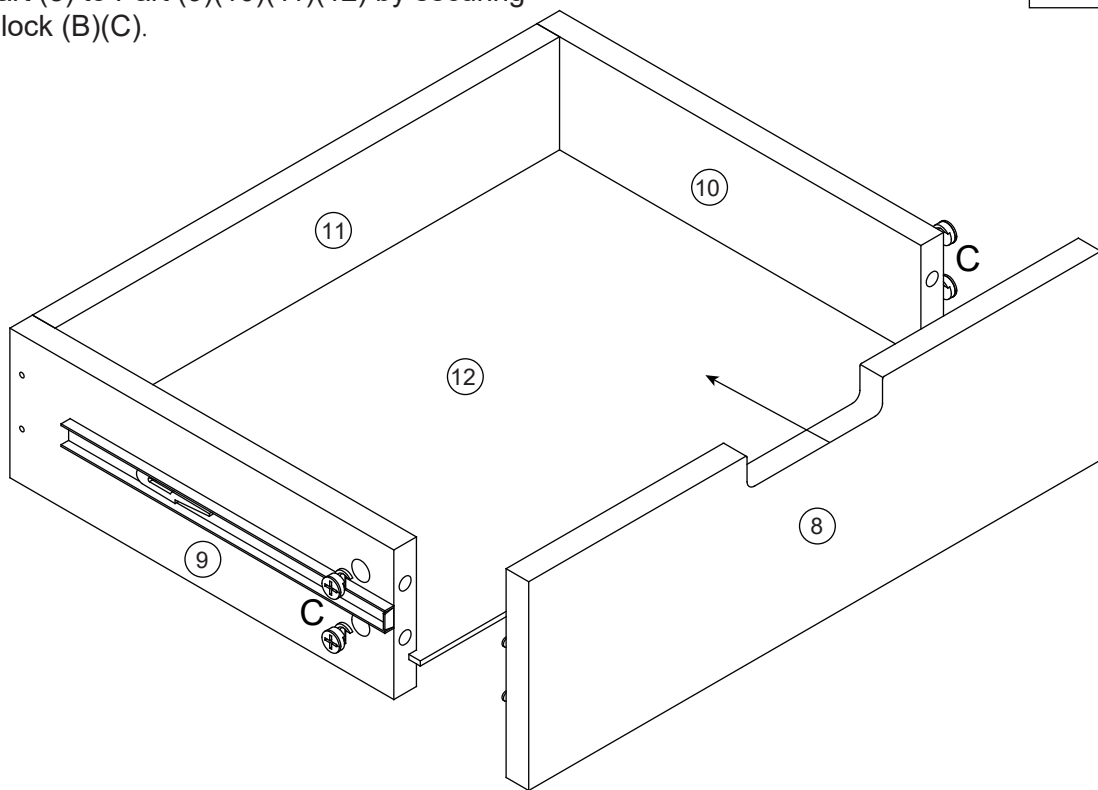
STEP 7

Insert Part (12) as below instruction.
Secure male camlock (B) to Part (8).



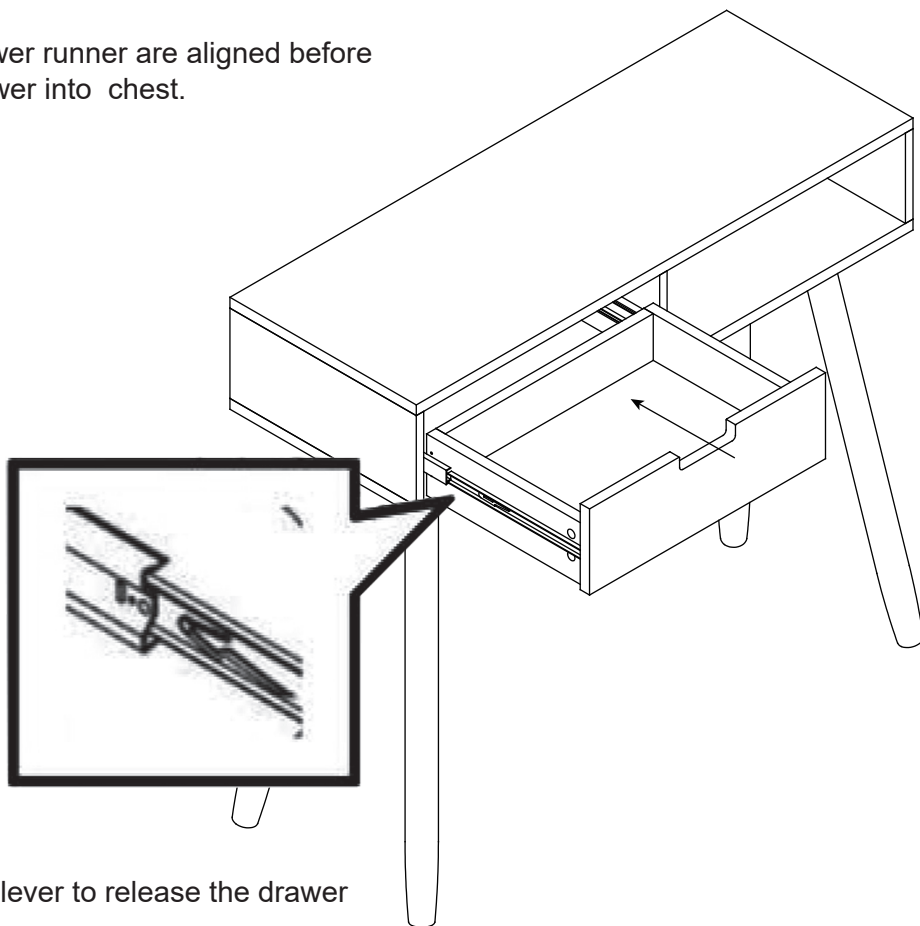
STEP 8

Attach Part (8) to Part (9)(10)(11)(12) by securing
with camlock (B)(C).



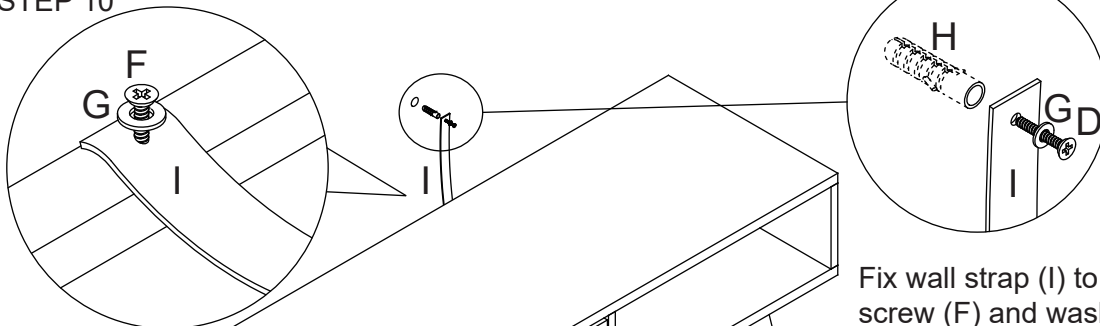
STEP 9

Ensure the drawer runner are aligned before pushing the drawer into chest.



Lift / Press the lever to release the drawer

STEP 10



Fix wall strap (I) to the product with screw (F) and washer (G).

Drill one hole on the wall.

Hammer (H) into the hole.

Fix wall strap (I) to (H) with screw (D) and washer (G).

TOPPLING FURNITURE WARNING:

- › It is strongly recommended that this product is permanently fixed to the wall.
- › Please seek professional advice if you are in doubt of what fixing device to use.
- › Regularly check that anchors are securely maintained.
- › Stability of tall items may be affected by thick pile carpet or uneven floors.
- › Do not place unanchored televisions on furniture.

Caution! When attaching the anchor fixings, check for any electrical wires or plumbing behind the wall before drilling any holes (if you are unsure, please seek professional advice from a qualified tradesperson).