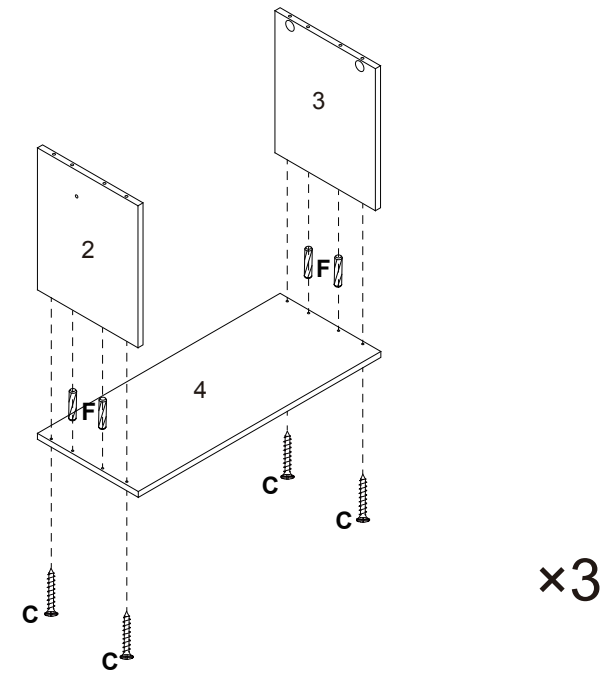


1

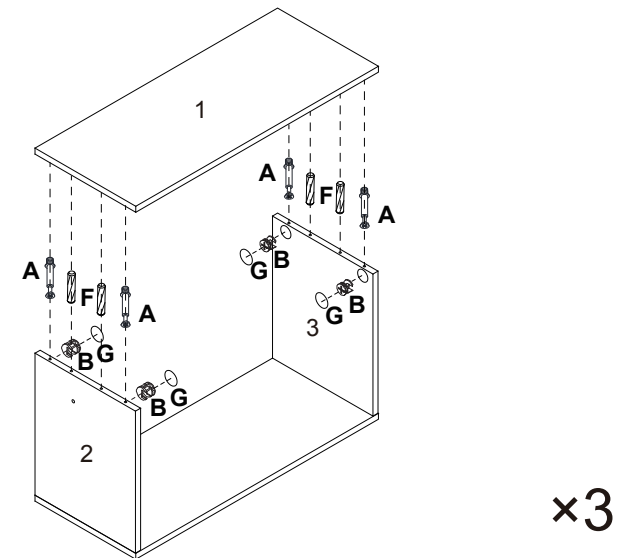
Attach piece 2 & 3 to piece 4 using wooden dowels (F), screws (C).



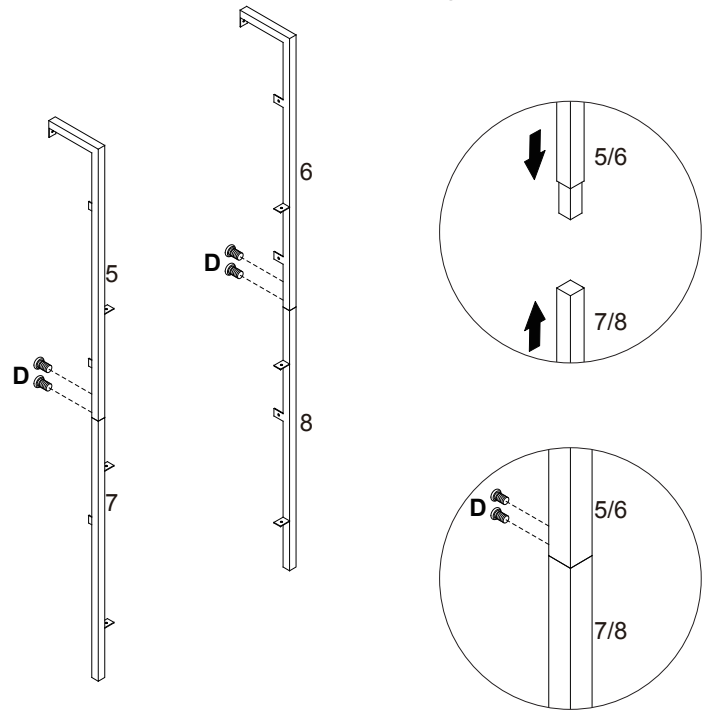
<b>A</b>		12 PCS
<b>B</b>		12 PCS
<b>C</b>		14 PCS
<b>D</b>		16 PCS
<b>E</b>		2 PCS
<b>F</b>		24PCS
<b>G</b>		12PCS

2

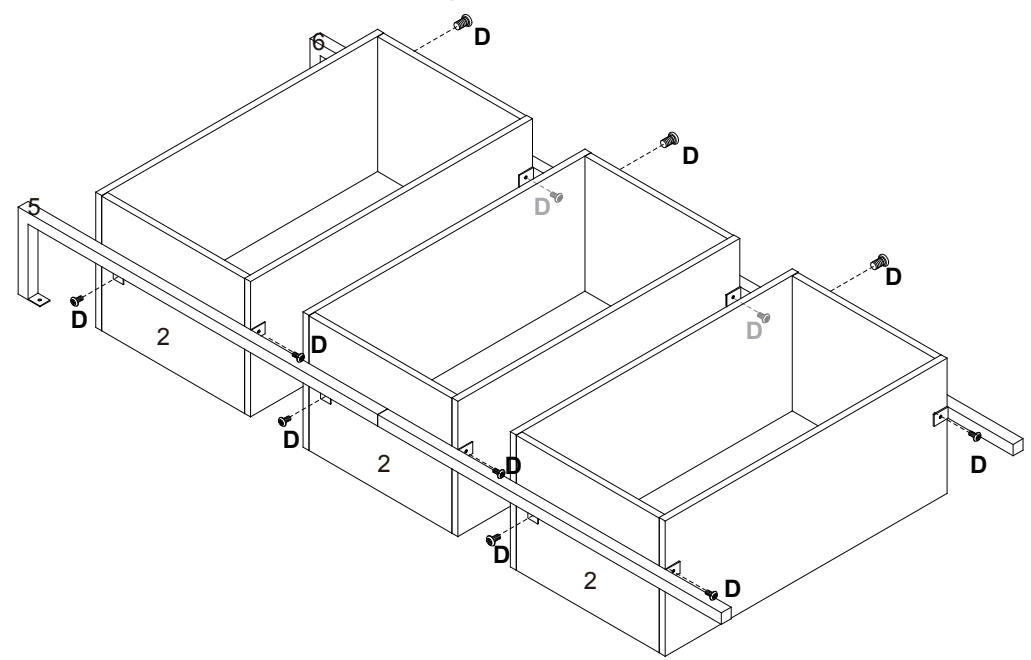
Then attach piece 1 using wooden dowels (F), cam dowels (A) and cam locks (B), tighten the cross dowels then attach screw covers (G).



**3** Join piece 5 to 7 and piece 6 to 8 using screw (D).



**4** Attach 3 section to frame using screw (D).



**5** Secure the unit to a wall in your chosen location using wall plugs (E) and screws (C).

