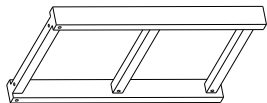
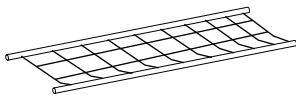


# Assemble Instruction

Attention : Do not tighten the screws until you have complete setup assembly.



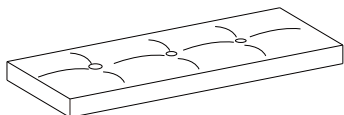
**1** × 2



**2** × 2



**3** × 2



**4** × 1



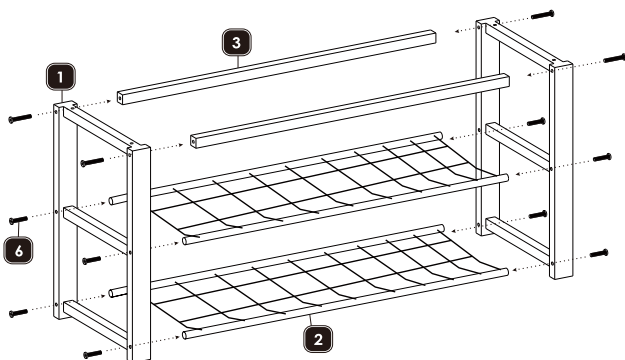
**5** × 4



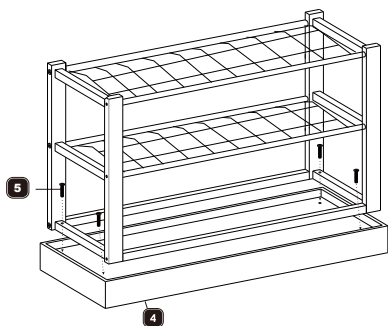
**6** × 12



**7** × 1



**6** × 12



**5** × 4

