

Assembly Instructions

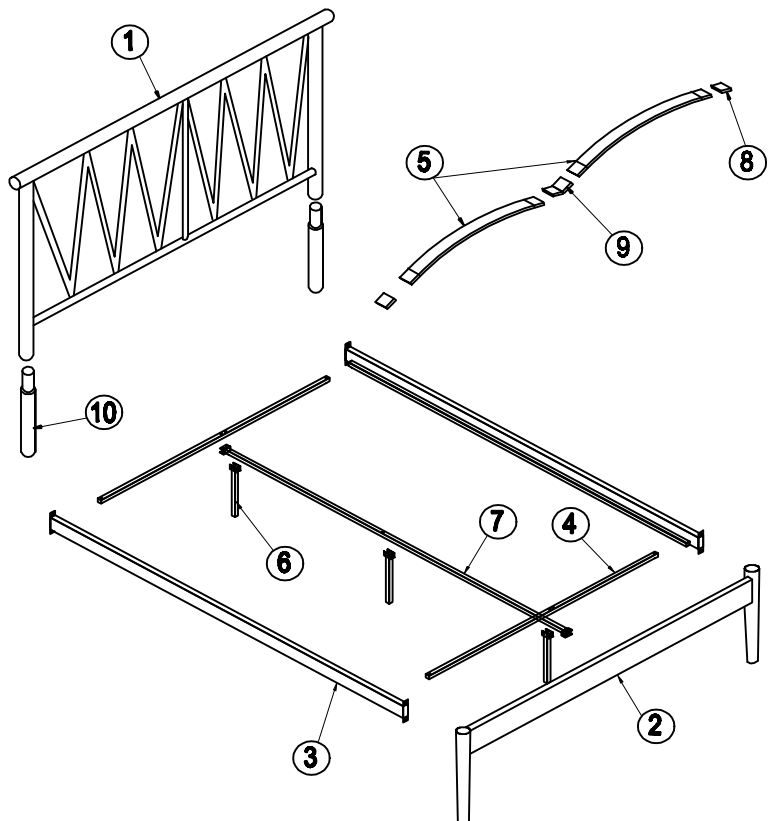
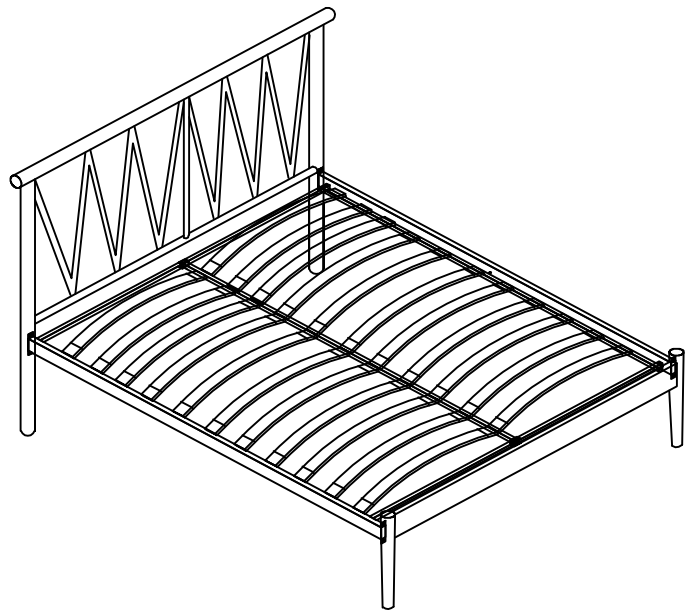
Model: TS LIDIA DOUBLE BED

PART LIST

NO	DESCRIPTION	QTY
1	HEADBOARD HB	1 PCS
2	FOOTBOARD FB	1 PCS
3	SIDE RAIL SR	2 PCS
4	CROSS BAR	2 PCS
5	BENDWOOD SLAT	22 PCS
6	SUPORT LEGS	3 PCS
7	CENTER BAR	1 PCS
8	END CAP	22 PCS
9	MIDDLE CAP	11 PCS
10	HB JOINT	2 PCS

HARDWARE LIST

NO	DESCRIPTION	QTY
A	 JCBC (M6X20)	6 PCS
B	 JCBC (M6X35)	14 PCS
C	 35 MM ROUND CAP	4 PCS
D	 M6 WASHER	12 PCS
E	 M6 HEX NUT	12 PCS
F	 M10 WRENCH	1 PCS
G	 ALLEN KEY	1 PCS
H	 JCBC (M6X50)	2 PCS

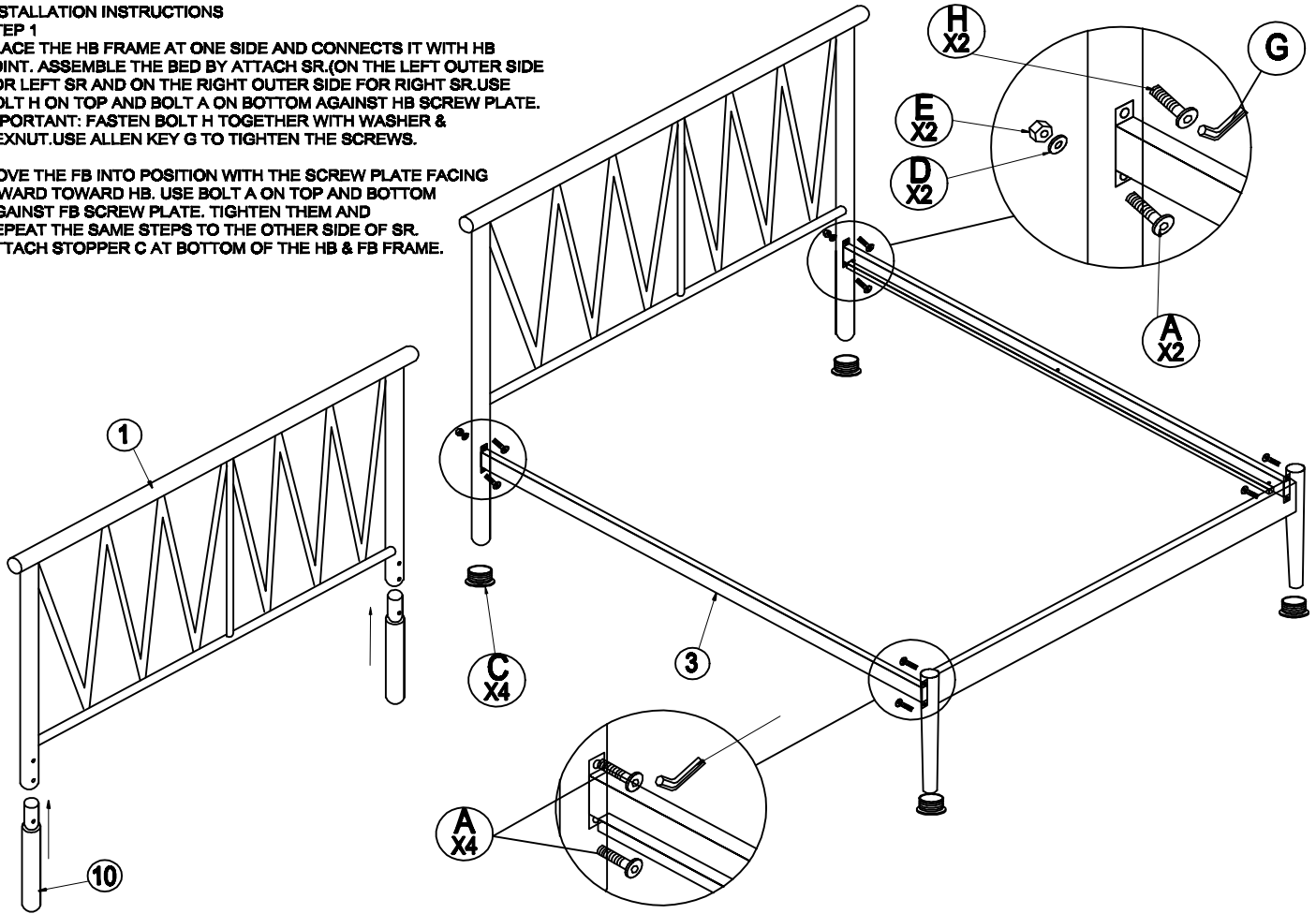


INSTALLATION INSTRUCTIONS

STEP 1

PLACE THE HB FRAME AT ONE SIDE AND CONNECTS IT WITH HB JOINT. ASSEMBLE THE BED BY ATTACH SR.(ON THE LEFT OUTER SIDE FOR LEFT SR AND ON THE RIGHT OUTER SIDE FOR RIGHT SR.USE BOLT H ON TOP AND BOLT A ON BOTTOM AGAINST HB SCREW PLATE. IMPORTANT: FASTEN BOLT H TOGETHER WITH WASHER & HEXNUT.USE ALLEN KEY G TO TIGHTEN THE SCREWS.

MOVE THE FB INTO POSITION WITH THE SCREW PLATE FACING INWARD TOWARD HB. USE BOLT A ON TOP AND BOTTOM AGAINST FB SCREW PLATE. TIGHTEN THEM AND REPEAT THE SAME STEPS TO THE OTHER SIDE OF SR. ATTACH STOPPER C AT BOTTOM OF THE HB & FB FRAME.

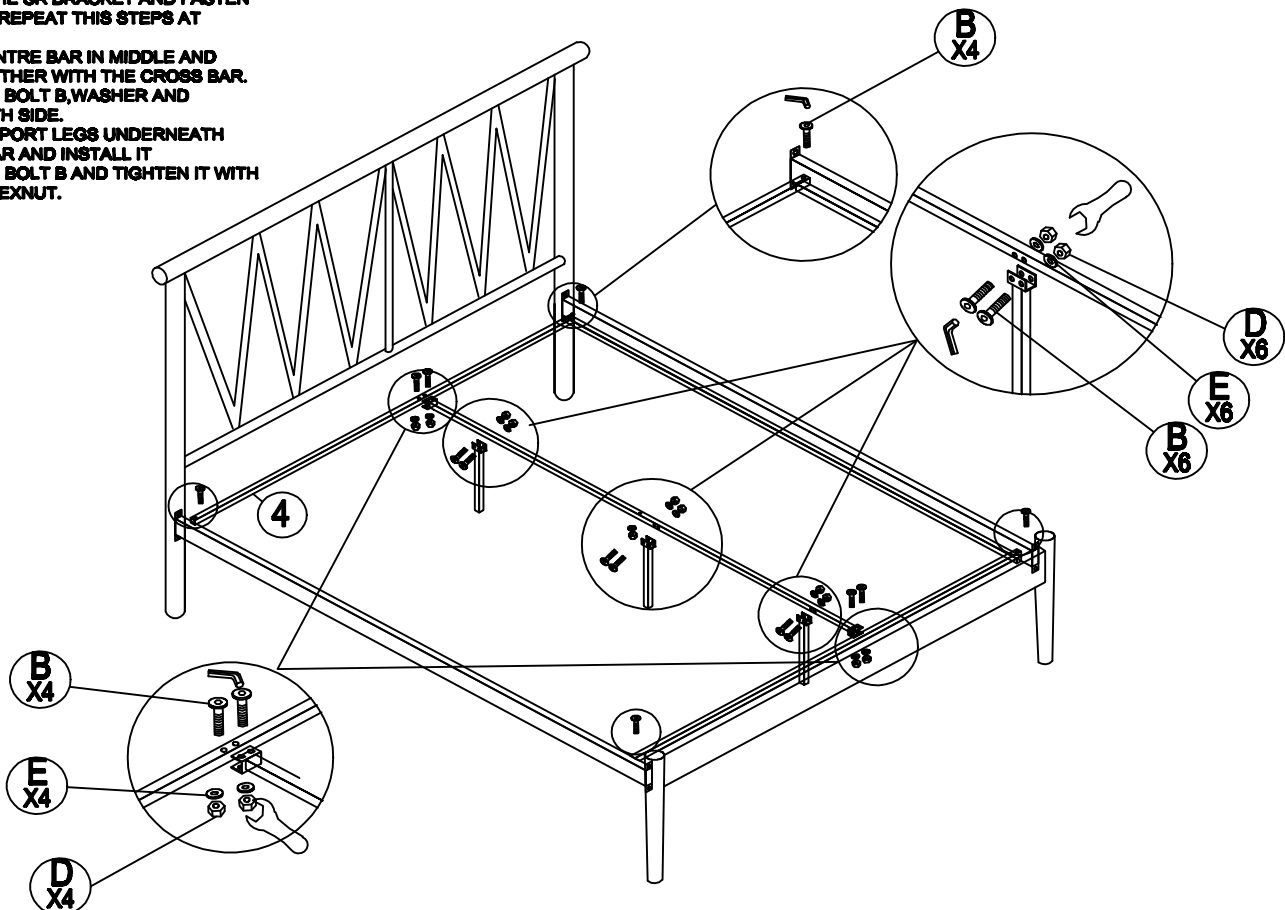


STEP 2

ASSEMBLE OF THE BED'S BASE.PLACE CROSS BAR AGAINST THE SR BRACKET AND FASTEN IT WITH BOLT B.REPEAT THIS STEPS AT OTHER SIDES.

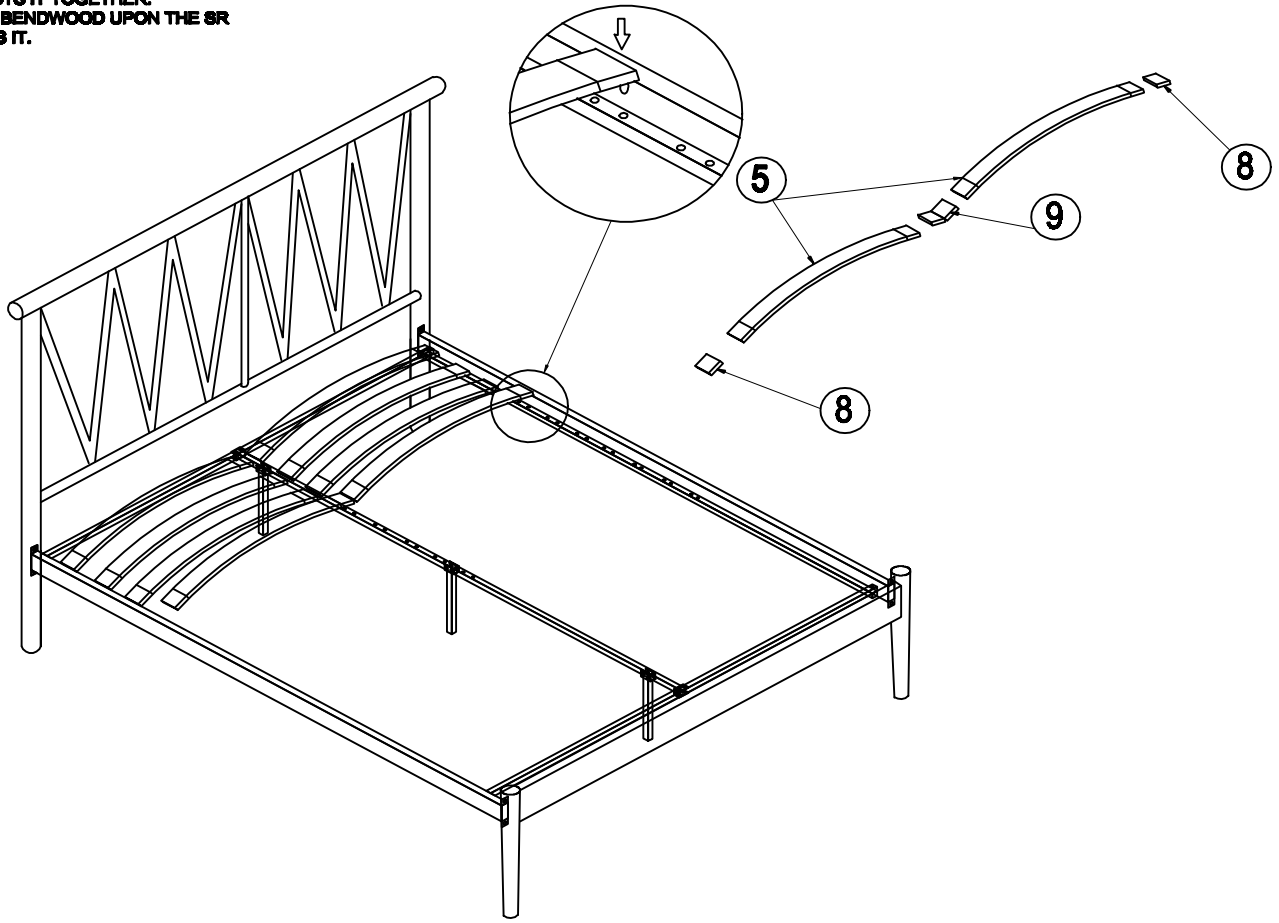
PUT UP THE CENTRE BAR IN MIDDLE AND INSERT IT TOGETHER WITH THE CROSS BAR. FASTEN IT WITH BOLT B,WASHER AND HEXNUT AT BOTH SIDE.

PLACE THE SUPPORT LEGS UNDERNEATH THE CENTRE BAR AND INSTALL IT TOGETHER.USE BOLT B AND TIGHTEN IT WITH WASHER AND HEXNUT.



STEP 3

ATTACH THE BENDWOODS WITH STOPPER 8 & 9 AND CONNECTS IT TOGETHER. PLACE THE JOIN BENDWOOD UPON THE SR BASE AND PRESS IT.



FULLY SETS UP.

