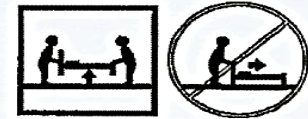
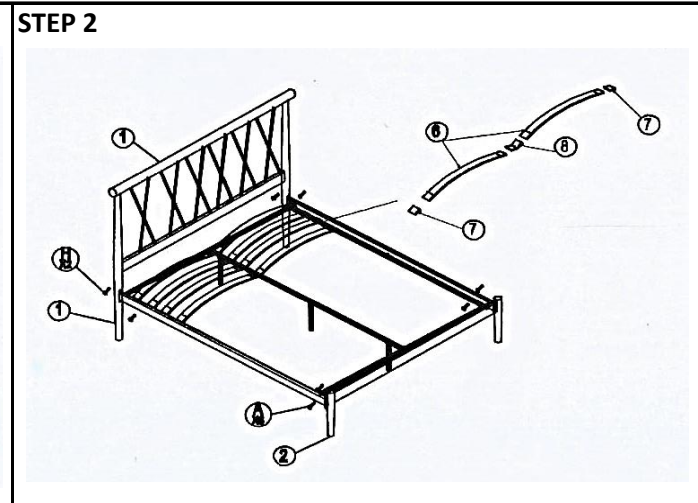
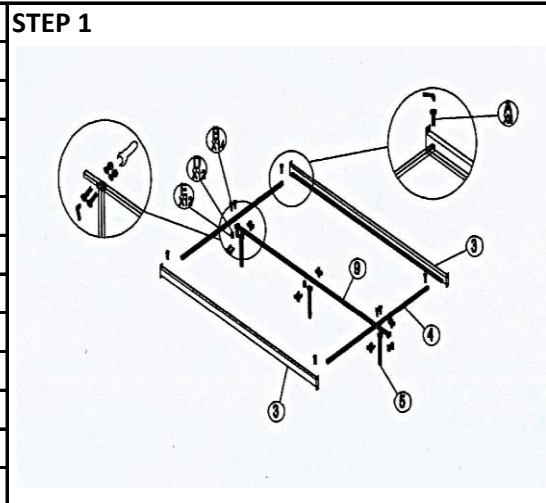


MODEL : TS NANO
 DESCRIPTION : DOUBLE BED

ASSEMBLY INSTRUCTION



| PART LIST | | |
|-----------|----------------|--------|
| NO | DESCRIPTION | QTY |
| 1 | HEADBOARD | 1 PC |
| 2 | FOOTBOARD | 1 PC |
| 3 | SIDE RAIL | 2 PCS |
| 4 | CROSS BAR | 2 PCS |
| 5 | CENTRE LEG | 3 PCS |
| 6 | BENDWOOD SLAT | 22 PCS |
| 7 | END CAP | 22 PCS |
| 8 | MIDDLE CAP | 11 PCS |
| 9 | CENTRE BAR | 1 PC |
| 10 | HEADBOARD JOIN | 2 PCS |



| HARDWARE LIST | | |
|---------------|----------------|--------|
| NO | DESCRIPTION | QTY |
| A | JCBC (M8X20) | 6 PCS |
| B | JCBC (M6X35) | 14 PCS |
| C | M6 WASHER | 12 PCS |
| D | M6 HEX NUT | 12 PCS |
| E | ALLEN KEY | 1 PCS |
| F | M10 WRENCH | 1 PCS |
| G | 25MM ROUND CAP | 1 PCS |
| H | JCBC (M6X50) | 2 PCS |

