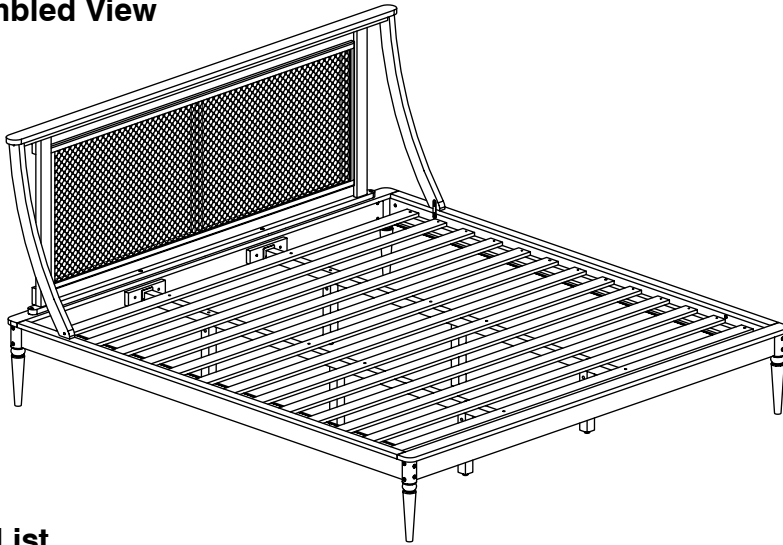


0069 King Bed

Assembly Instructions

WI-1220

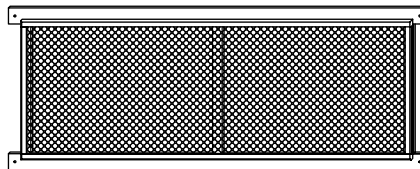
1 Assembled View



Note: Do not assemble using power tools. This can cause the bolts to be overtightened

2 Parts List

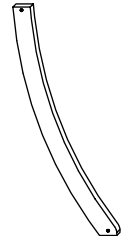
Parts in Box A:



D
Headboard Frame
x 1

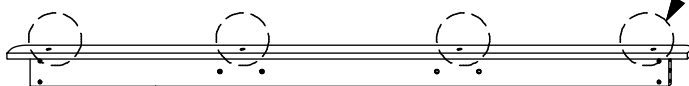


E
Headboard Support
x 2

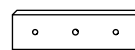
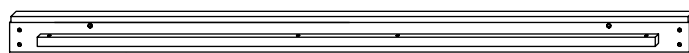
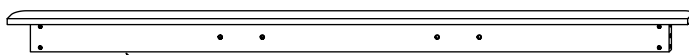


F
Headboard Side Bar
x 2

Parts in Box B:



Extra Holes



L Head / Footboard Support x 4



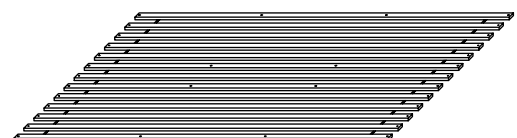
M
Post
(Left Hand) x 2



N
Post
(Right Hand) x 2



O
Support Leg x 6



P Set of Bed Slats x 1

0069 King Bed

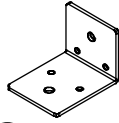
Assembly Instructions

WI-1220

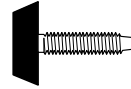
3 Hardware List



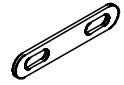
1 M4 Allen Key
x 1



2 Center Rail
Bracket x 4



3 Adjustable
Foot x 6



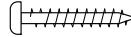
4 Bracket (2003)
x 2



5 Wood Dowel
(M10 x 40mm) x 8



6 Barrel
Nut x 22



7 Wood Screw
(M4 x 32mm) x 18



8 M6 JCN Nut
x 2



9 M6 x
15mm JCB
x 10



10 M6 x
25mm JCB
x 2



11 M6 x
30mm JCB
x 20

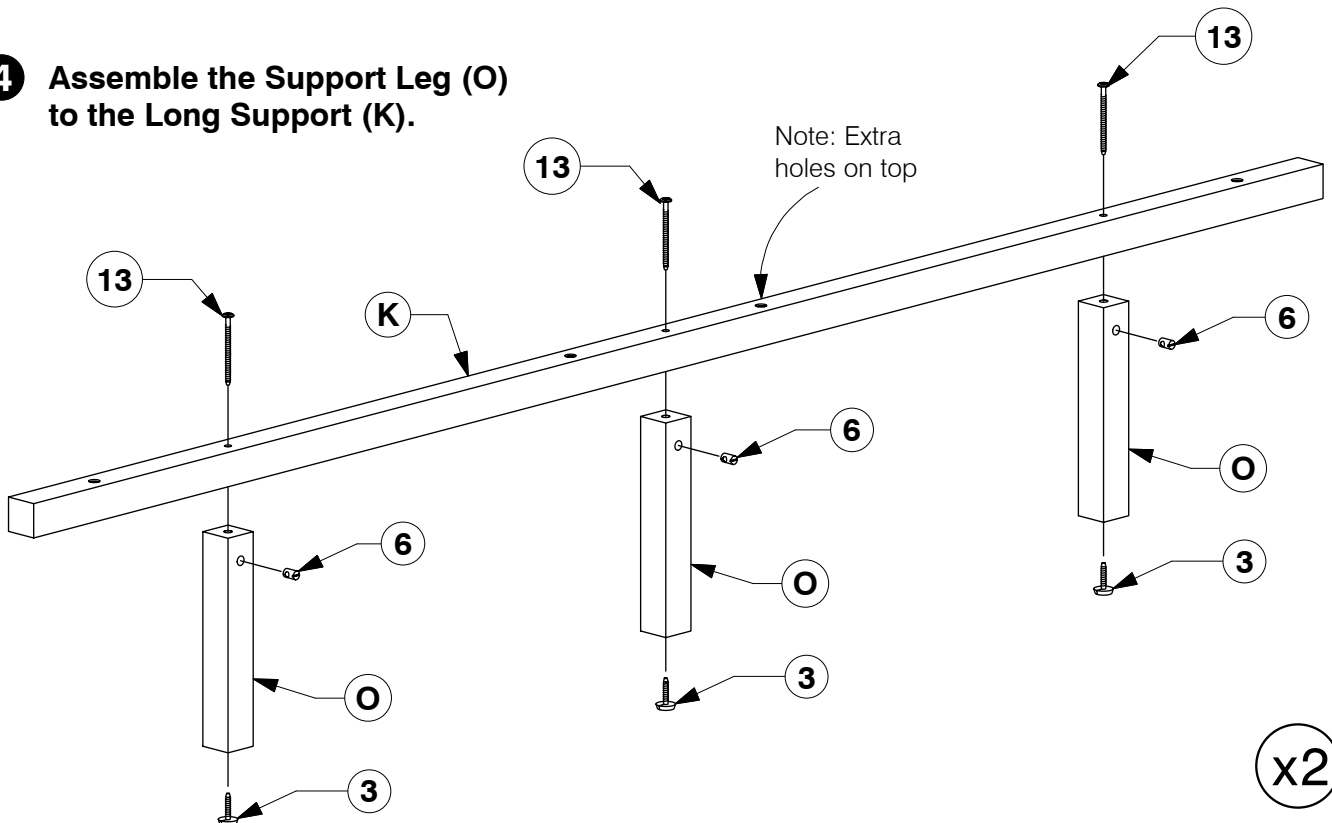


12 M6 x
40mm JCB
x 22



13 M6 x 90mm JCB
x 22

4 Assemble the Support Leg (O) to the Long Support (K).

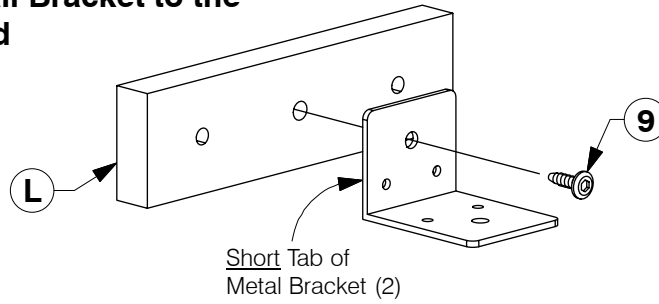


0069 King Bed

Assembly Instructions

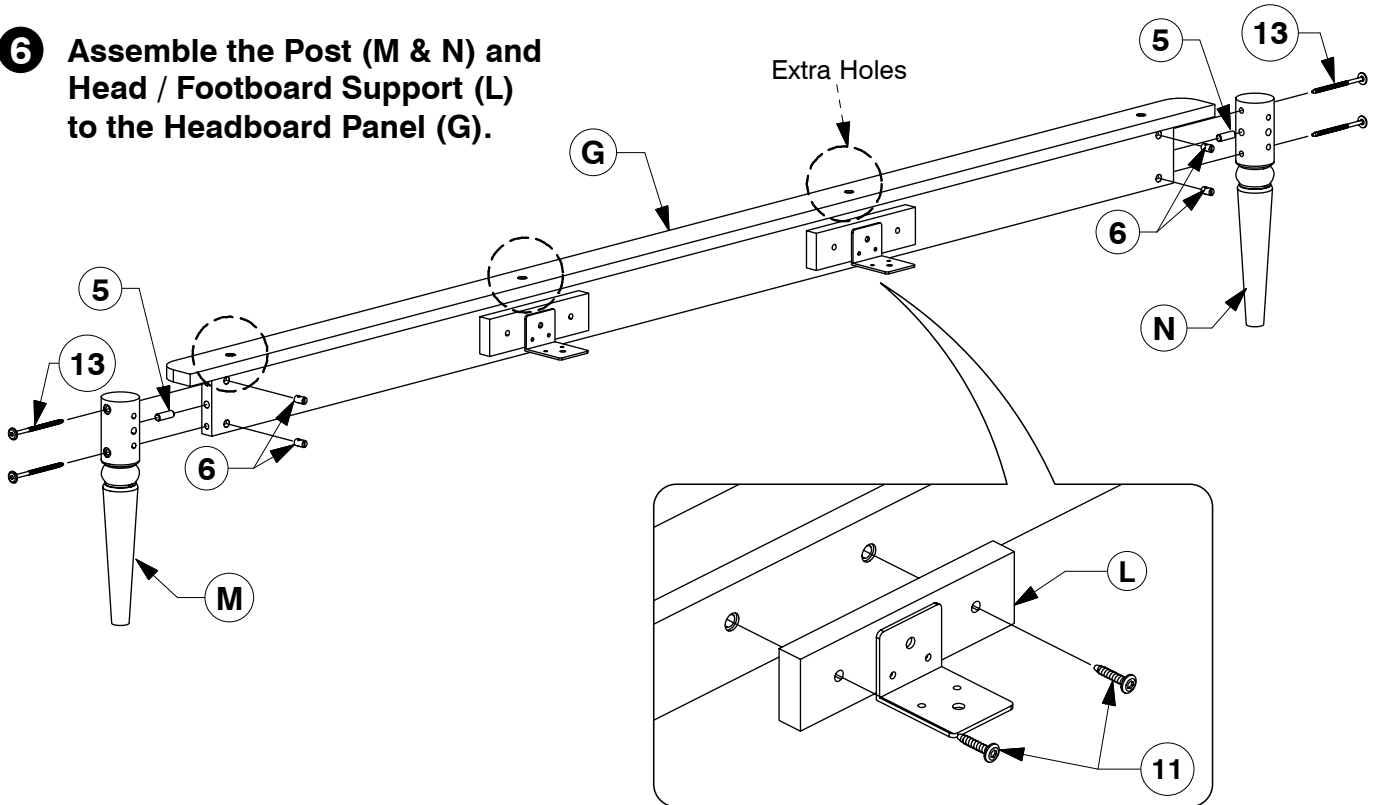
WI-1220

- 5** Fit the Center Rail Bracket to the Head / Footboard Support (L).

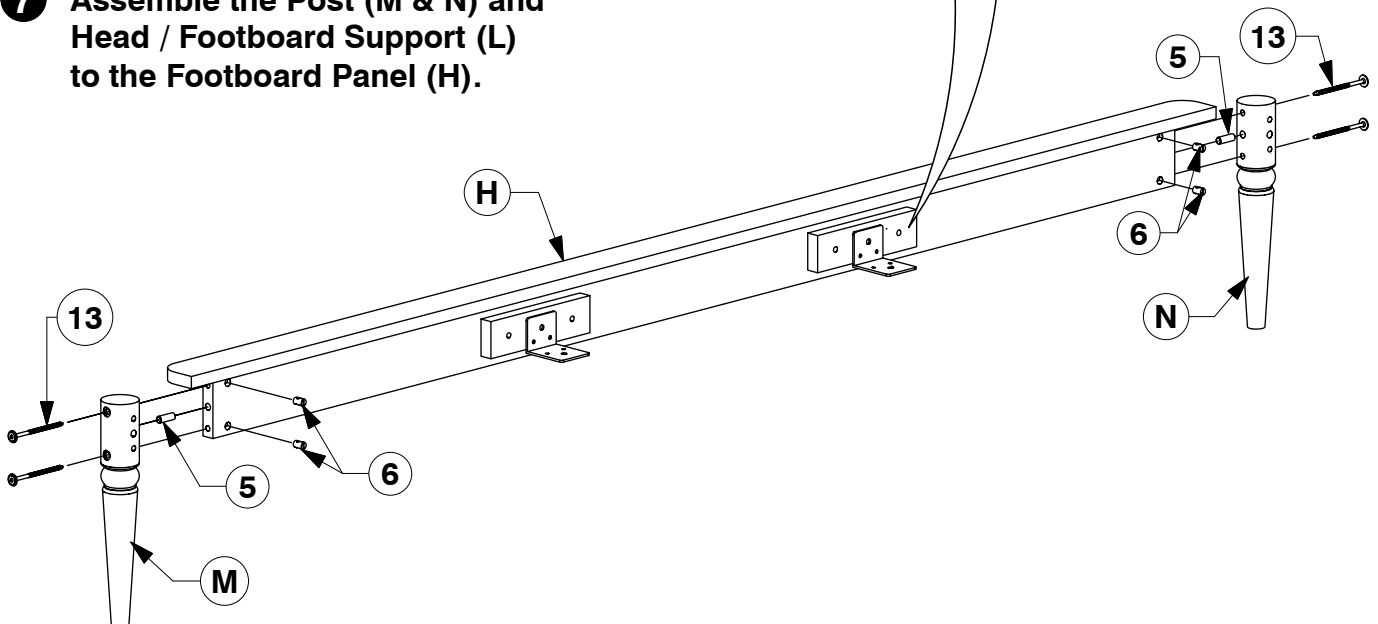


x4

- 6** Assemble the Post (M & N) and Head / Footboard Support (L) to the Headboard Panel (G).



- 7** Assemble the Post (M & N) and Head / Footboard Support (L) to the Footboard Panel (H).

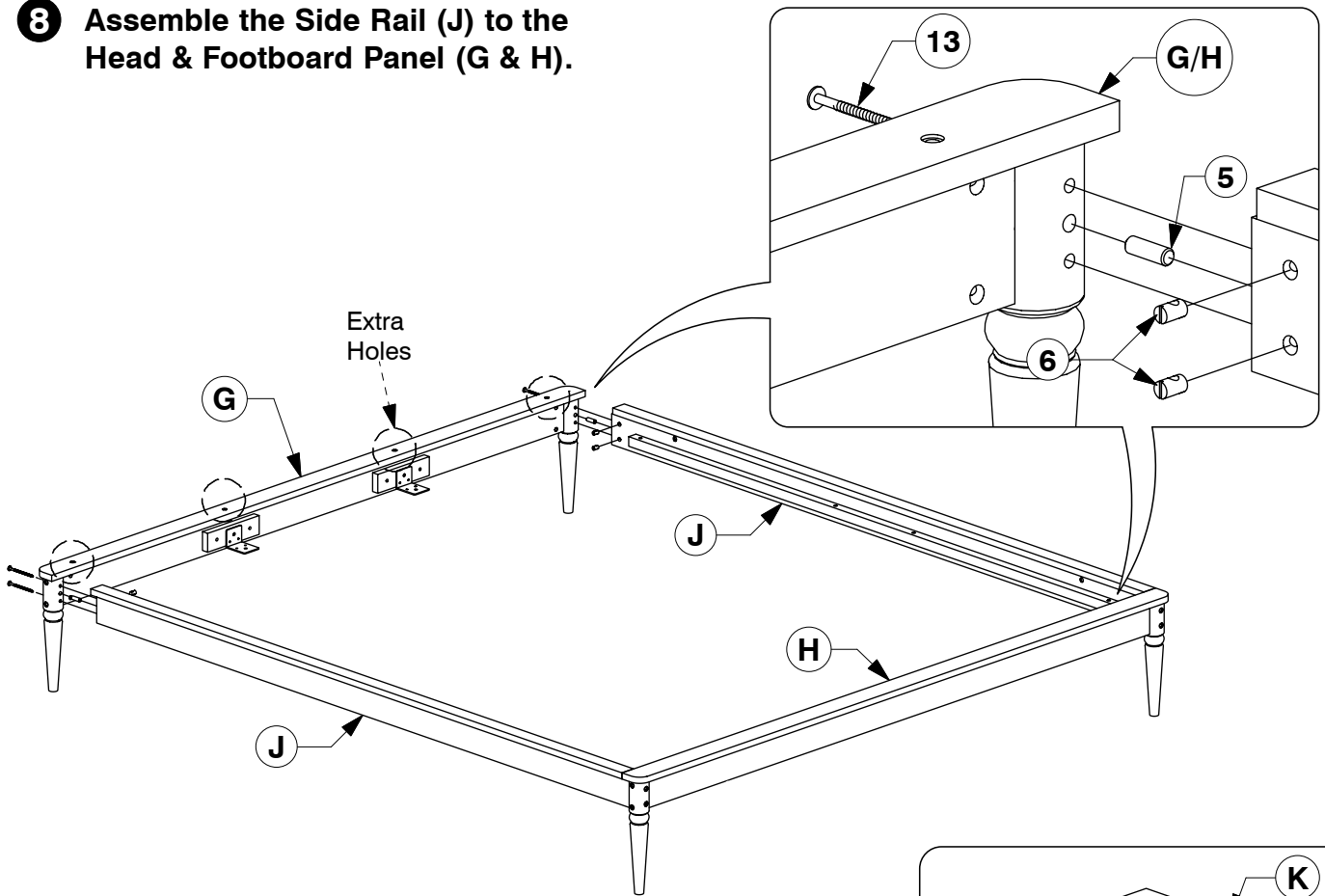


0069 King Bed

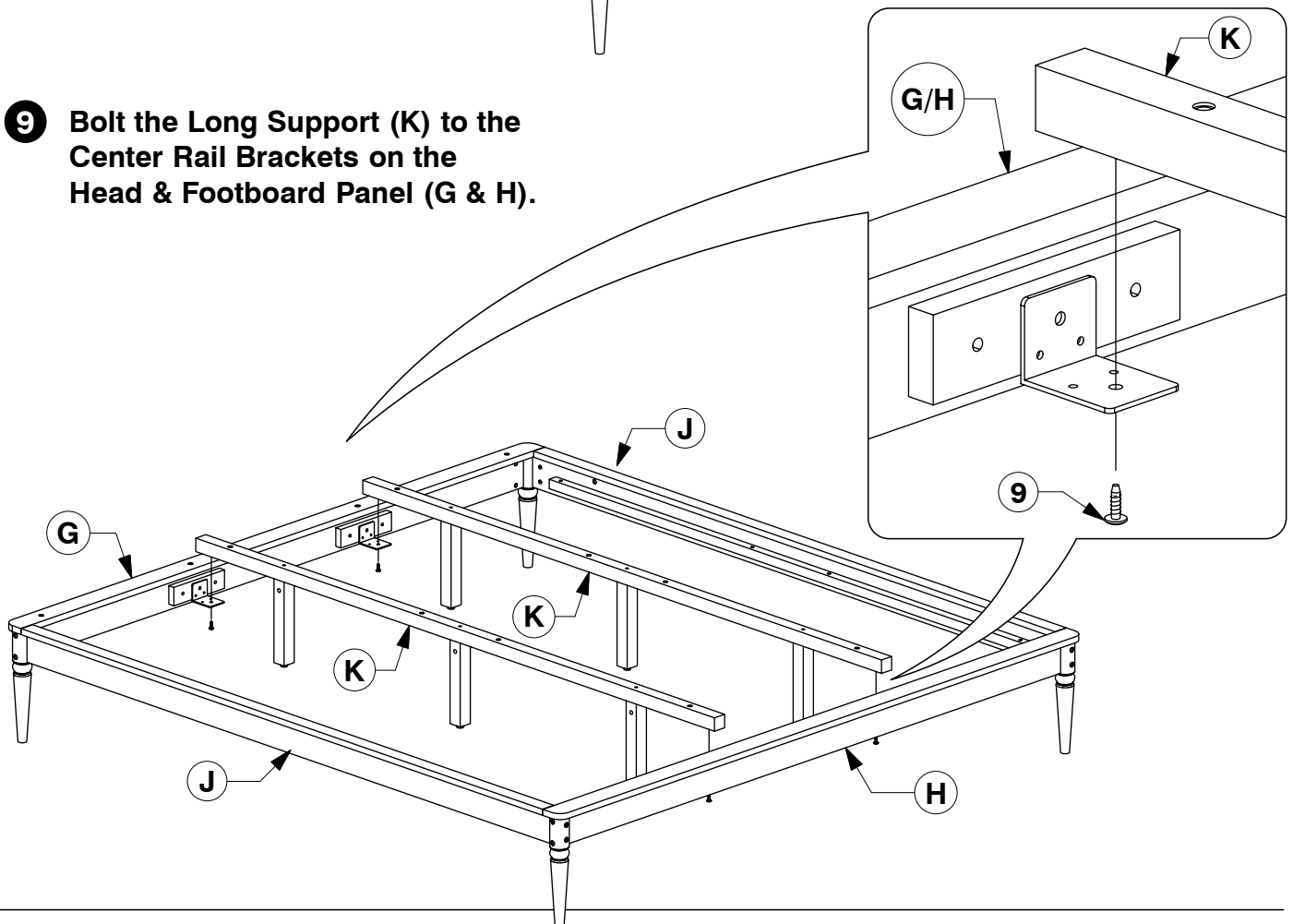
Assembly Instructions

WI-1220

- 8** Assemble the Side Rail (J) to the Head & Footboard Panel (G & H).



- 9** Bolt the Long Support (K) to the Center Rail Brackets on the Head & Footboard Panel (G & H).

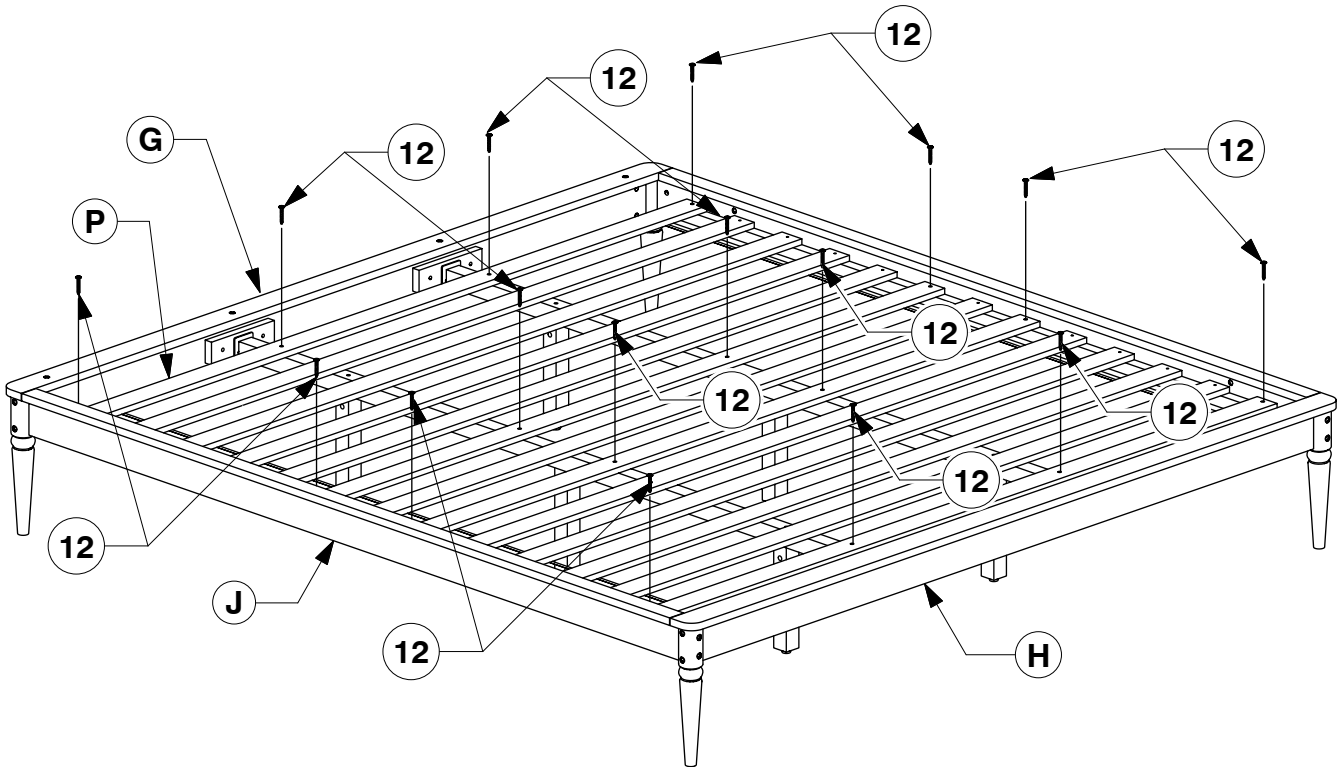


0069 King Bed

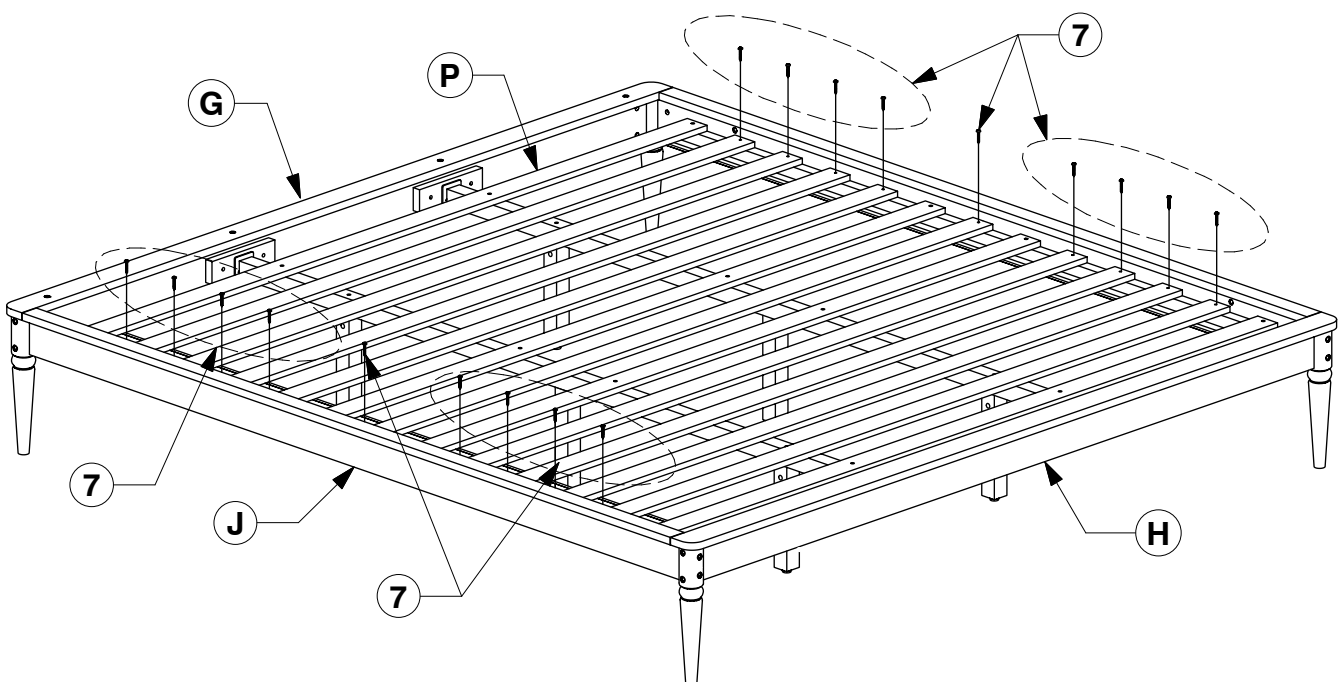
Assembly Instructions

WI-1220

- 10** Bolt the Bed Slats (P) to the Side Rail (J).



- 11** Screw the Bed Slats (P) to the Side Rail (J).

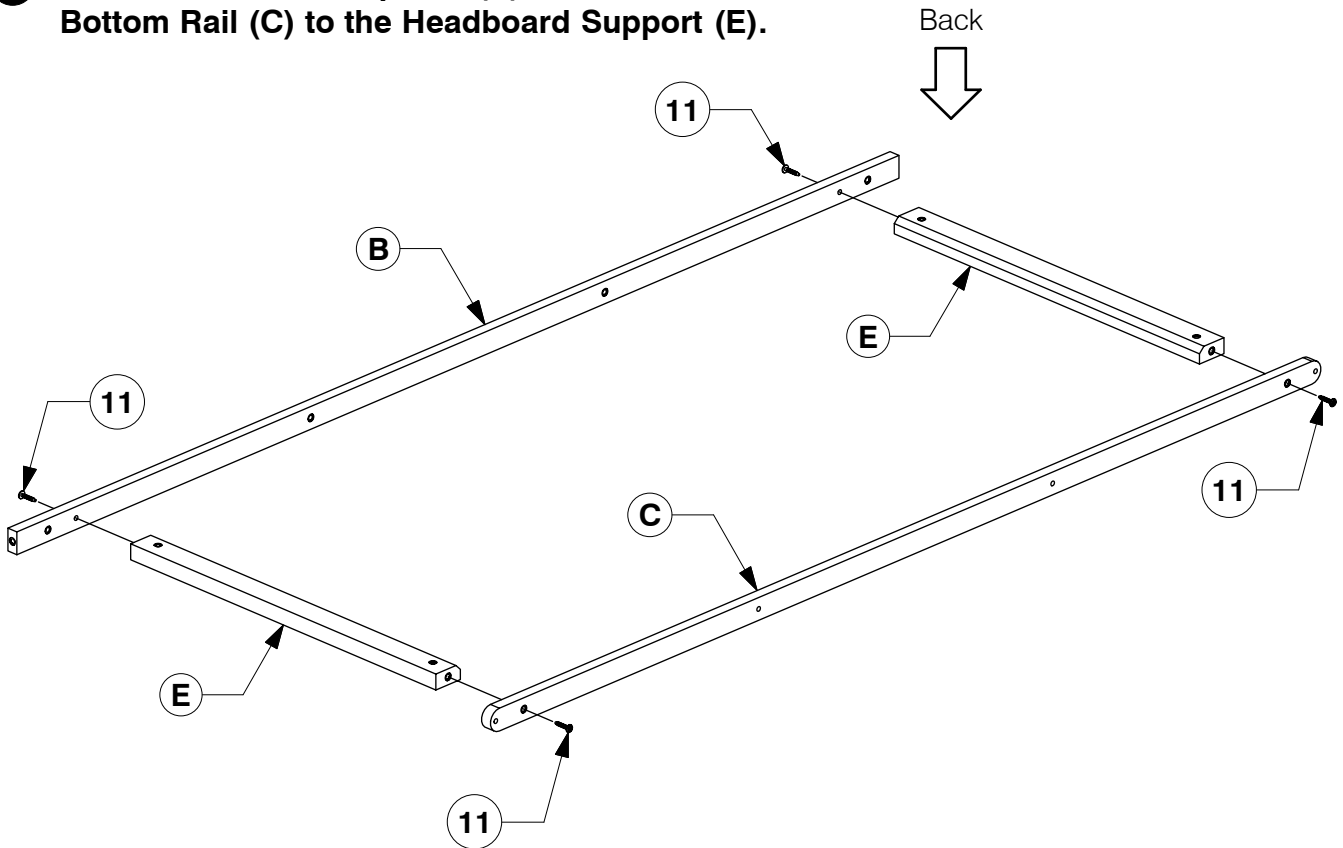


0069 King Bed

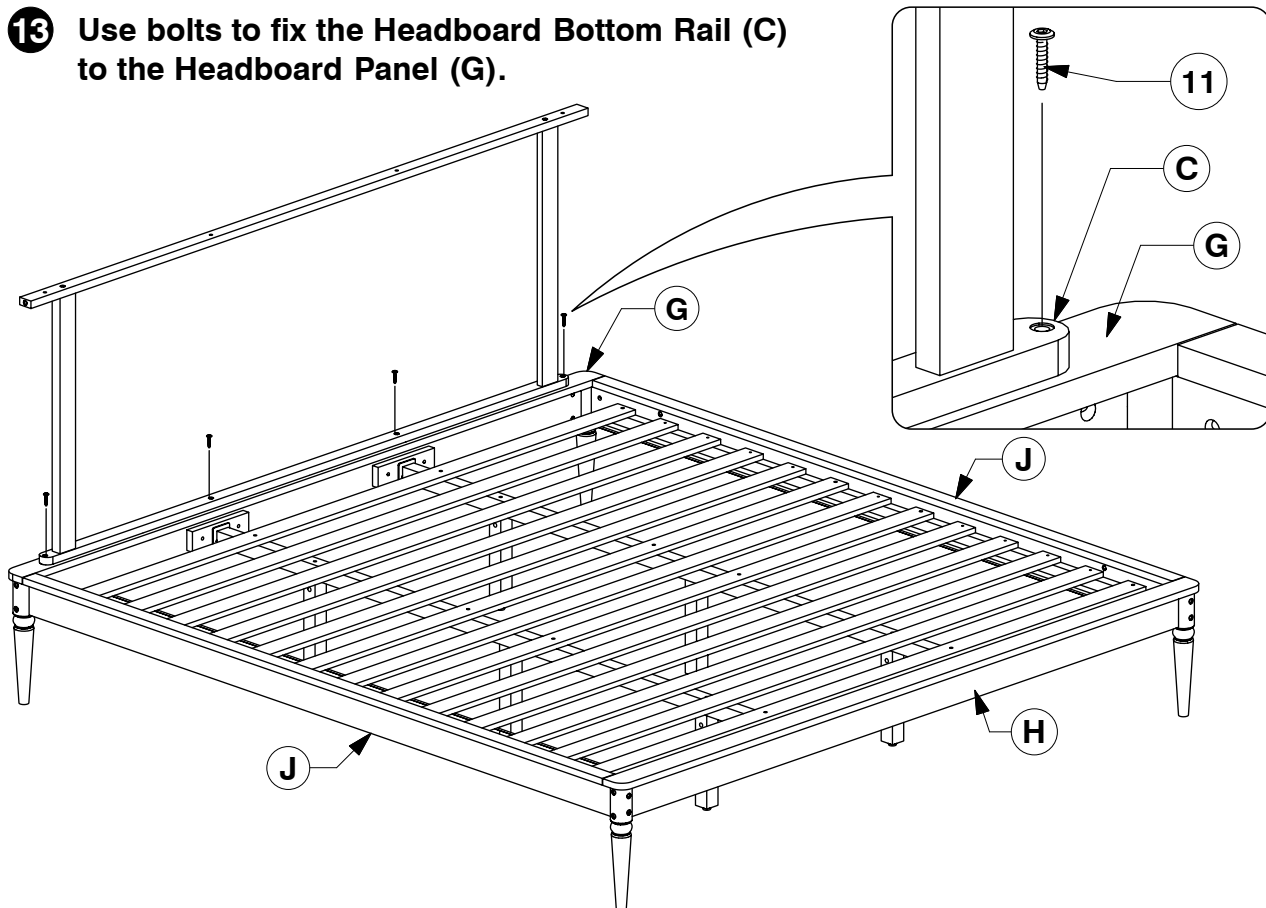
Assembly Instructions

WI-1220

- 12** Fit the Headboard Top Rail (B) & Headboard Bottom Rail (C) to the Headboard Support (E).



- 13** Use bolts to fix the Headboard Bottom Rail (C) to the Headboard Panel (G).

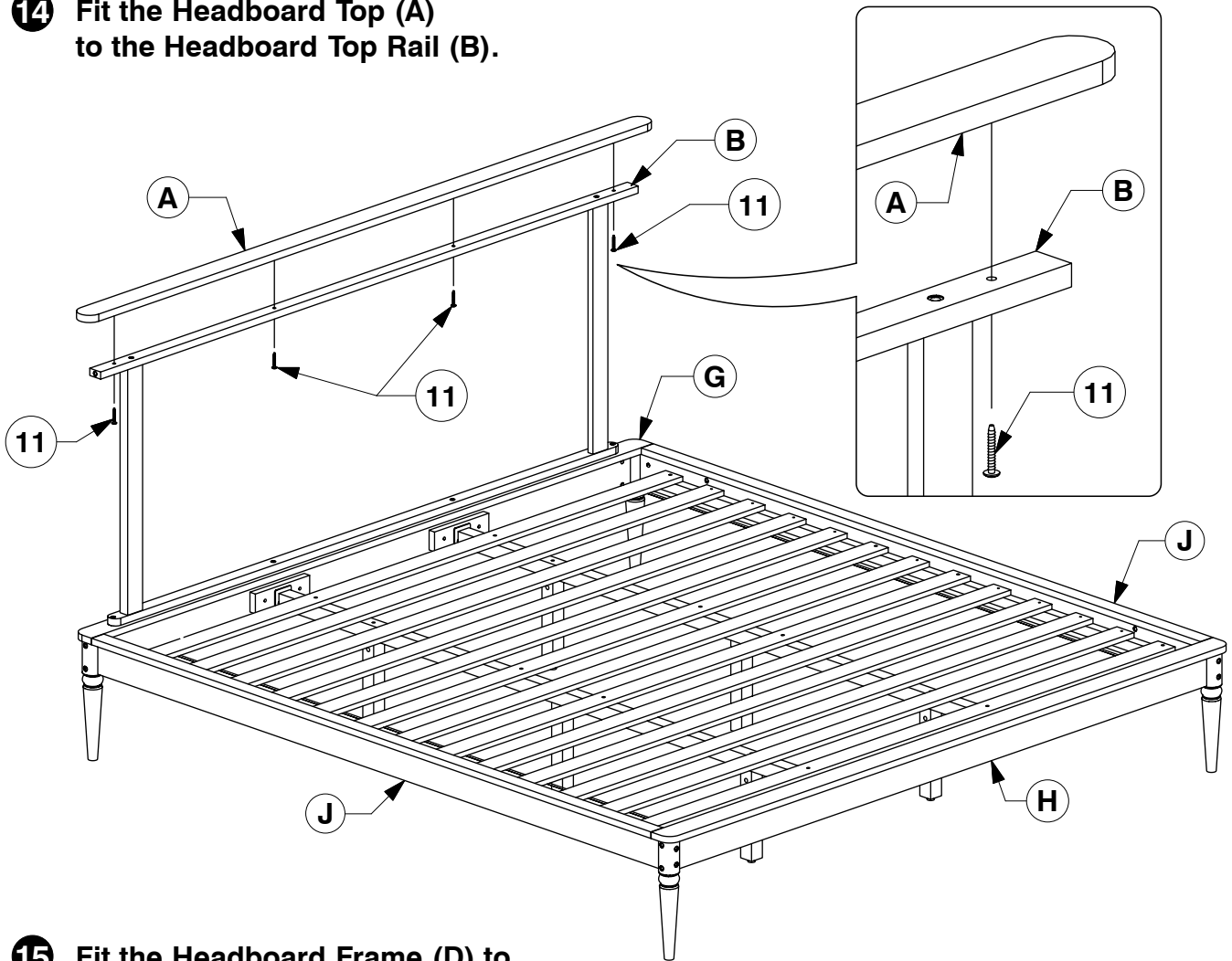


0069 King Bed

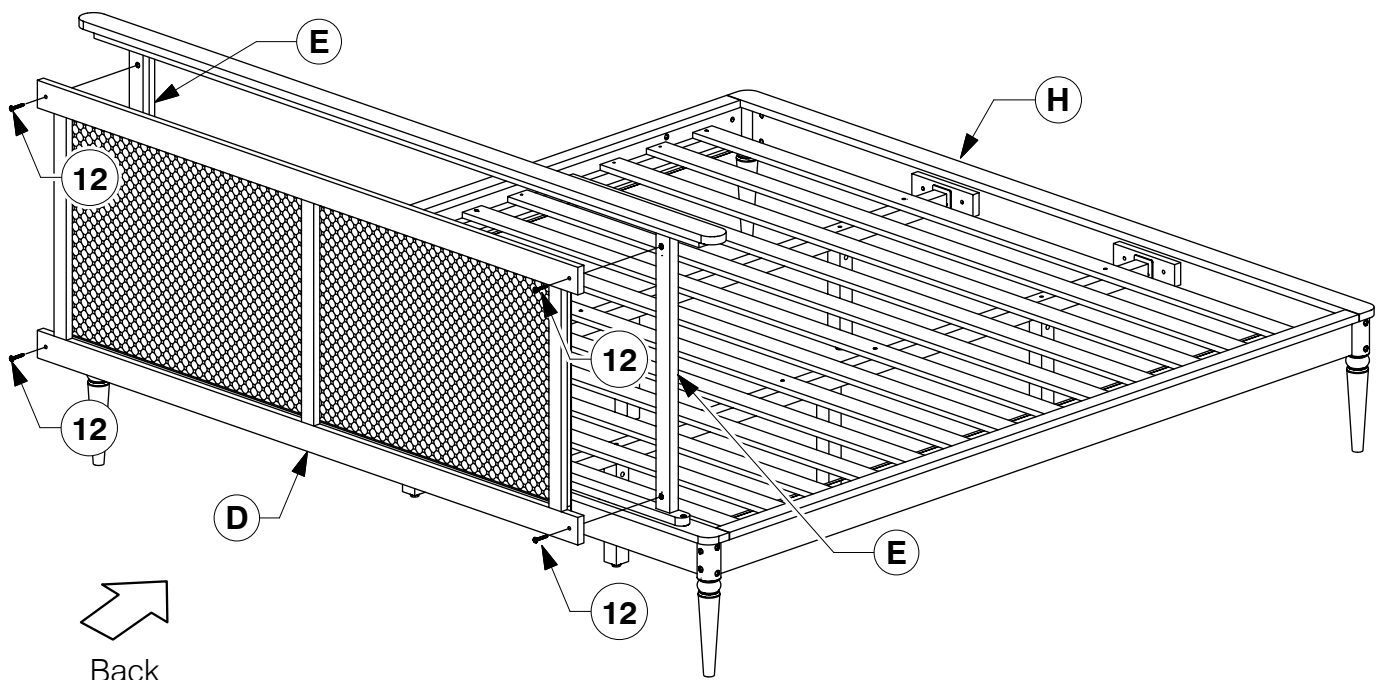
Assembly Instructions

WI-1220

- 14** Fit the Headboard Top (A) to the Headboard Top Rail (B).



- 15** Fit the Headboard Frame (D) to the Headboard Support (E).



0069 King Bed

Assembly Instructions

WI-1220

- 16** Fit the Headboard Side Bar (F) to the Headboard Top Rail (B) & Side Rail (J).

