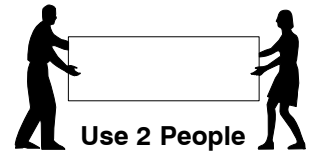
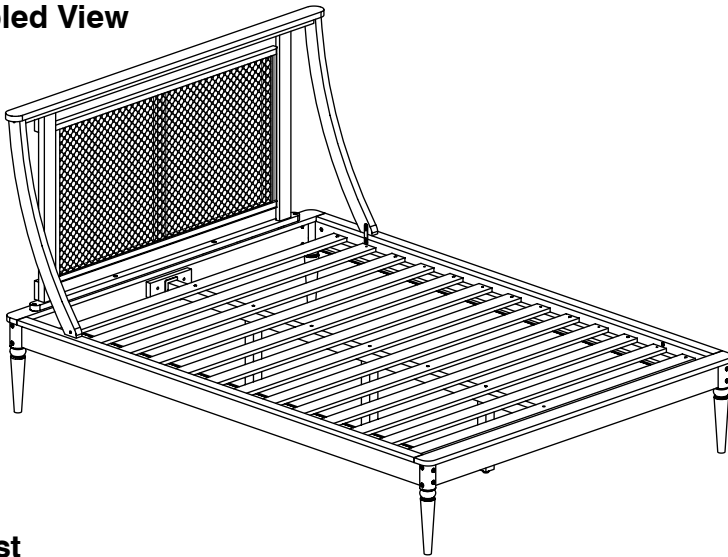


0069 Full Bed

Assembly Instructions

WI-1220

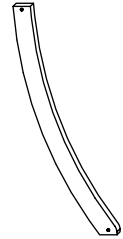
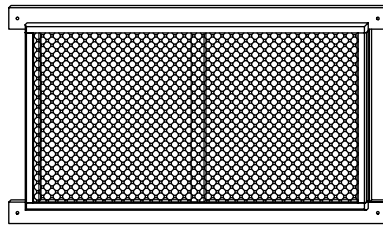
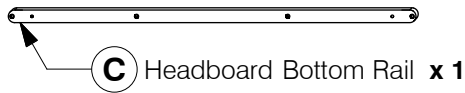
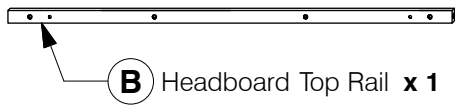
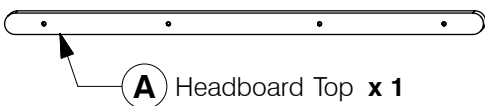
1 Assembled View



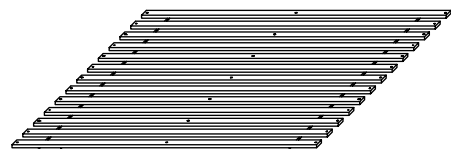
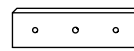
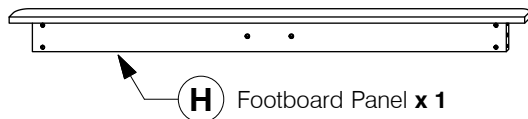
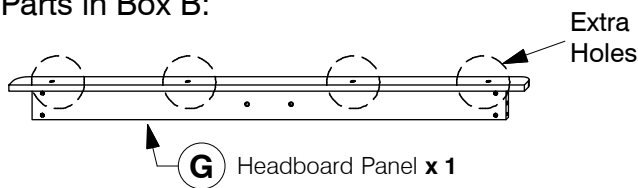
Note: Do not assemble using power tools. This can cause the bolts to be overtightened

2 Parts List

Parts in Box A:



Parts in Box B:



0069 Full Bed

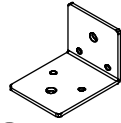
Assembly Instructions

WI-1220

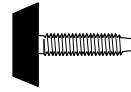
3 Hardware List



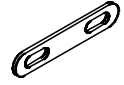
1 M4 Allen Key
x 1



2 Center Rail
Bracket x 2



3 Adjustable
Foot x 3



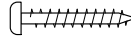
4 Bracket (2003)
x 2



5 Wood Dowel
(M10 x 40mm) x 8



6 Barrel
Nut x 19



7 Wood Screw
(M4 x 32mm) x 12



8 M6 JCN Nut
x 2



9 M6 x
15mm JCB
x 6



10 M6 x
25mm JCB
x 2



11 M6 x
30mm JCB
x 16



12 M6 x
40mm JCB
x 24

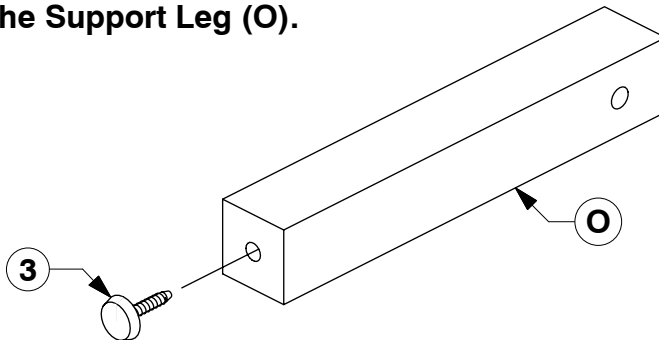


13 M6 x 90mm JCB
x 16



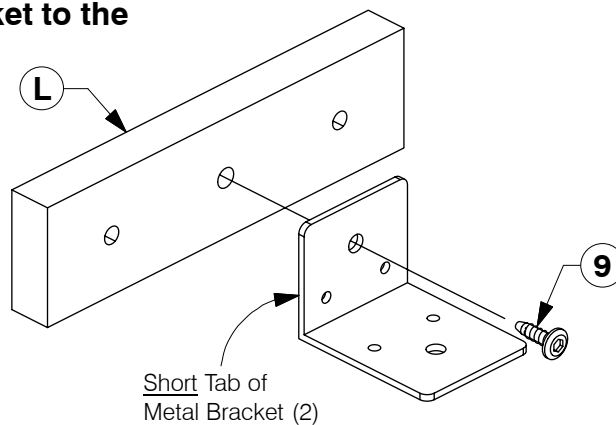
14 M6 x 100mm JCB
x 3

4 Fix the Adjustable foot to the bottom of the Support Leg (O).



x3

5 Fit the Center Rail Bracket to the Head / Footboard Support (L).



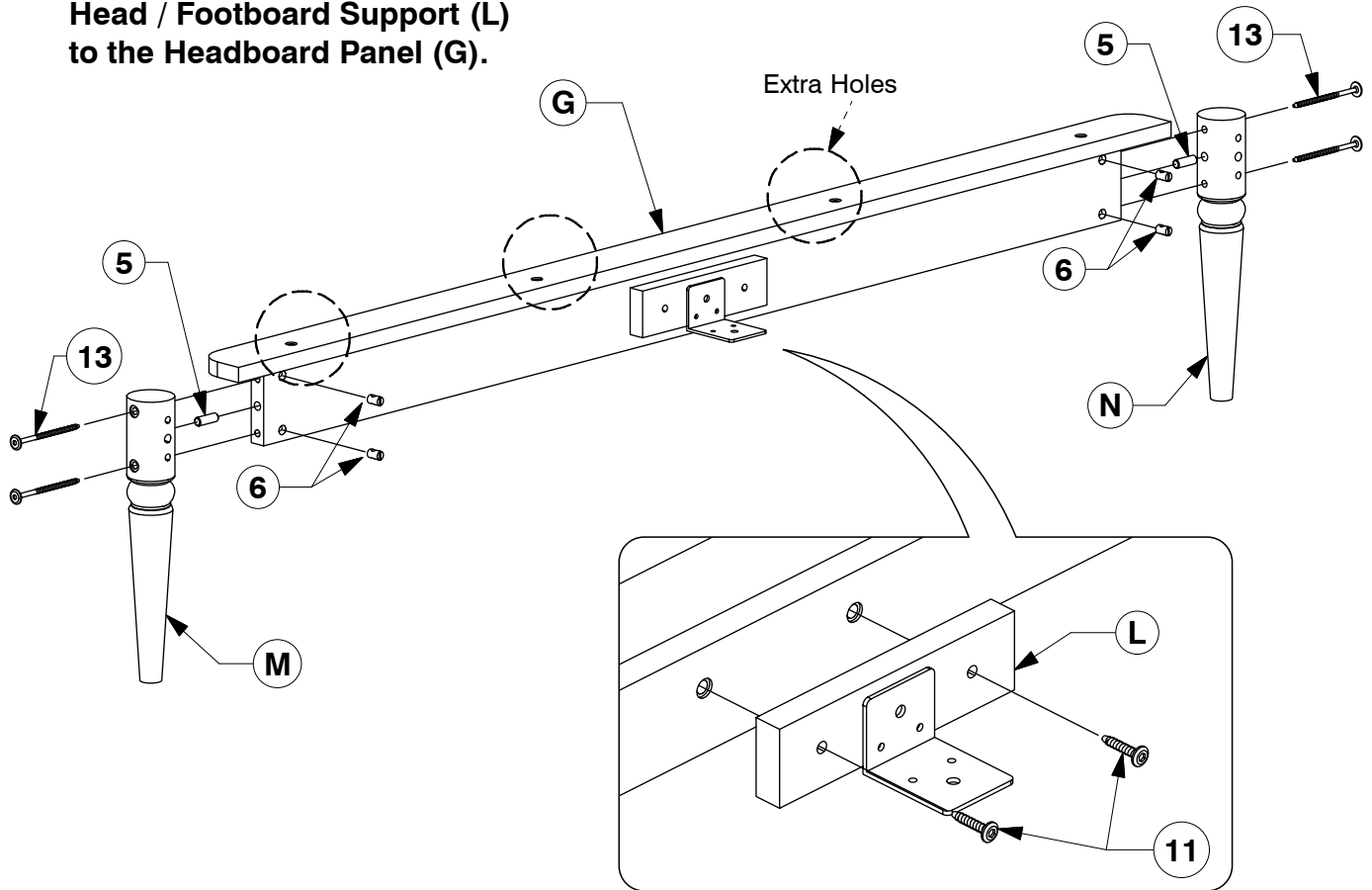
x2

0069 Full Bed

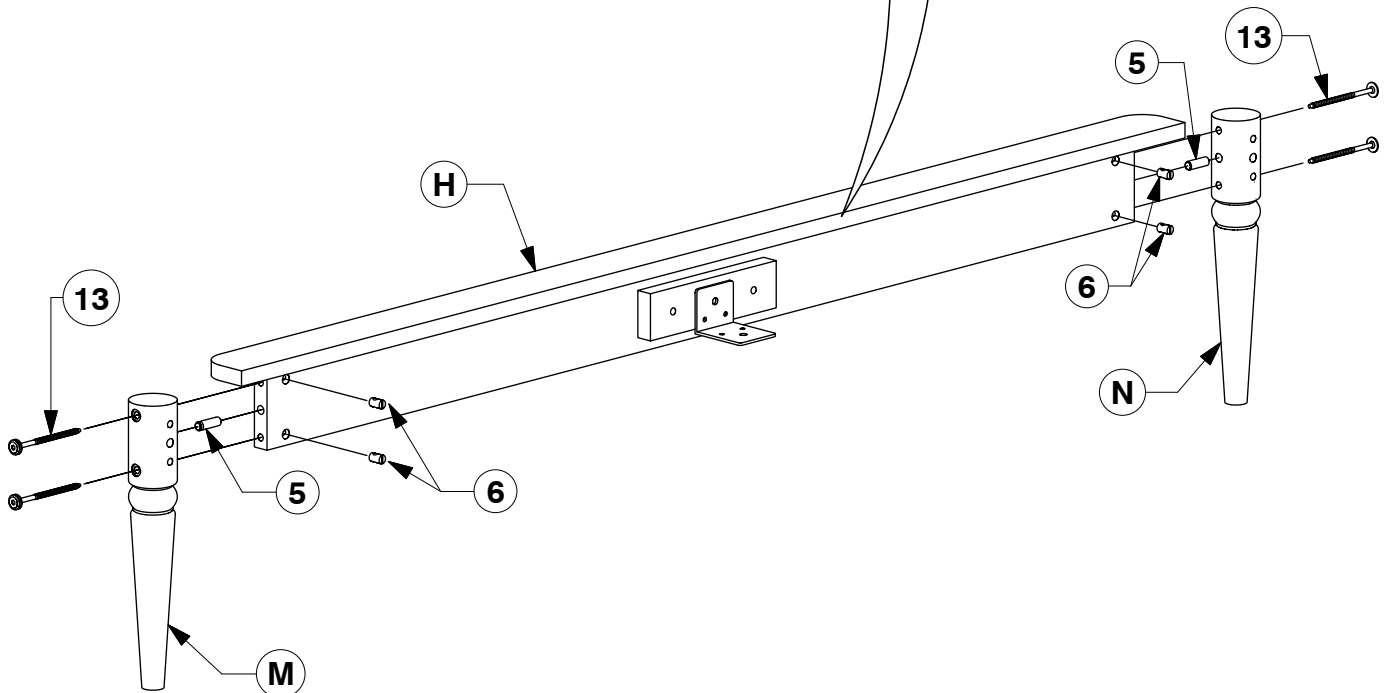
Assembly Instructions

WI-1220

- 6 Assemble the Post (M & N) and Head / Footboard Support (L) to the Headboard Panel (G).**



- 7 Assemble the Post (M & N) and Head / Footboard Support (L) to the Footboard Panel (H).**

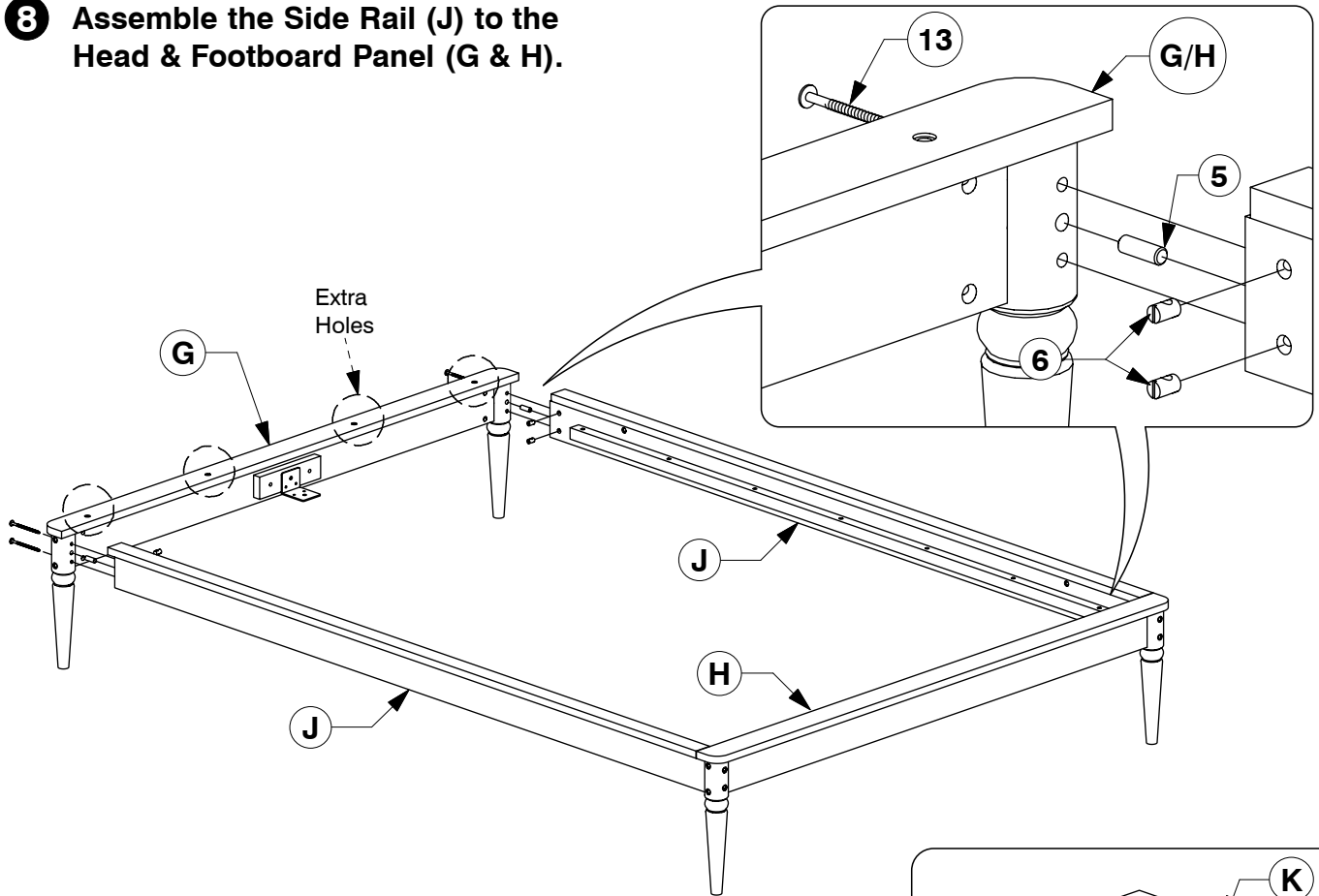


0069 Full Bed

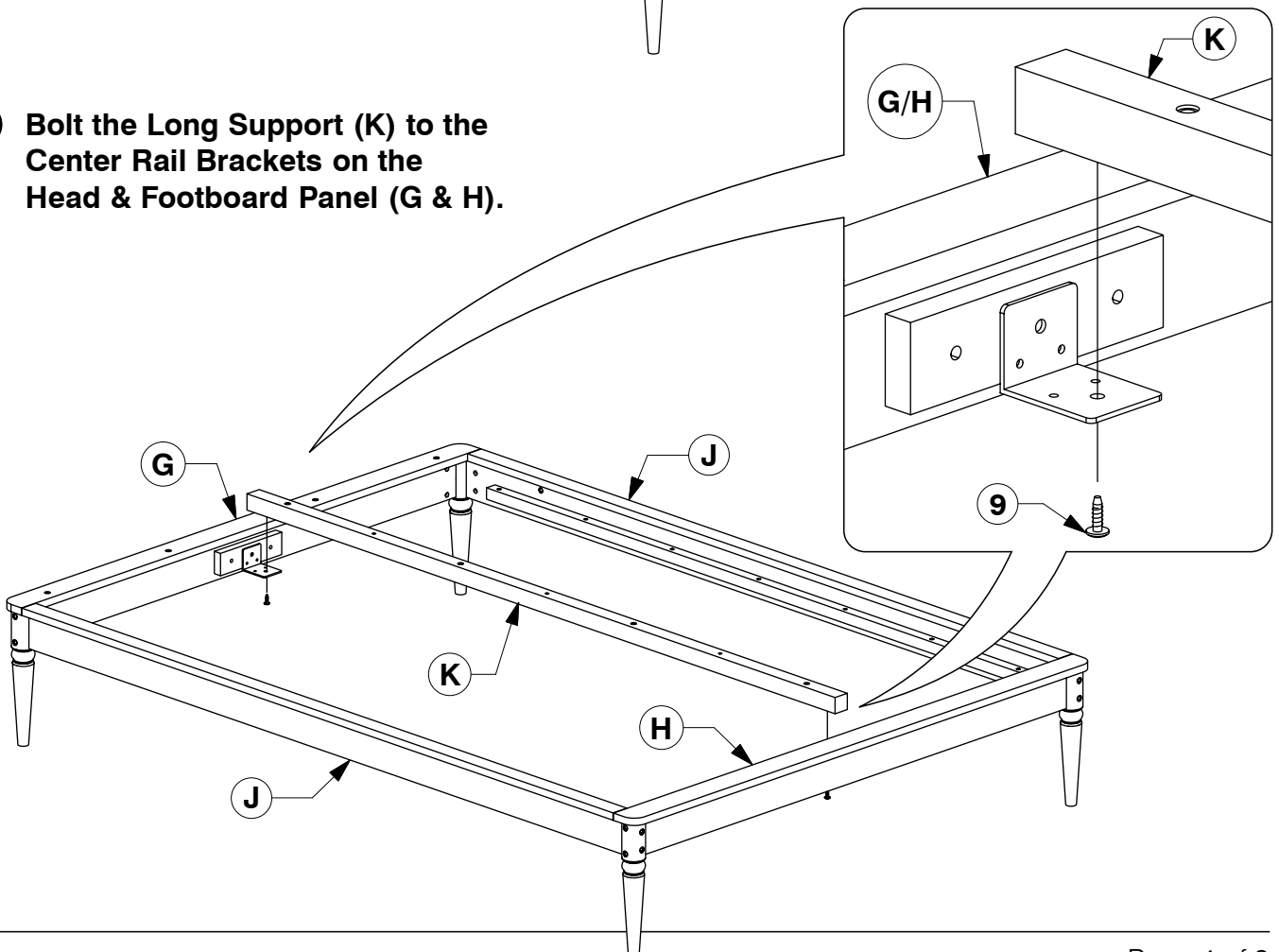
Assembly Instructions

WI-1220

- 8** Assemble the Side Rail (J) to the Head & Footboard Panel (G & H).



- 9** Bolt the Long Support (K) to the Center Rail Brackets on the Head & Footboard Panel (G & H).

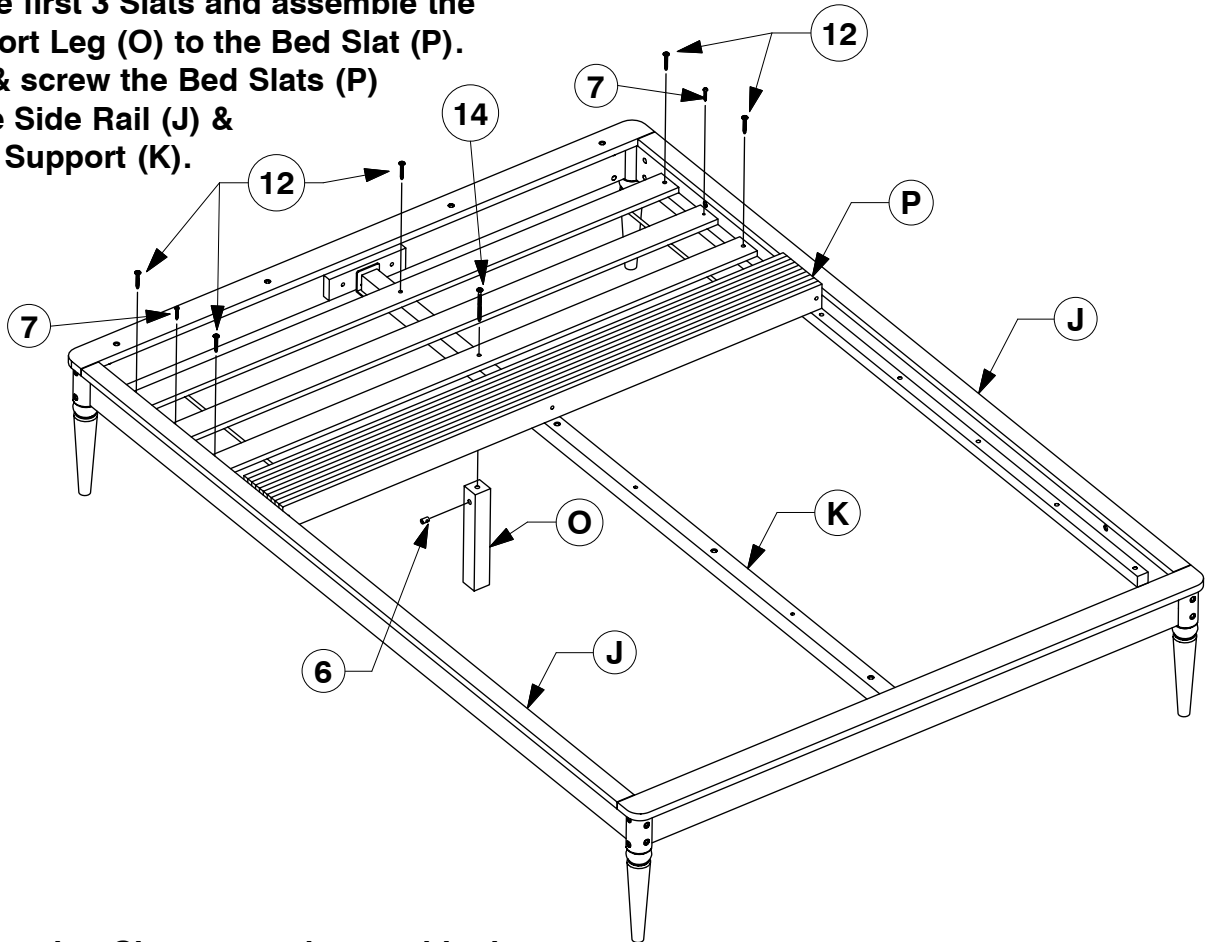


0069 Full Bed

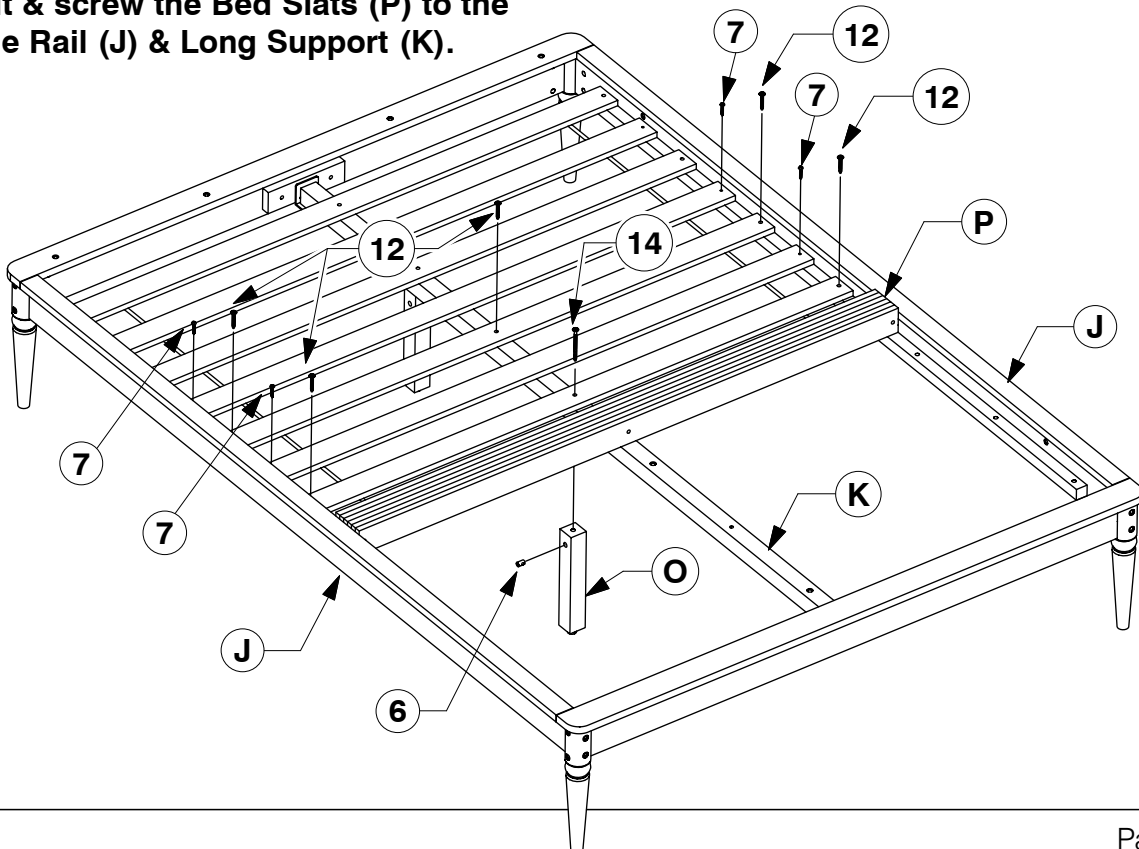
Assembly Instructions

WI-1220

- 10** Fit the first 3 Slats and assemble the Support Leg (O) to the Bed Slat (P). Bolt & screw the Bed Slats (P) to the Side Rail (J) & Long Support (K).



- 11** Fit the other Slats out and assemble the Support Leg (O) to the Bed Slat (P). Bolt & screw the Bed Slats (P) to the Side Rail (J) & Long Support (K).

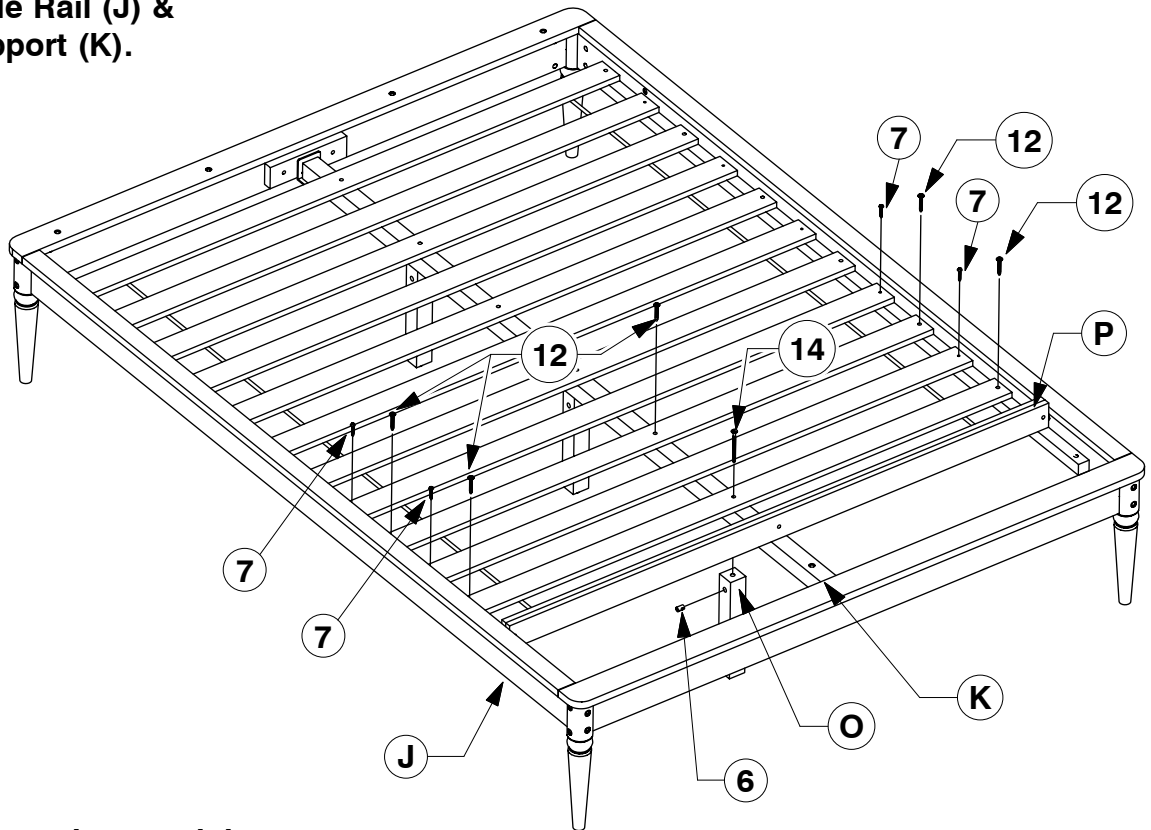


0069 Full Bed

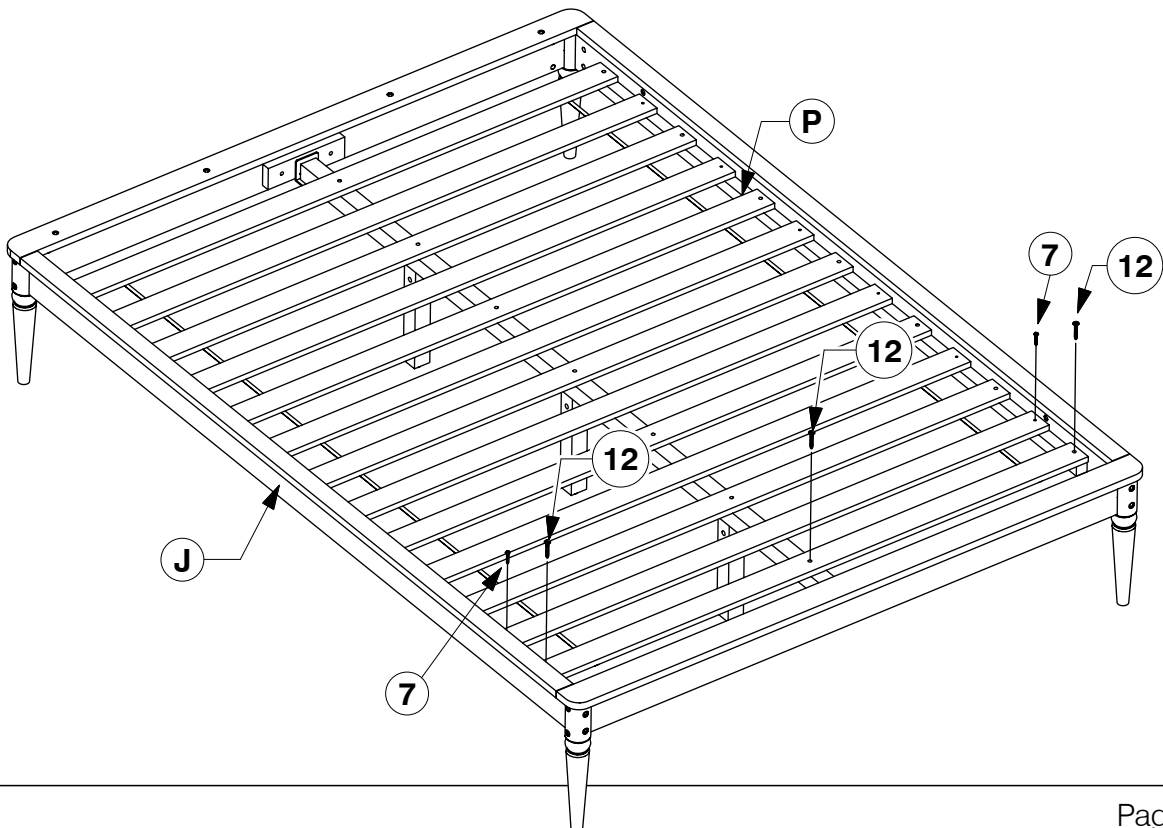
Assembly Instructions

WI-1220

- 12** Fit the other Slats out and assemble the Support Leg (O) to the Bed Slat (P). Bolt & screw the Bed Slats (P) to the Side Rail (J) & Long Support (K).



- 13** Bolt & screw the remaining Bed Slats (P) to the Side Rail (J).

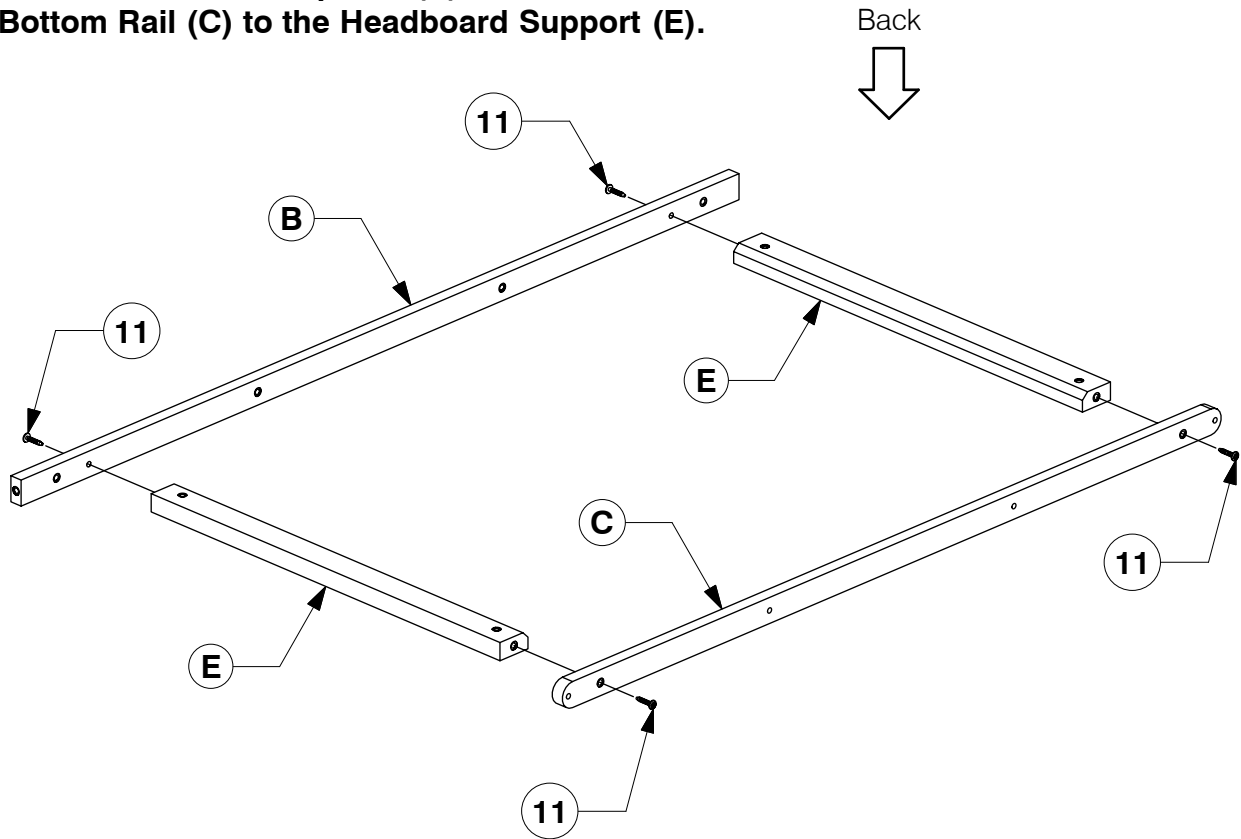


0069 Full Bed

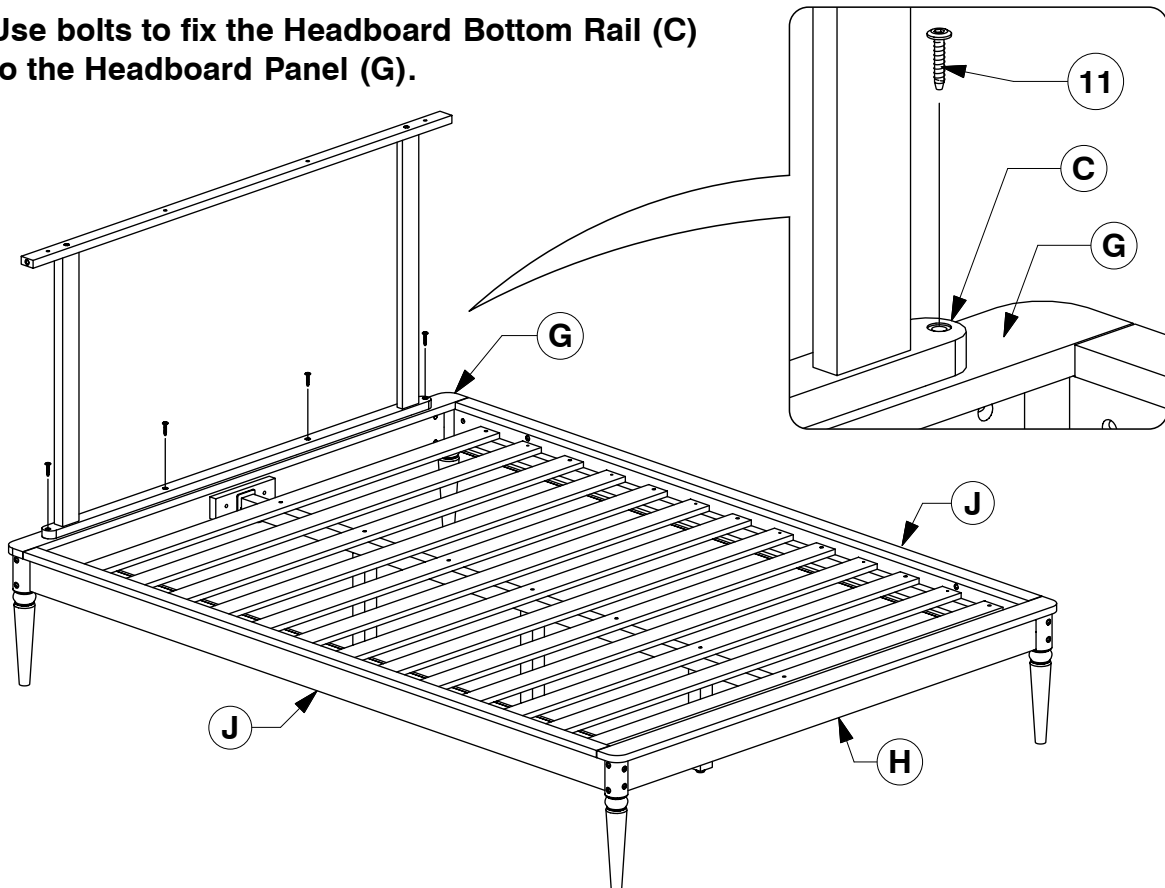
Assembly Instructions

WI-1220

- 14** Fit the Headboard Top Rail (B) & Headboard Bottom Rail (C) to the Headboard Support (E).



- 15** Use bolts to fix the Headboard Bottom Rail (C) to the Headboard Panel (G).

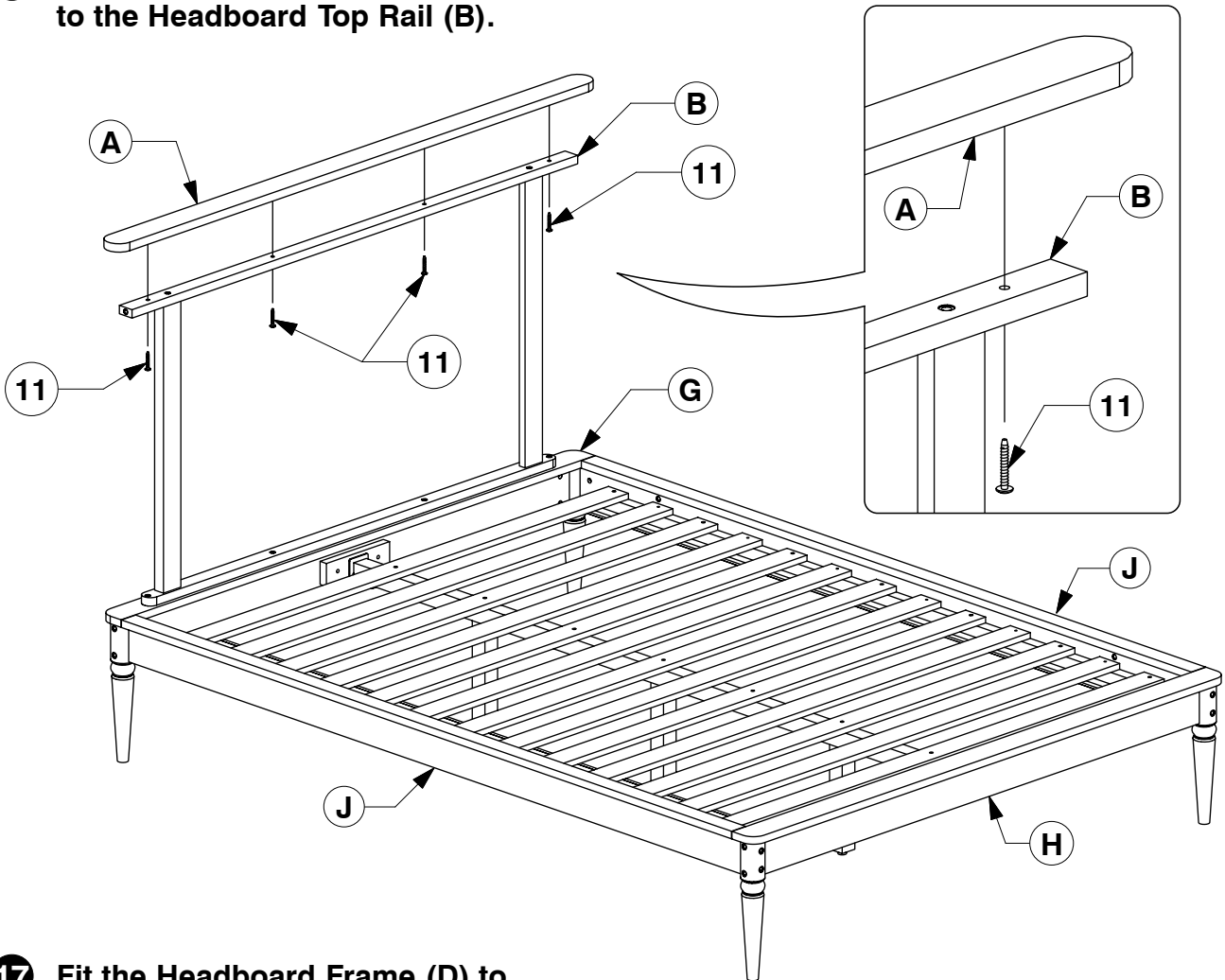


0069 Full Bed

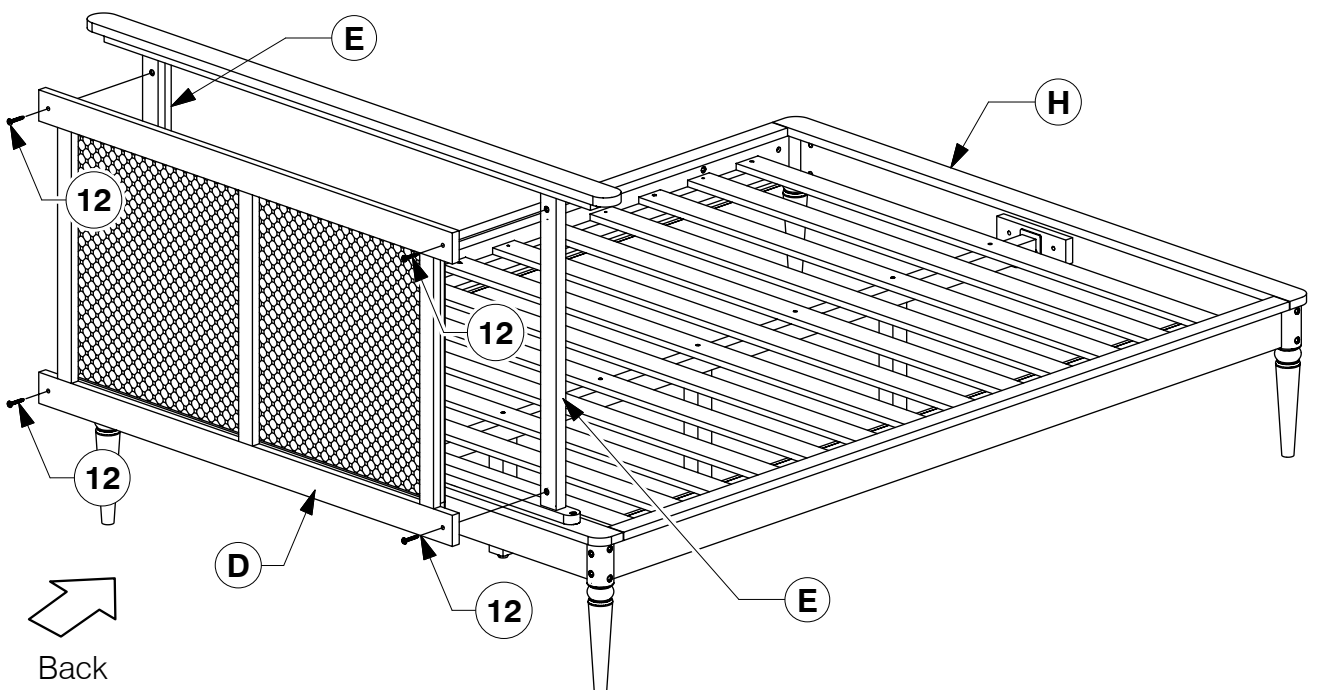
Assembly Instructions

WI-1220

- 16** Fit the Headboard Top (A) to the Headboard Top Rail (B).



- 17** Fit the Headboard Frame (D) to the Headboard Support (E).



0069 Full Bed

Assembly Instructions

WI-1220

- 18** Fit the Headboard Side Bar (F) to the Headboard Top Rail (B) & Side Rail (J).

