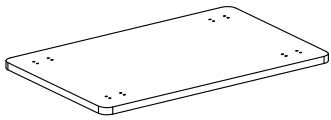
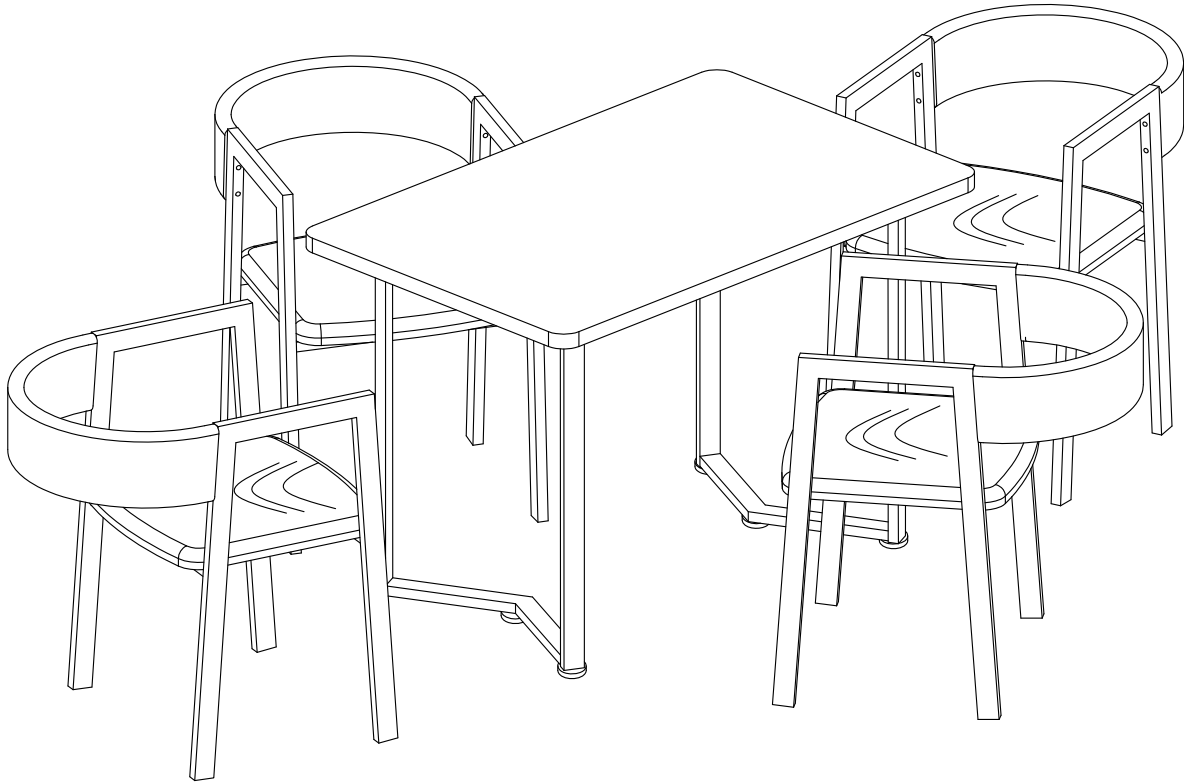
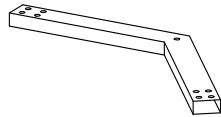


ASSEMBLE INSTRUCTION

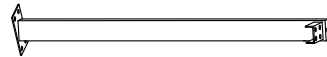
*** DO NOT TIGHTEN SCREWS UNTIL COMPLETELY ASSEMBLED ***



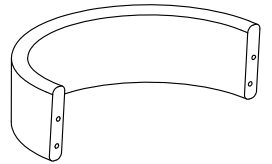
A×1PC



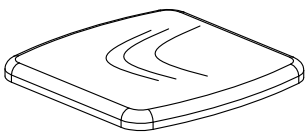
B×2PCS



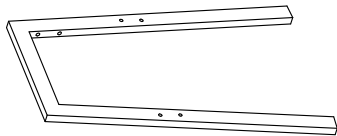
C×4PCS



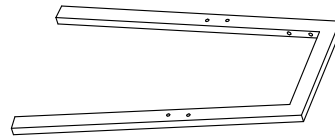
D×4PCS



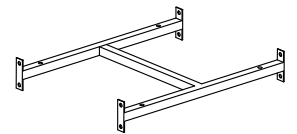
E×4PCS



F×4PCS



G×4PCS



H×4PCS



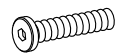
I×6PCS



**M4×35mm
J×16PCS**



**M6×12mm
K×64PCS**



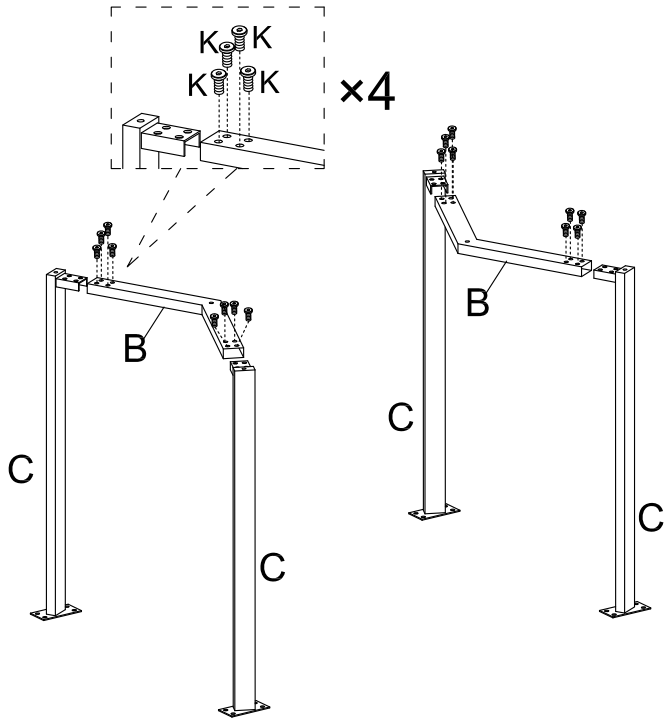
**M6×35mm
L×16PCS**



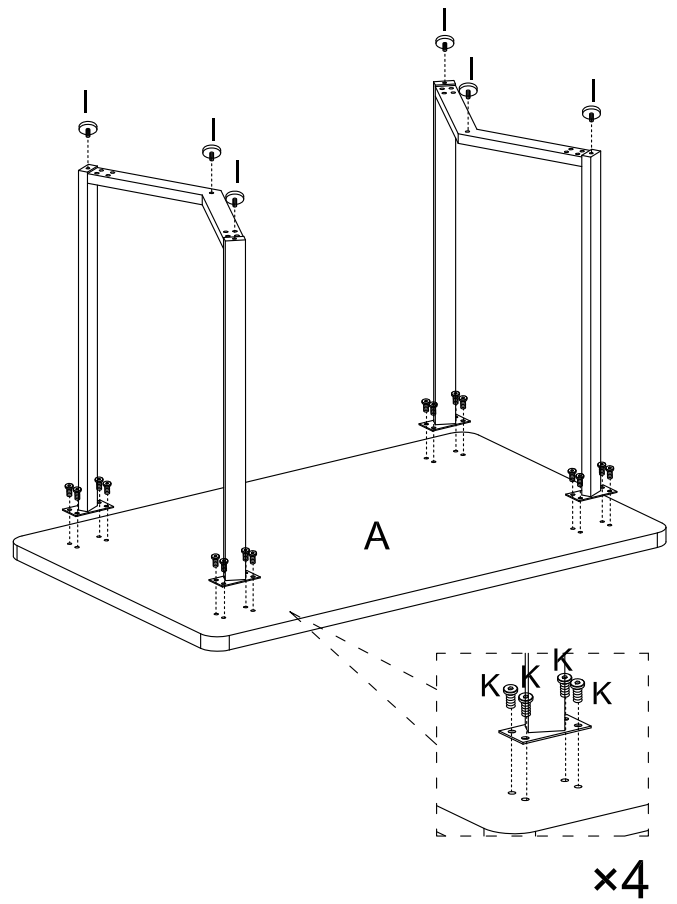
4mm

M×1PC

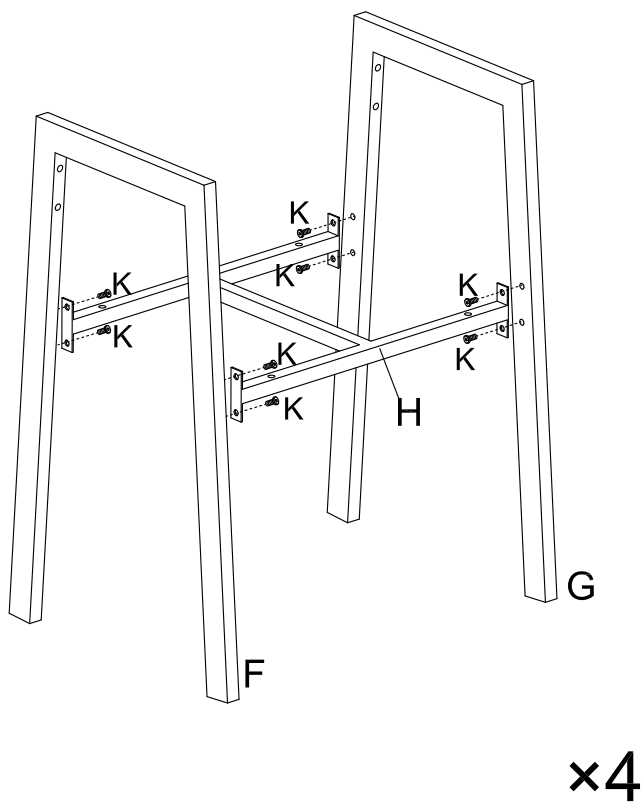
Step1



Step2



Step3



Step4

