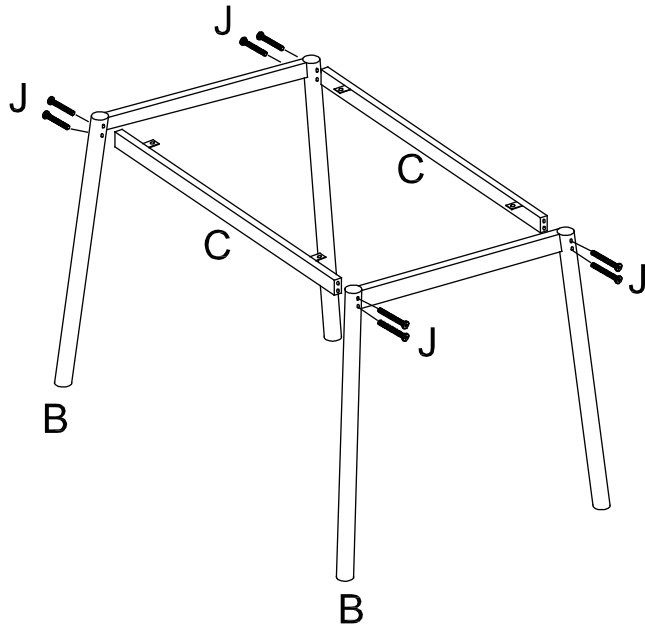


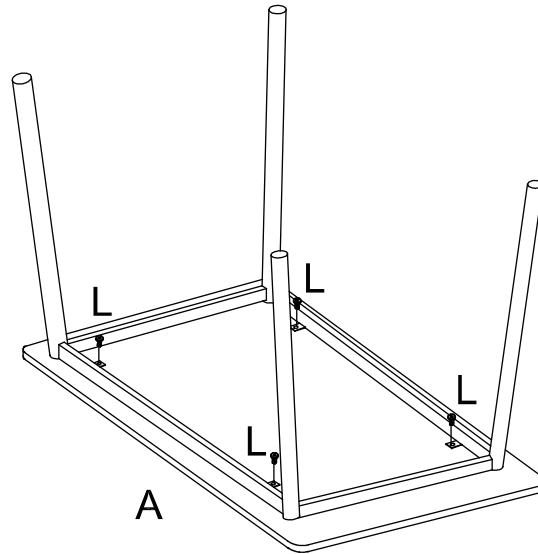
ASSEMBLY INSTRUCTION

DO NOT TIGHTEN SCREWS UNTIL COMPLETELY ASSEMBLED

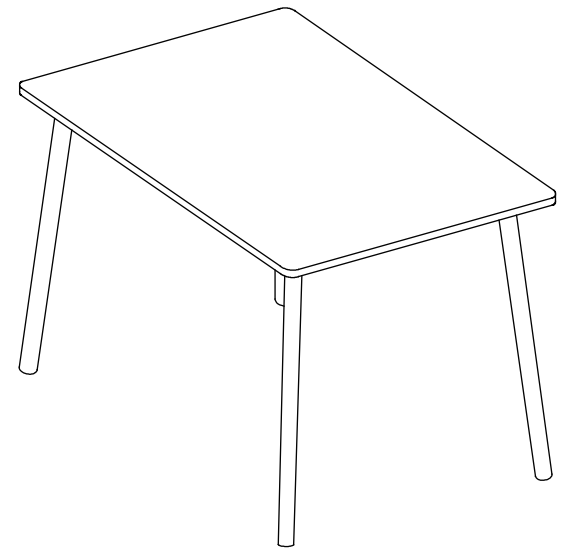
Step 1-Use screws (Part J) to connect table feet(Part B) and cross-bars(Part C) as a table metal frame

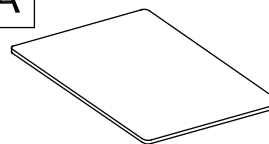
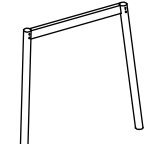
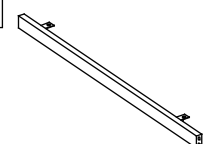
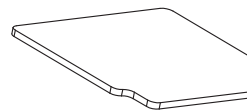

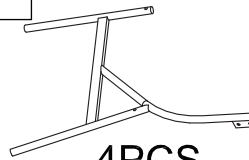

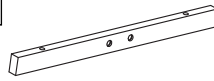
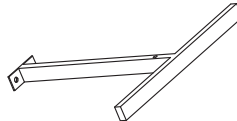

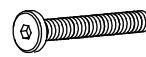




Step 2-Use screws (Part L) to connect the table metal frame to the table top(Part A)



Step 3-Finish

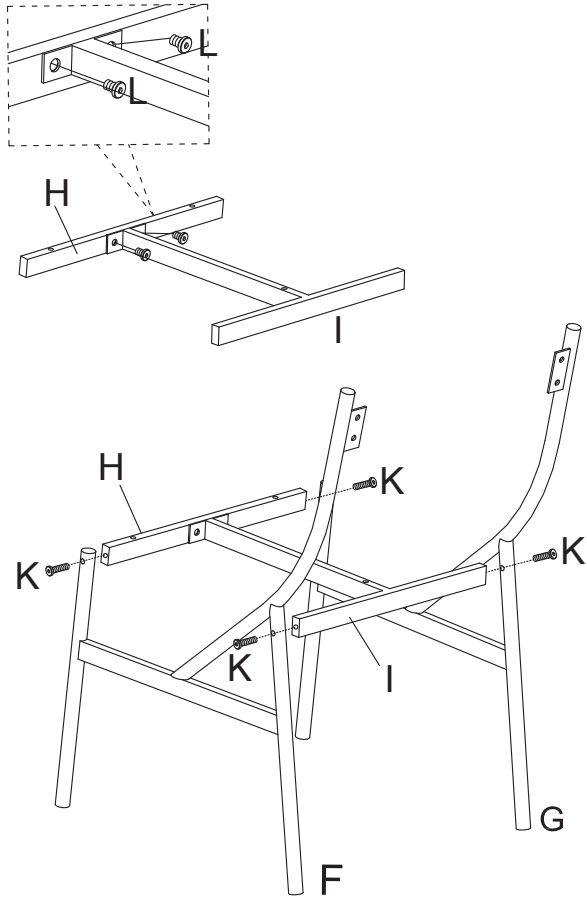


<p>A</p>  <p>1PCS</p>	<p>B</p>  <p>2PCS</p>	<p>C</p>  <p>2PCS</p>	<p>D</p>  <p>4PCS</p>	<p>E</p>  <p>4PCS</p>	<p>F</p>  <p>4PCS</p>	<p>G</p>  <p>4PCS</p>
<p>H</p>  <p>4PCS</p>	<p>I</p>  <p>4PCS</p>	<p>J</p>  <p>8PCS</p>	<p>K</p>  <p>28PCS</p>	<p>L</p>  <p>28PCS</p>	<p>M</p>  <p>1PCS</p>	

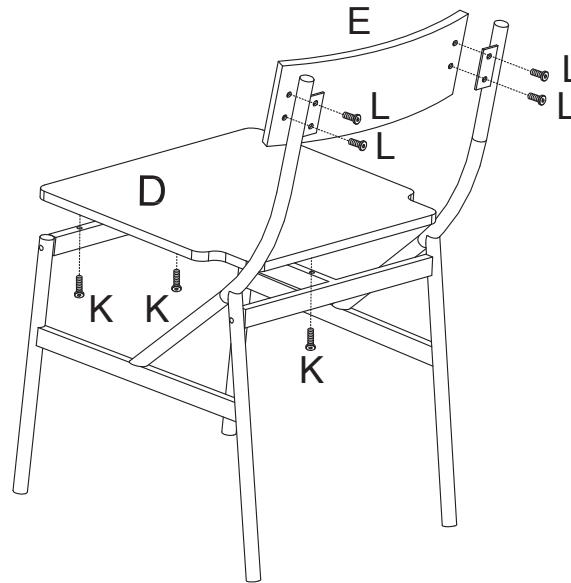
ASSEMBLY INSTRUCTION

DO NOT TIGHTEN SCREWS UNTIL COMPLETELY ASSEMBLED

Step 1-Use screws (Part K) to connect chair feet(Part F/G) and use screws (Part L) to connect cross-bar(Part I/H) as a metal chair frame



Step 2-Use screws (Part K) to connect the chair metal frame to the chair seat (Part D)
Use screws (Part L) to connect Backrest (Part E) to the chair metal frame



Step 3-Finish

