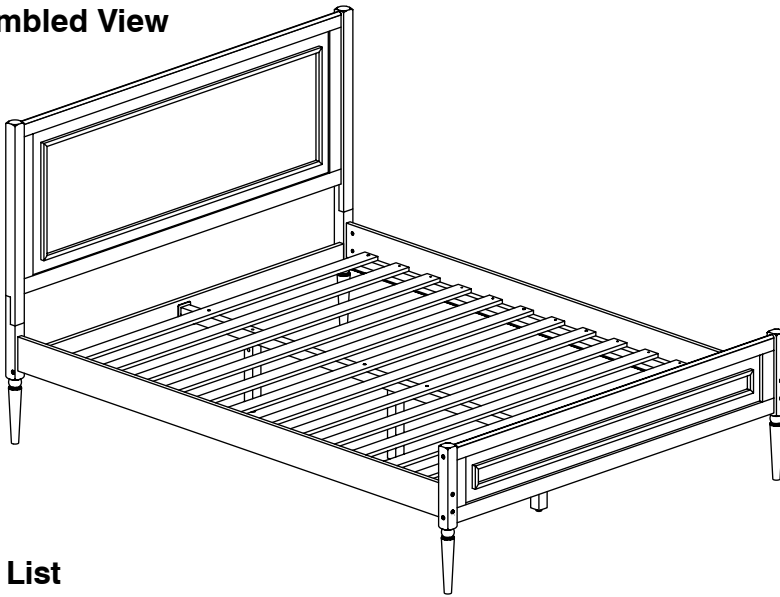


0076 Queen Bed

Assembly Instructions

WI-1220

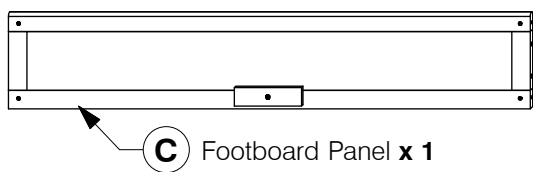
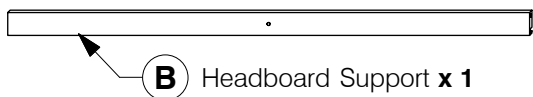
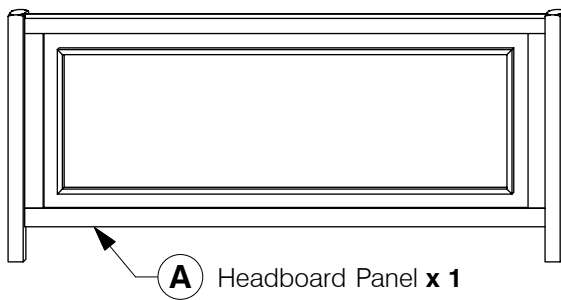
1 Assembled View



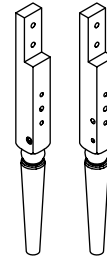
Note: Do not assemble using power tools. This can cause the bolts to be overtightened

2 Parts List

Parts in Box A:

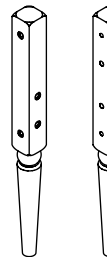


F
Headboard Post (Left Hand) x 1



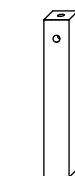
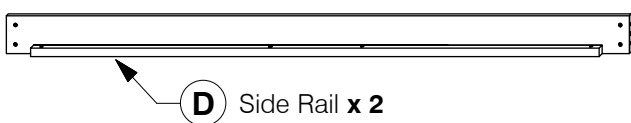
G
Headboard Post (Right Hand) x 1

H
Footboard Post (Left Hand) x 1

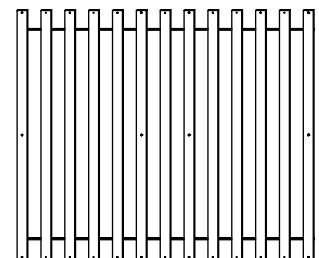


J
Footboard Post (Right Hand) x 1

Parts in Box B:



K
Support Leg x 3



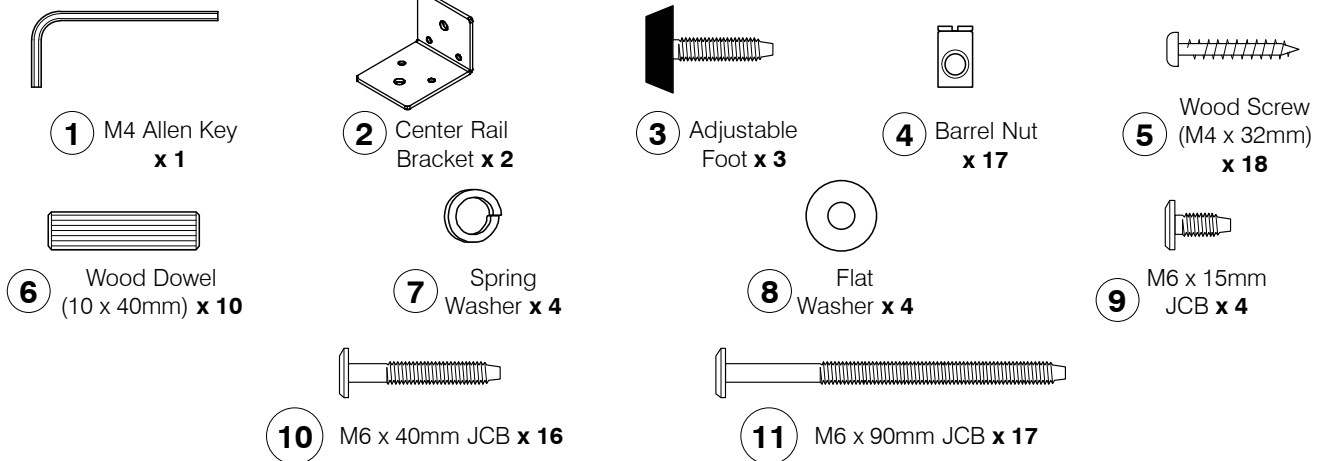
L Set of Bed Slats x 1

0076 Queen Bed

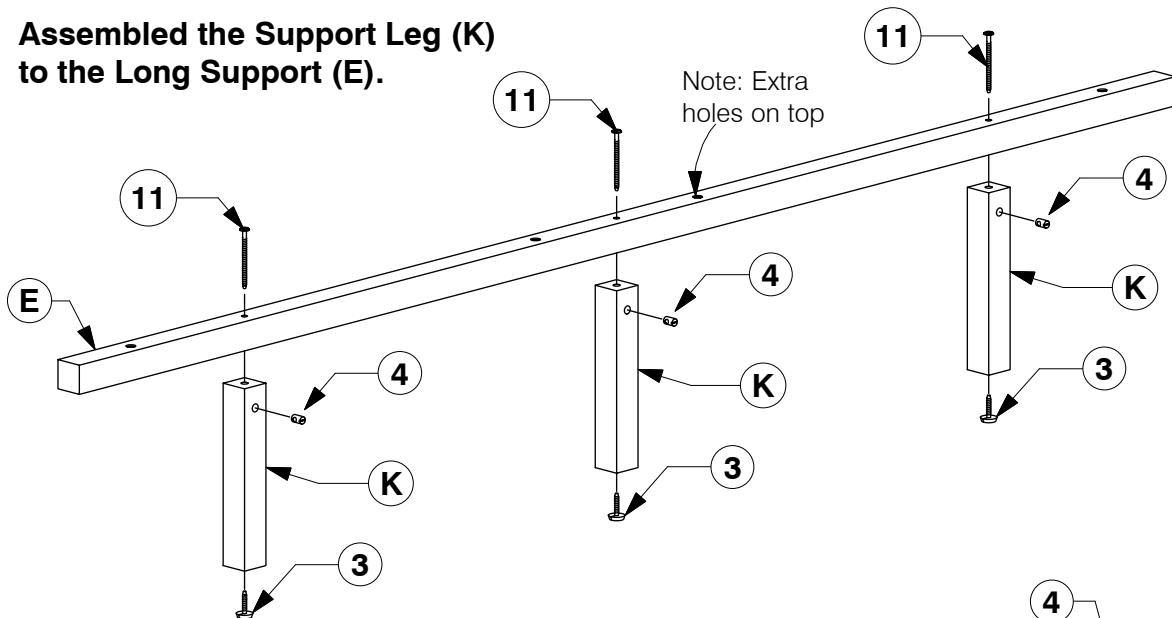
Assembly Instructions

WI-1220

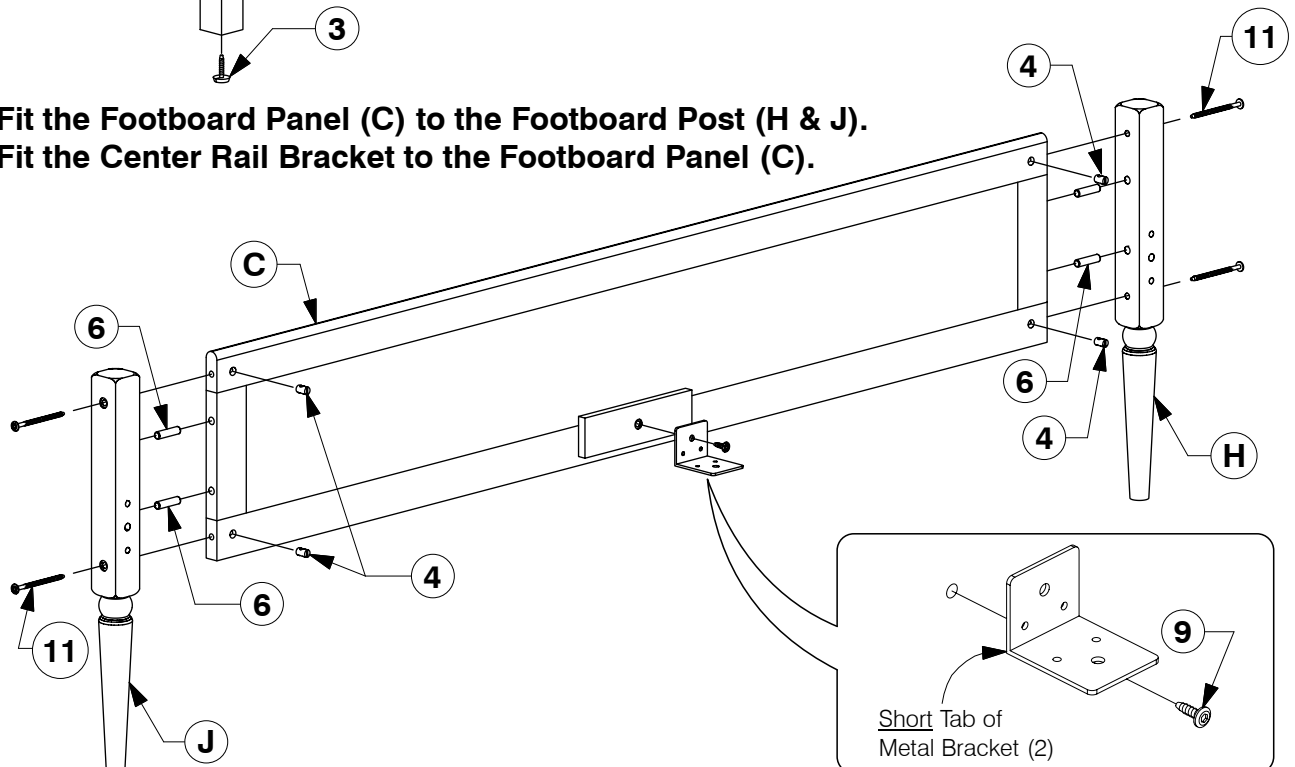
3 Hardware List



4 Assembled the Support Leg (K) to the Long Support (E).



5 Fit the Footboard Panel (C) to the Footboard Post (H & J). Fit the Center Rail Bracket to the Footboard Panel (C).

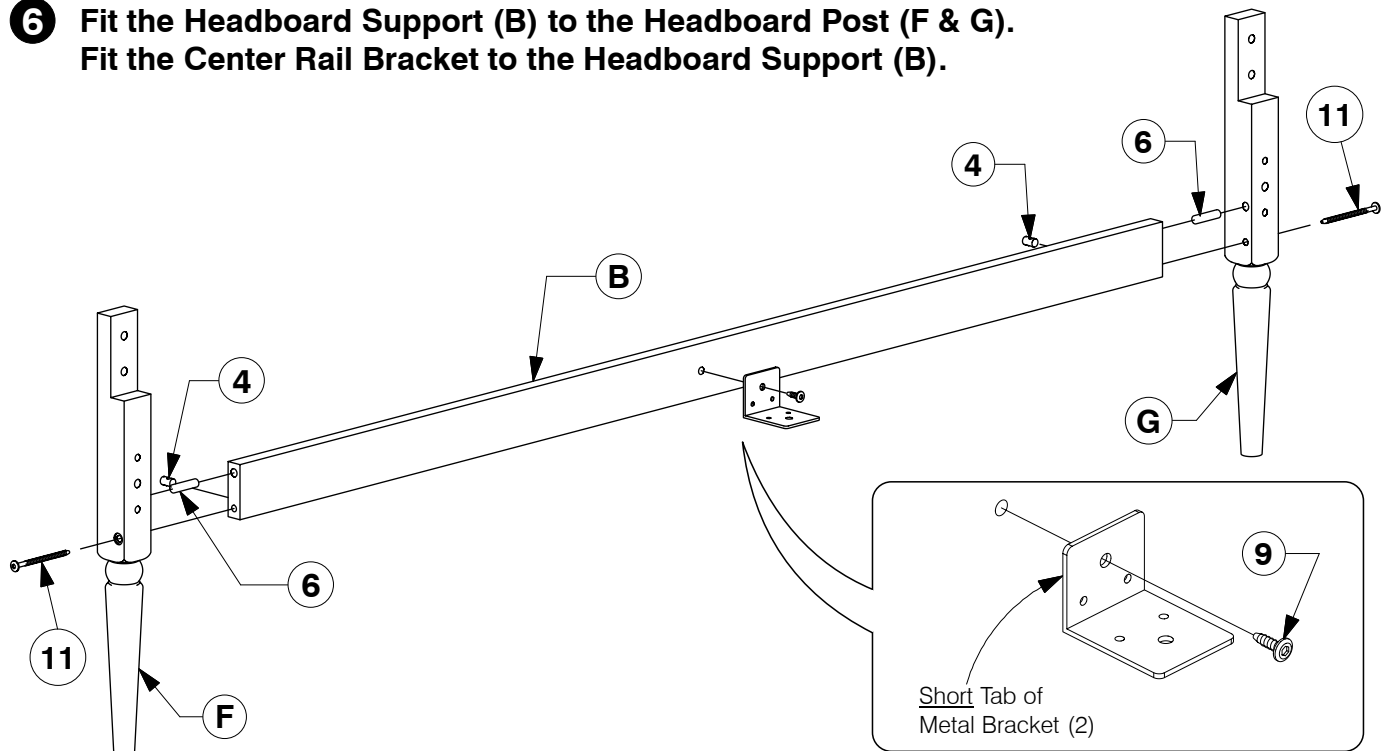


0076 Queen Bed

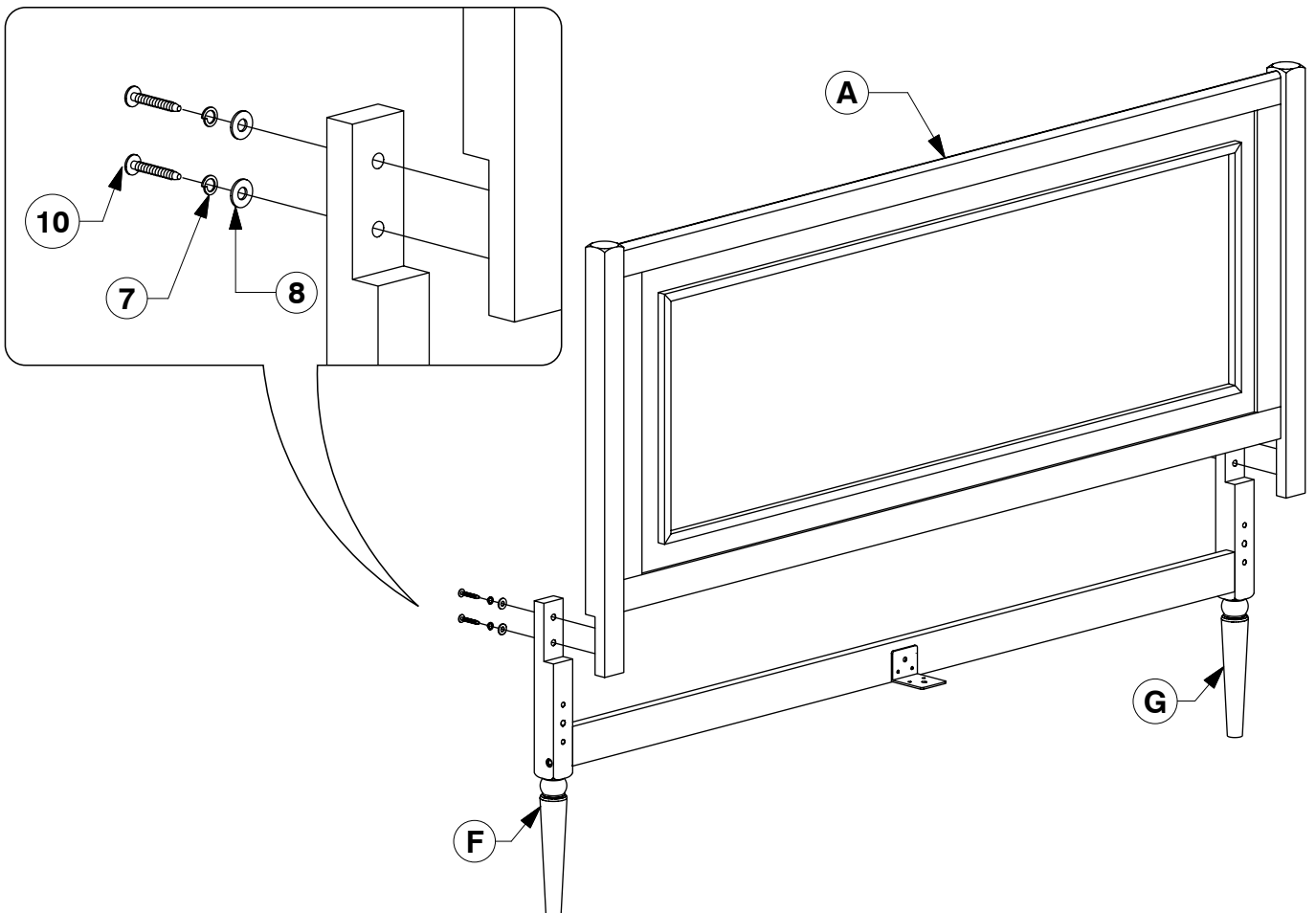
Assembly Instructions

WI-1220

- 6** Fit the Headboard Support (B) to the Headboard Post (F & G).
Fit the Center Rail Bracket to the Headboard Support (B).



- 7** Assemble the Headboard Panel (A) to the Headboard Post (F & G).

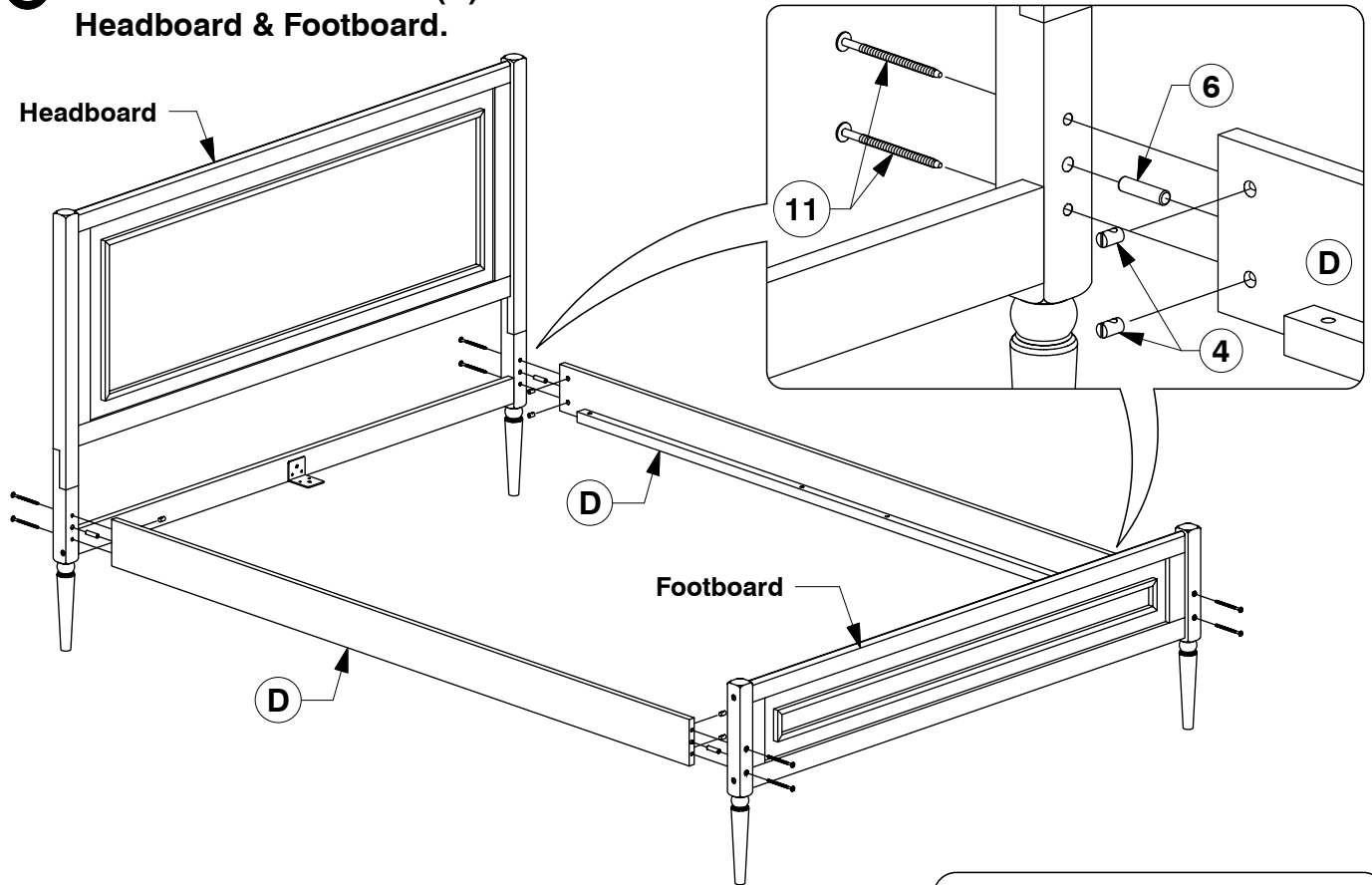


0076 Queen Bed

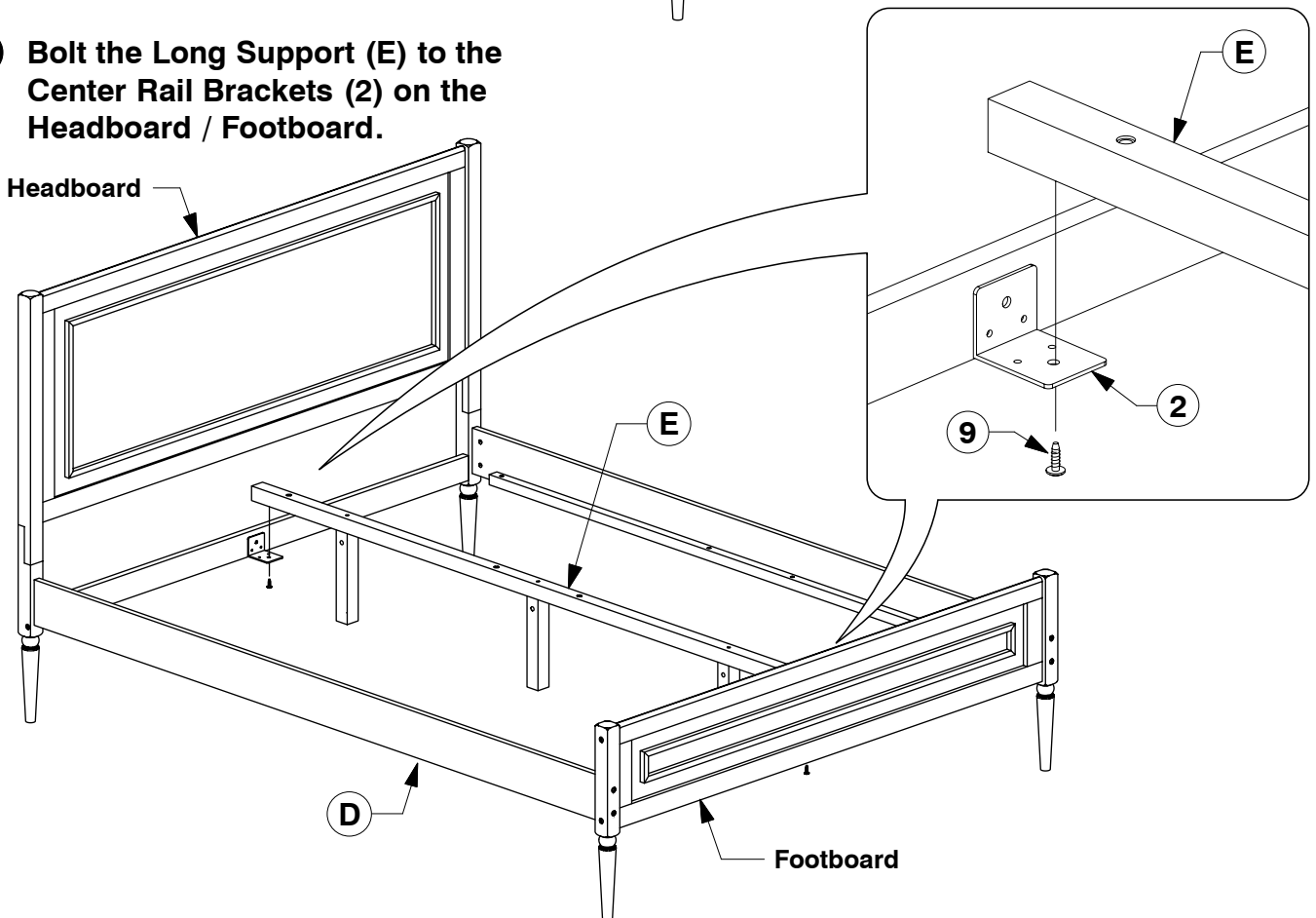
Assembly Instructions

WI-1220

8 Assemble the Side Rail (D) to the Headboard & Footboard.



9 Bolt the Long Support (E) to the Center Rail Brackets (2) on the Headboard / Footboard.

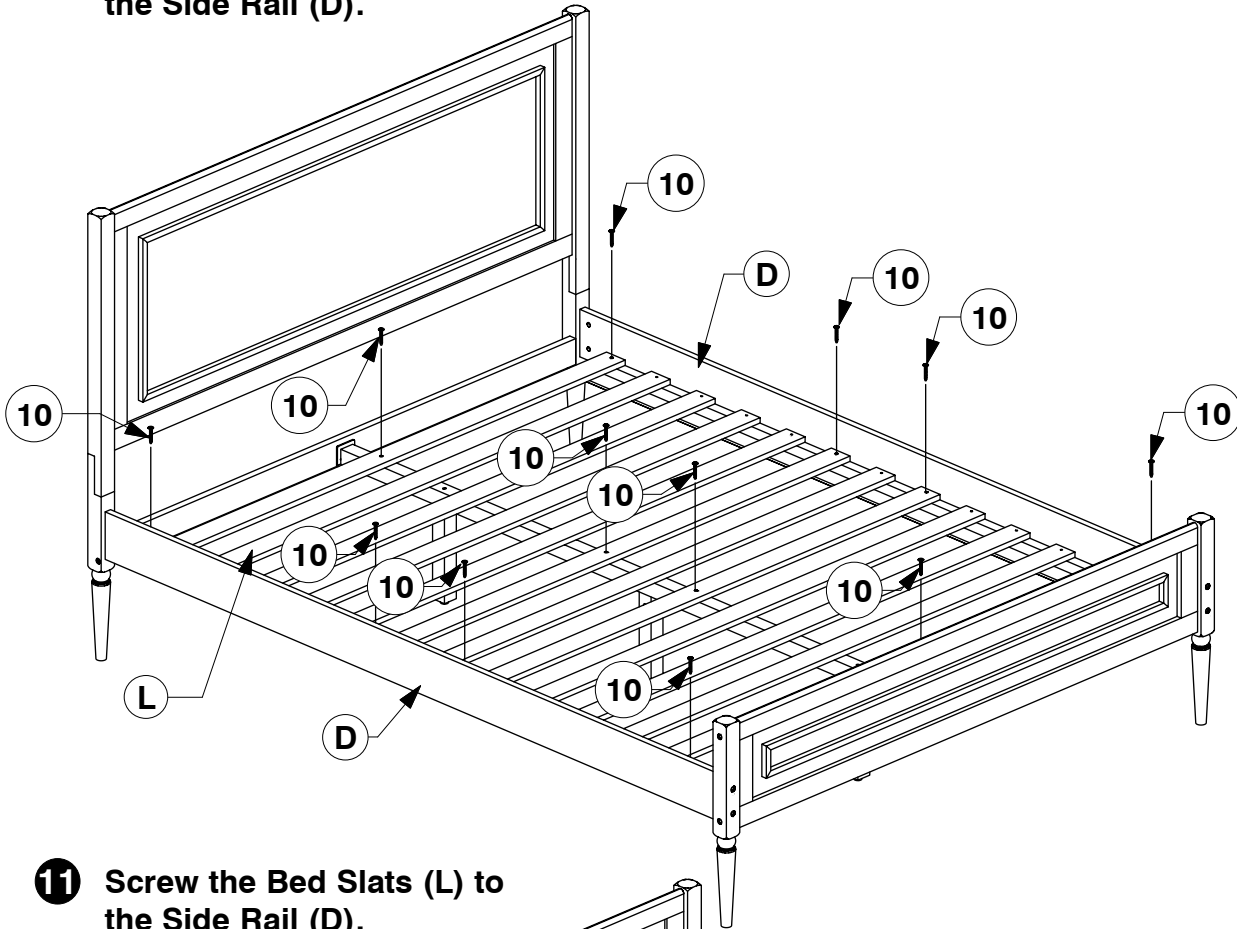


0076 Queen Bed

Assembly Instructions

WI-1220

- 10** Bolt the Bed Slats (L) to the Side Rail (D).



- 11** Screw the Bed Slats (L) to the Side Rail (D).

