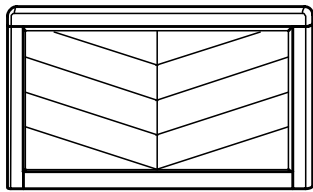


9733 Twin Headboard

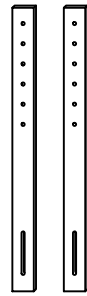
Assembly Instructions

WI-1220

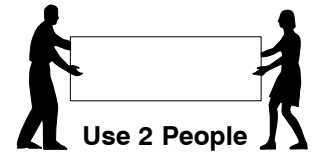
1 Parts List



A
Headboard Panel x 1



B
Support Bars x 2



2 Hardware List



1 M6 x 35mm JCB
x 10



2 Spring Washer
x 10



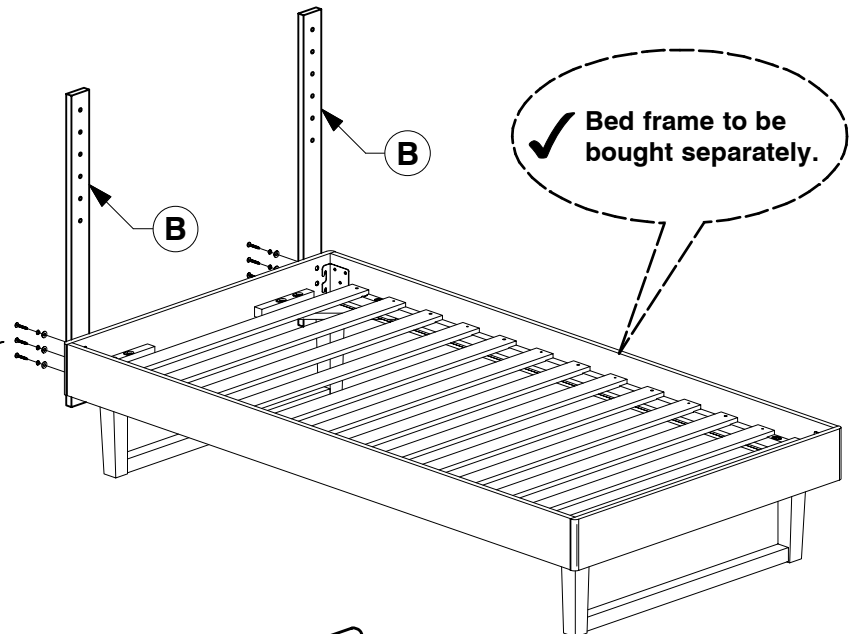
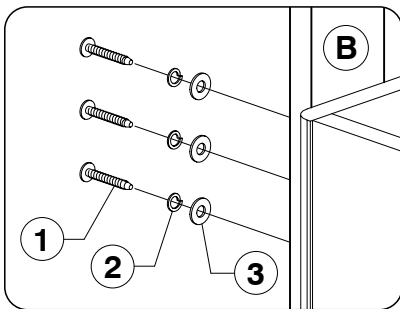
3 Flat Washer
x 10



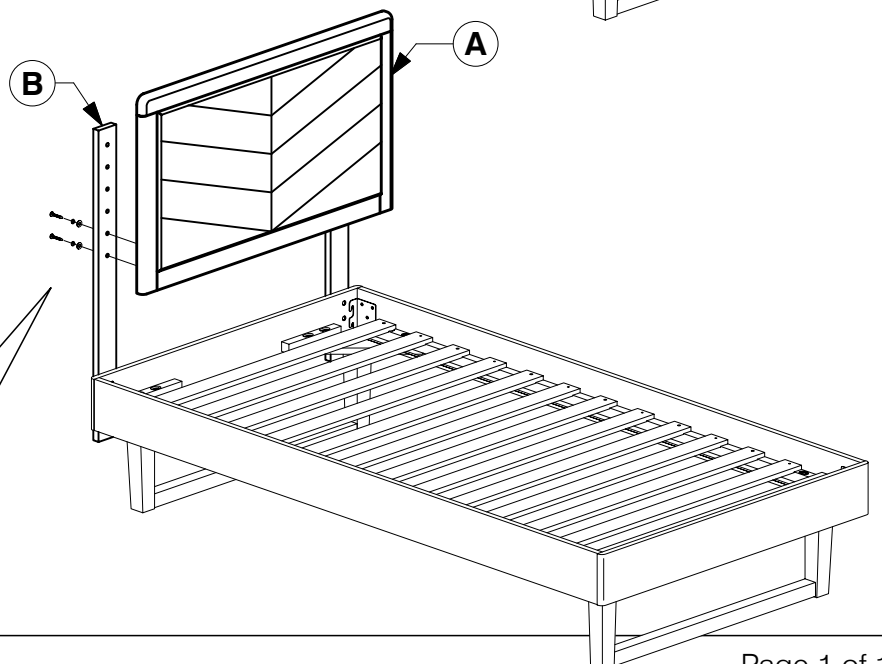
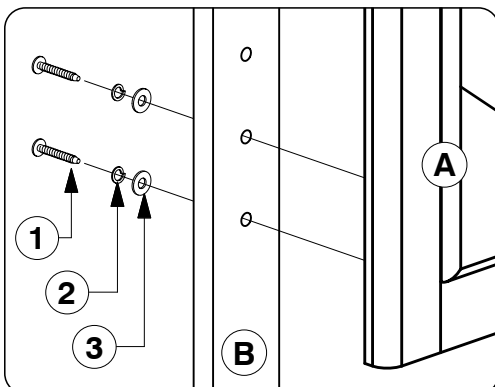
4 Allen Key
x 1

Note: Do not assemble using power tools. This can cause the bolts to be overtightened

3 Assemble the Support Bars (B) to the Headboard Panel.



4 Assemble the Headboard Panel (A) to the Support Bars (B).

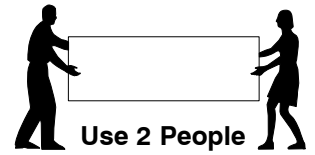
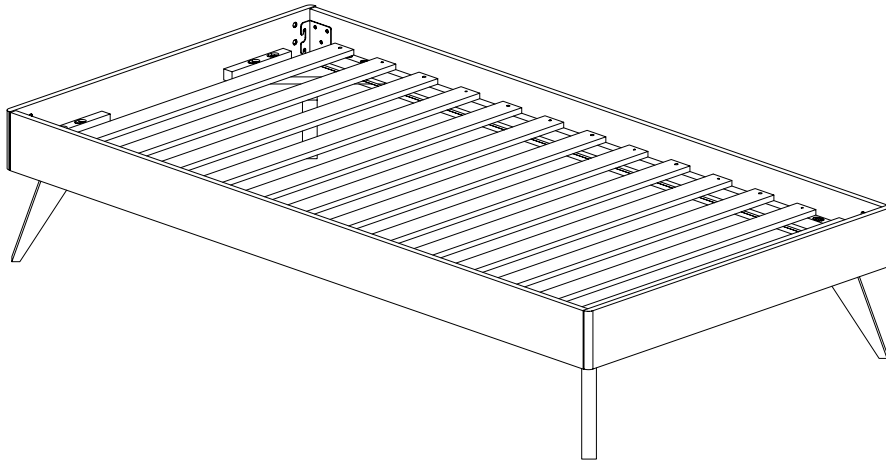


9704 Twin Bed

Assembly Instructions

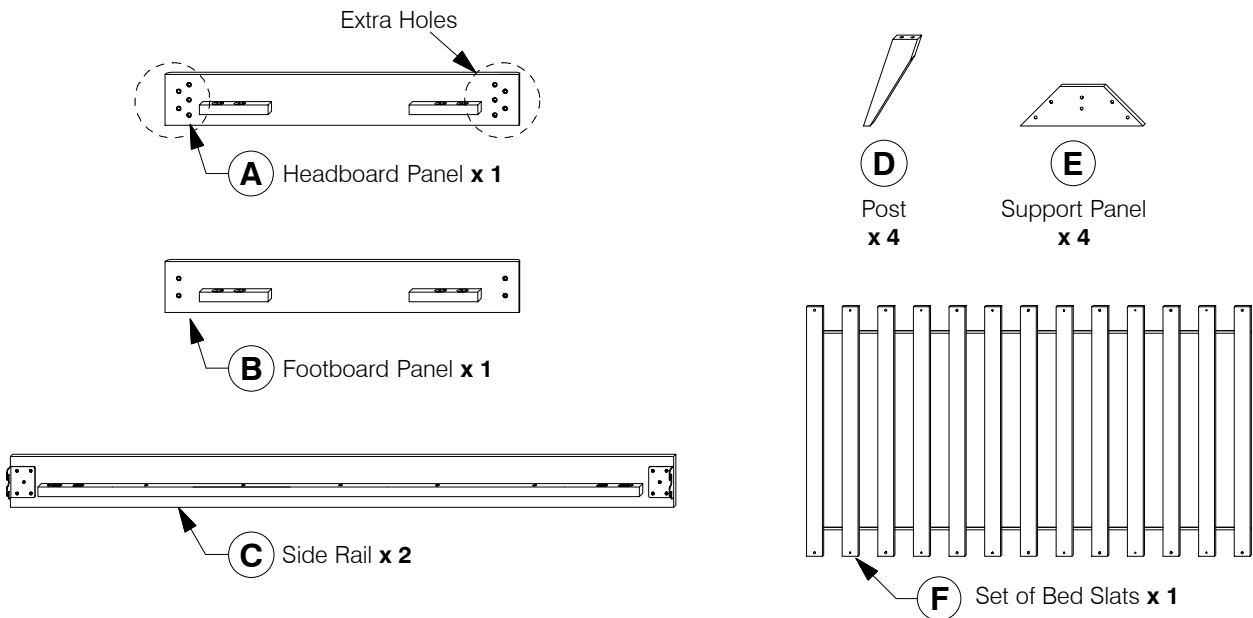
W11-0720

1 Assembled View



Note: Do not assemble using power tools. This can cause the bolts to be overtightened

2 Parts List



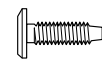
3 Hardware List



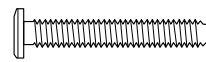
1 M6 x 50mm JCB x 16



2 M6 x 40mm JCB x 14



3 M6 x 20mm JCB x 8



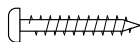
4 M8 x 50mm JCB x 8



5 Spring Washer x 24



6 Flat Washer x 24



7 Wood Screw (M4 x 32mm) x 12



8 M4 Allen Key x 1



9 M5 Allen Key x 1

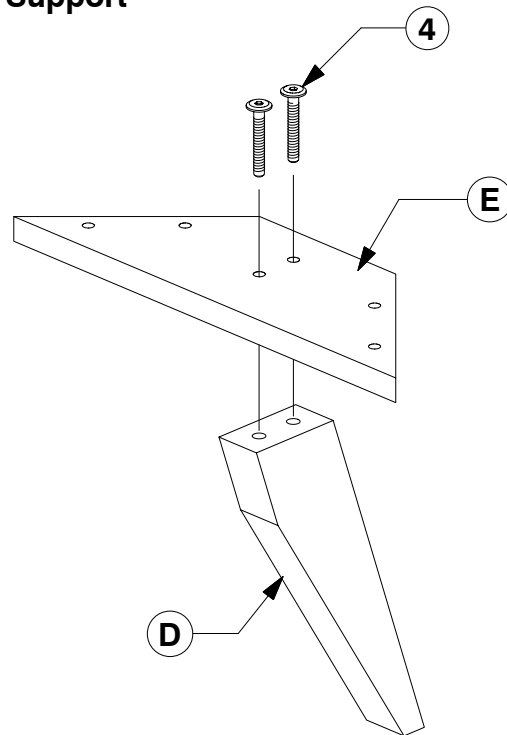
9704 Twin Bed

Assembly Instructions

WII-0720

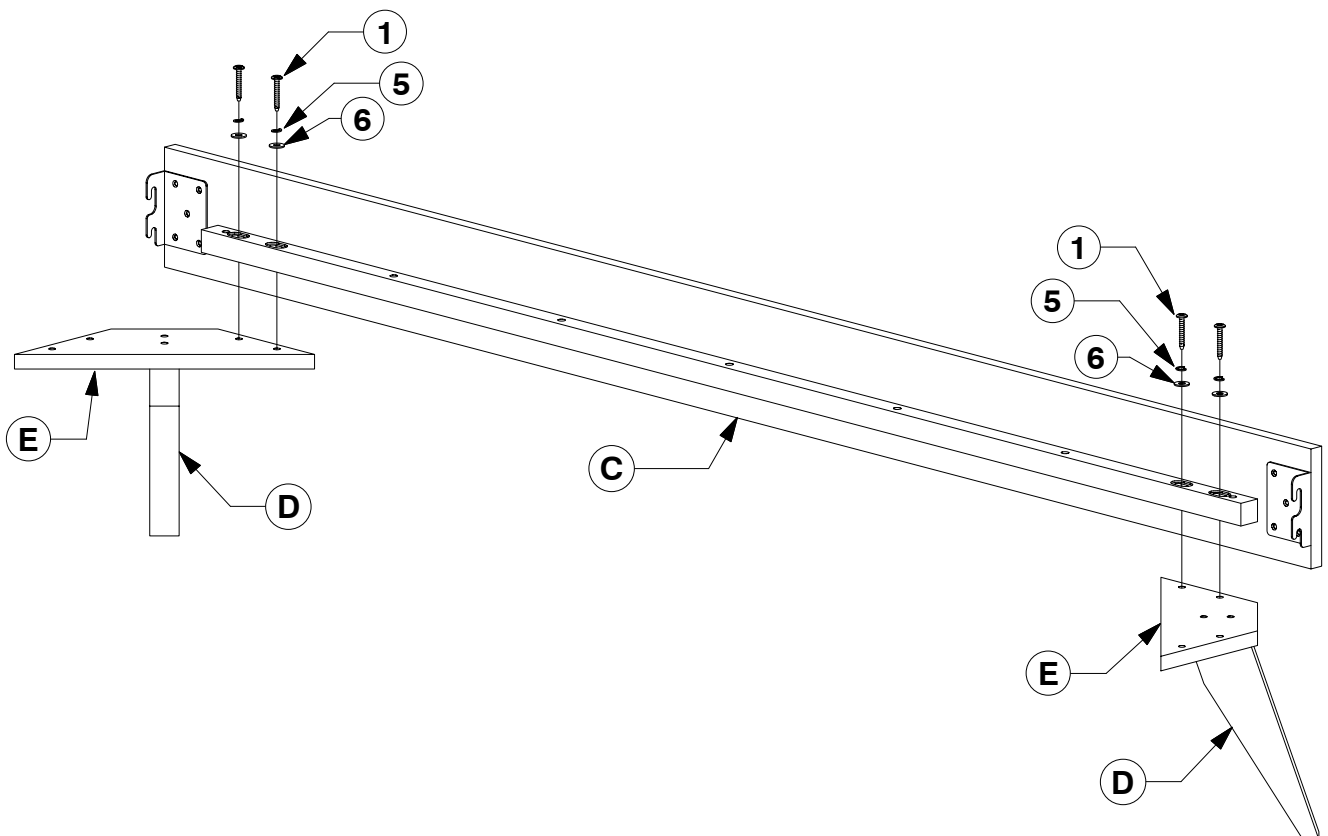
- 4** Fit the Post (D) to the Support Panel (E).

x4



- 5** Bolt the Post & Support Panel (D & E) to the Side Rail (C).

x2

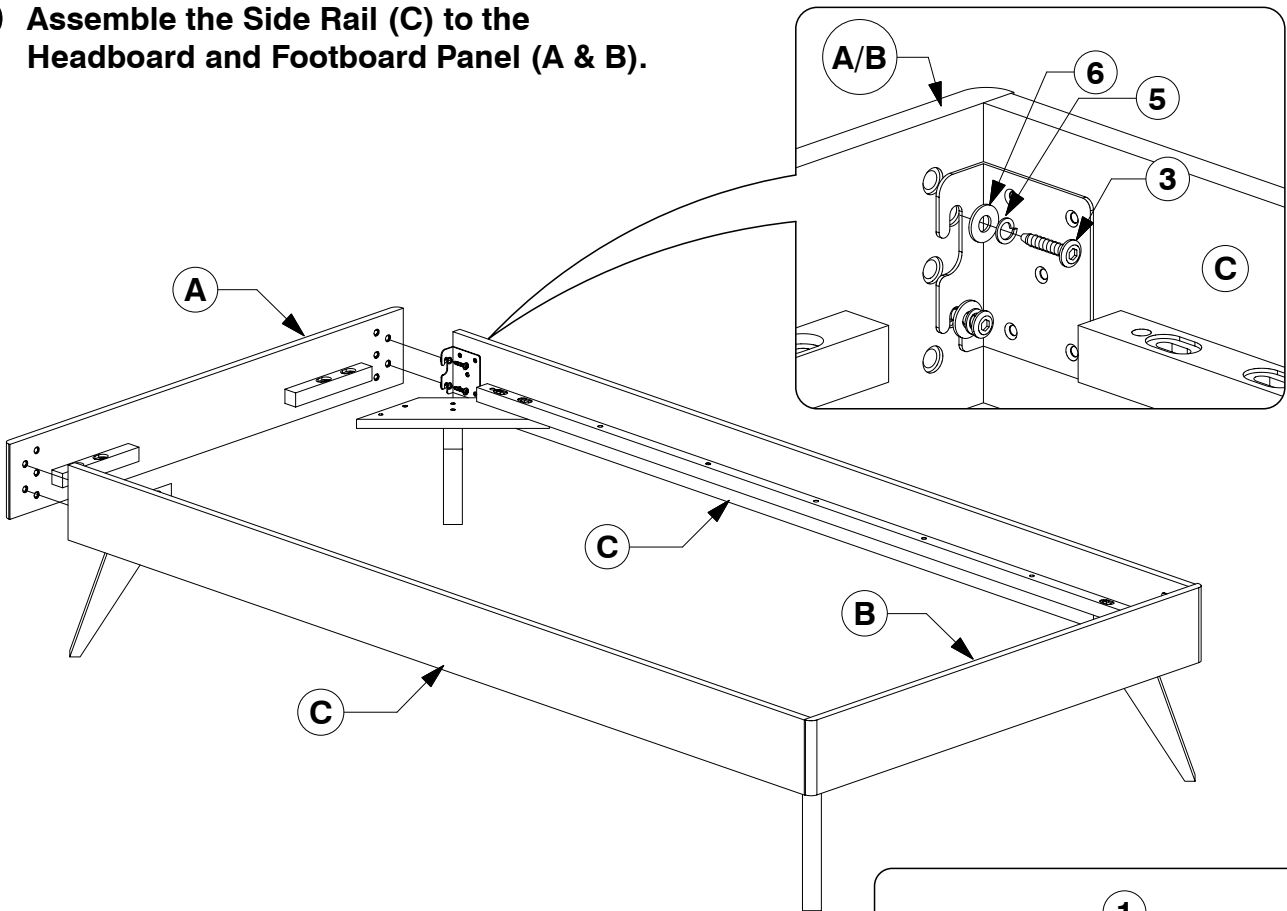


9704 Twin Bed

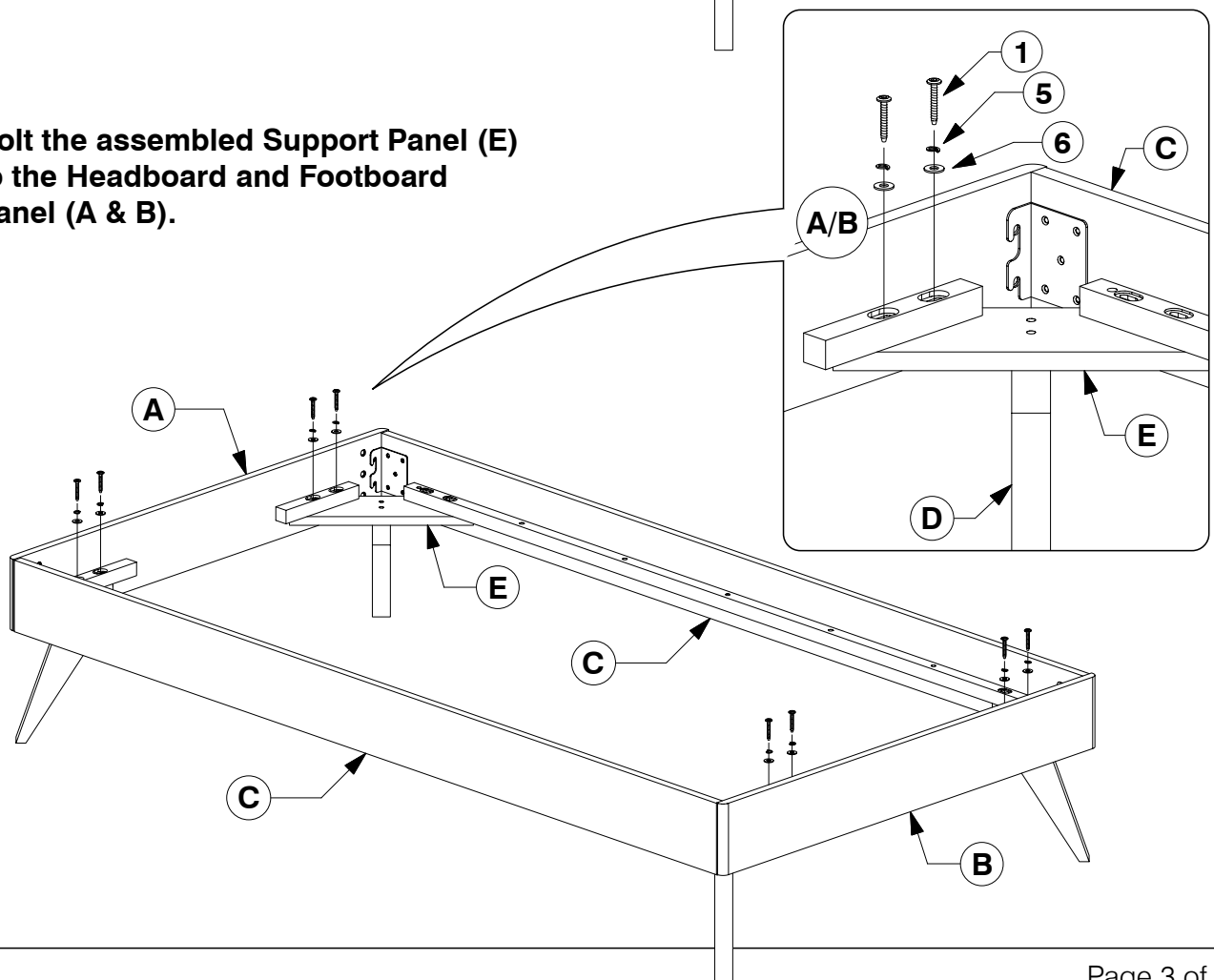
Assembly Instructions

W11-0720

- 6** Assemble the Side Rail (C) to the Headboard and Footboard Panel (A & B).



- 7** Bolt the assembled Support Panel (E) to the Headboard and Footboard Panel (A & B).

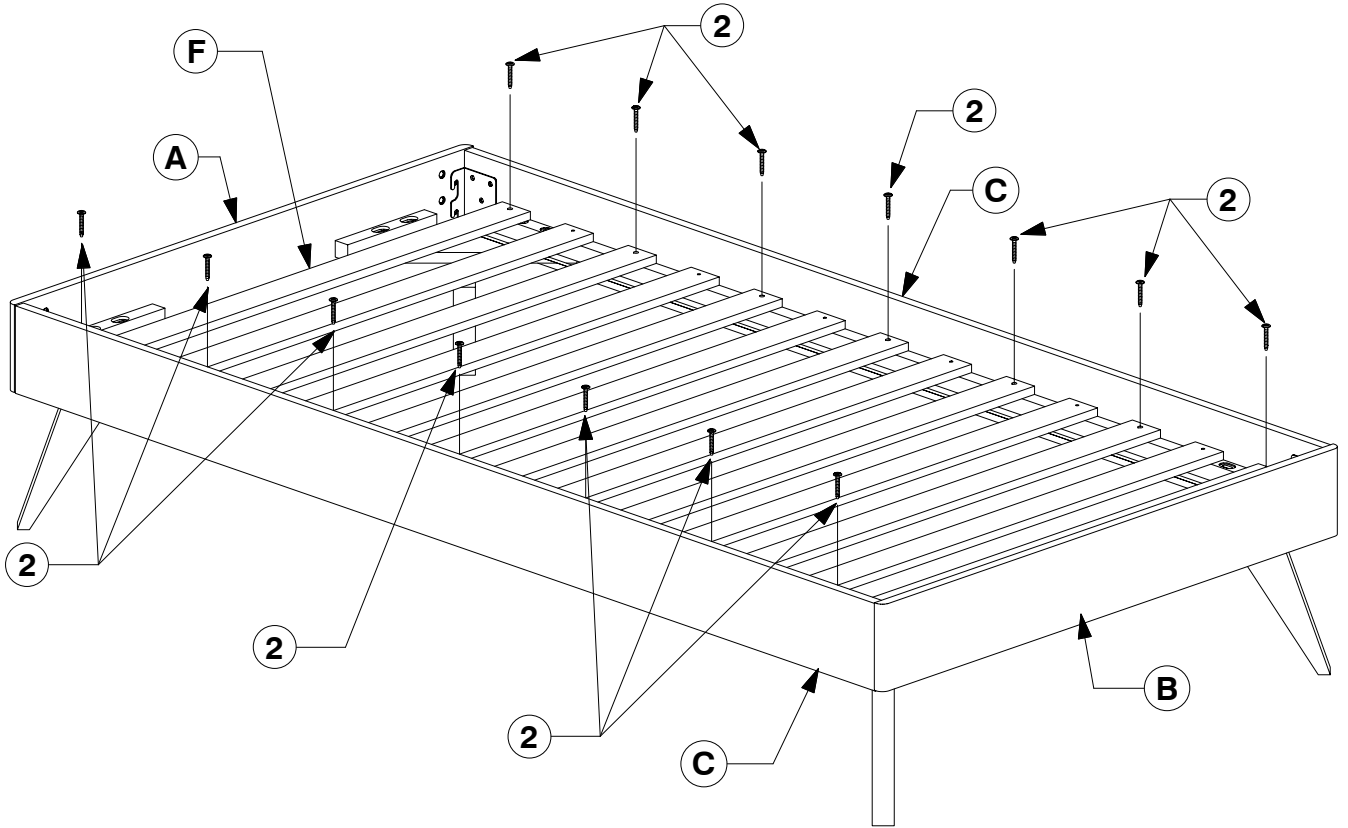


9704 Twin Bed

Assembly Instructions

W11-0720

8 Bolt the Bed Slats (F) to the Side Rail (C).



9 Screw the Bed Slats (F) to the Side Rail (C).

