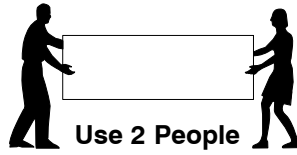
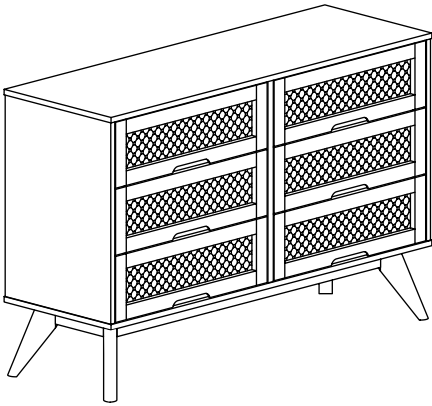


# 9001 6 Drawer Dresser

## Assembly Instructions

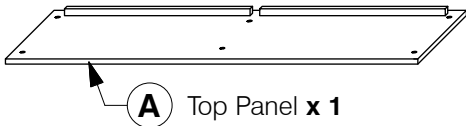
WI-1220



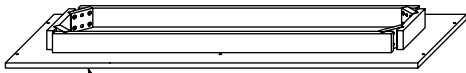
**Note:** Do not assemble using power tools. This can cause the bolts to be overtightened

### 1 Parts List

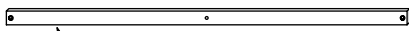
#### Parts in Box A:



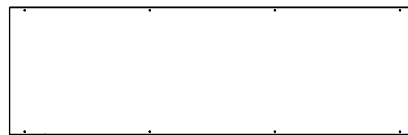
**A** Top Panel x 1



**B** Bottom Panel x 1



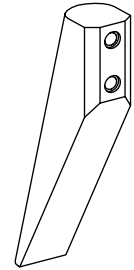
**C** Support Bar x 2



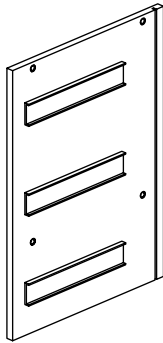
**D** Back Panel (Wider) x 1



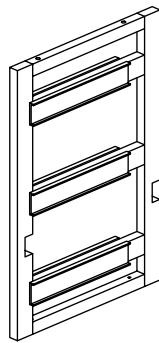
**E** Back Panel (Narrow) x 1



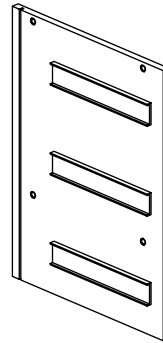
**F** Post x 4



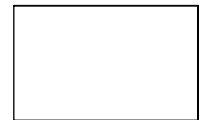
**G** Side Panel (Left Hand) x 1



**H** Center Frame x 1

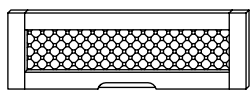


**J** Side Panel (Right Hand) x 1

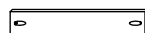


**K** Drawer Bottom x 6

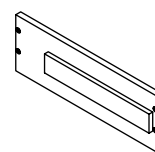
#### Parts in Box B:



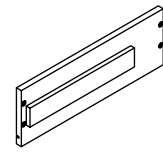
**L** Drawer Face x 6



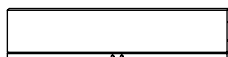
**N** Drawer Rail x 6



**O** Drawer Side (Left Hand) x 6



**P** Drawer Side (Right Hand) x 6



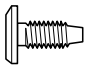


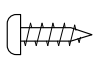
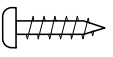
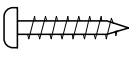

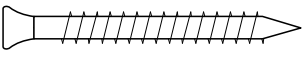


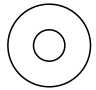

**M** Drawer Back x 6

# 9001 6 Drawer Dresser

## Assembly Instructions

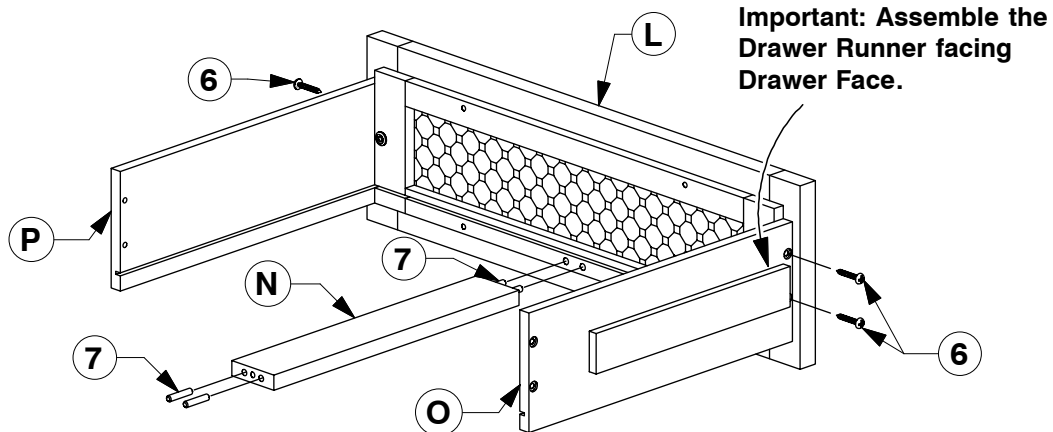
WI-1220

### 2 Hardware List

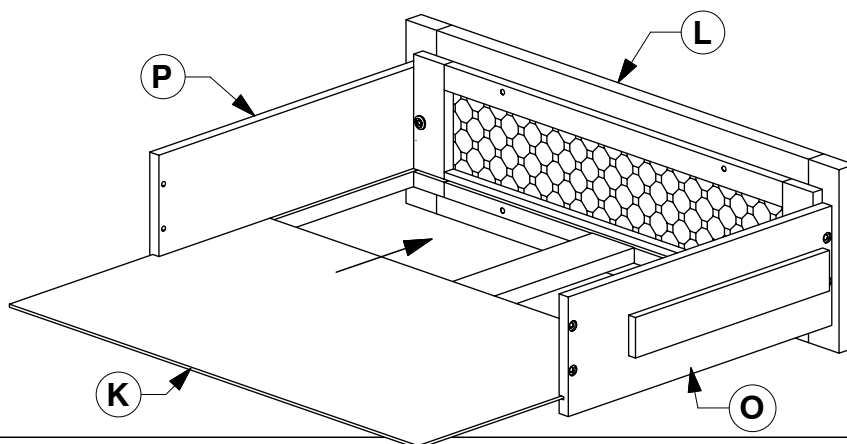
- |  |  |  |  |
|--|--|--|--|
| <br><b>1</b> M6 x 15mm JCB<br>x 16          | <br><b>2</b> M6 x 60mm JCB<br>x 8           | <br><b>3</b> M6 x 35mm JCB<br>x 4        | <br><b>4</b> Wood Screw (M4 x 16mm)<br>x 16     |
| <br><b>5</b> Wood Screw (M4 x 20mm)<br>x 24 | <br><b>6</b> Wood Screw (M4 x 25mm)<br>x 60 | <br><b>7</b> M6 x 25mm Wood Dowel<br>x 24 | <br><b>8</b> CSK Cap Wood Screw (M6 x 50mm) x 6 |
| <br><b>9</b> 'L' Bracket (5005-3) x 8       | <br><b>10</b> Spring Washer x 8             | <br><b>11</b> Flat Washer x 8            | <br><b>12</b> Allen Key x 1                     |

### 3 Assemble the Drawer Sides (O & P) & Drawer Rail (N) to the Drawer Face (L).

x6



### 4 Slide the Drawer Bottom (K) into the groove on the Drawer Sides (O & P).



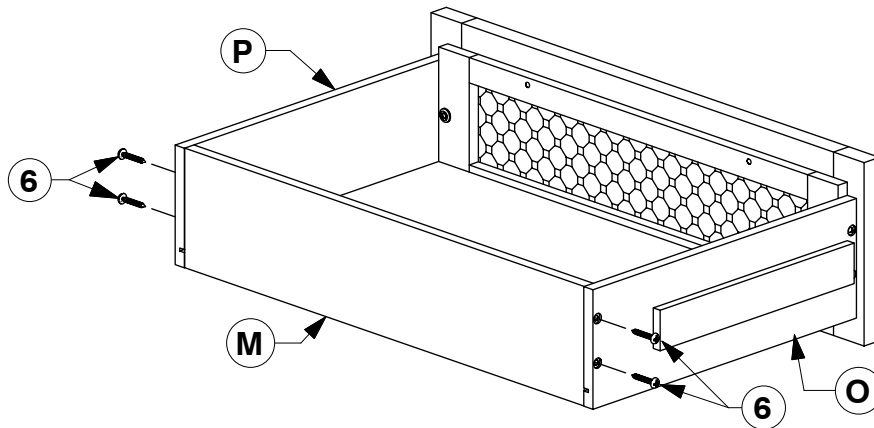
# 9001 6 Drawer Dresser

## Assembly Instructions

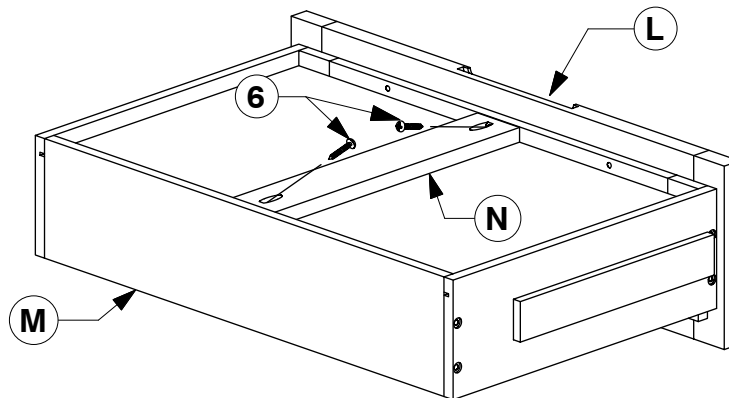
WI-1220

- 5** Assemble the Drawer Back (M) to the Drawer Sides (O & P).

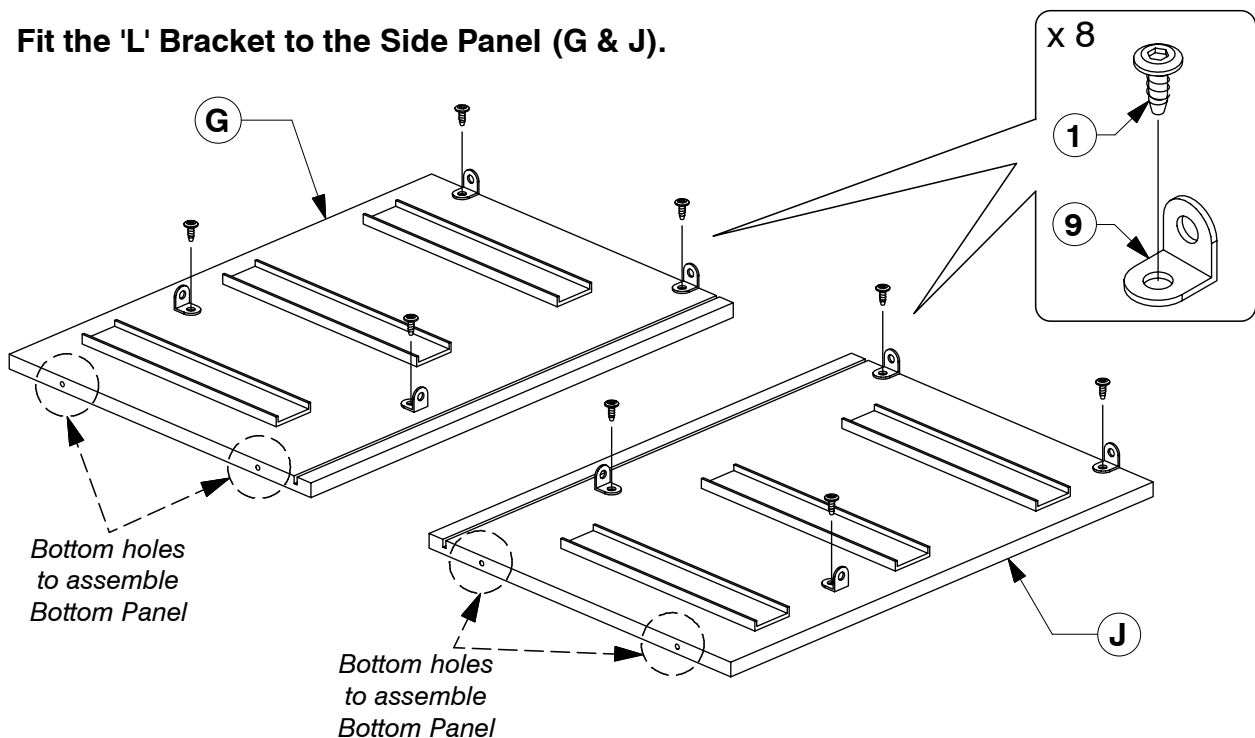
x6



- 6** Turn the Drawer over to fit angled 25mm Wood screws (6) to the Drawer Rail (N).



- 7** Fit the 'L' Bracket to the Side Panel (G & J).

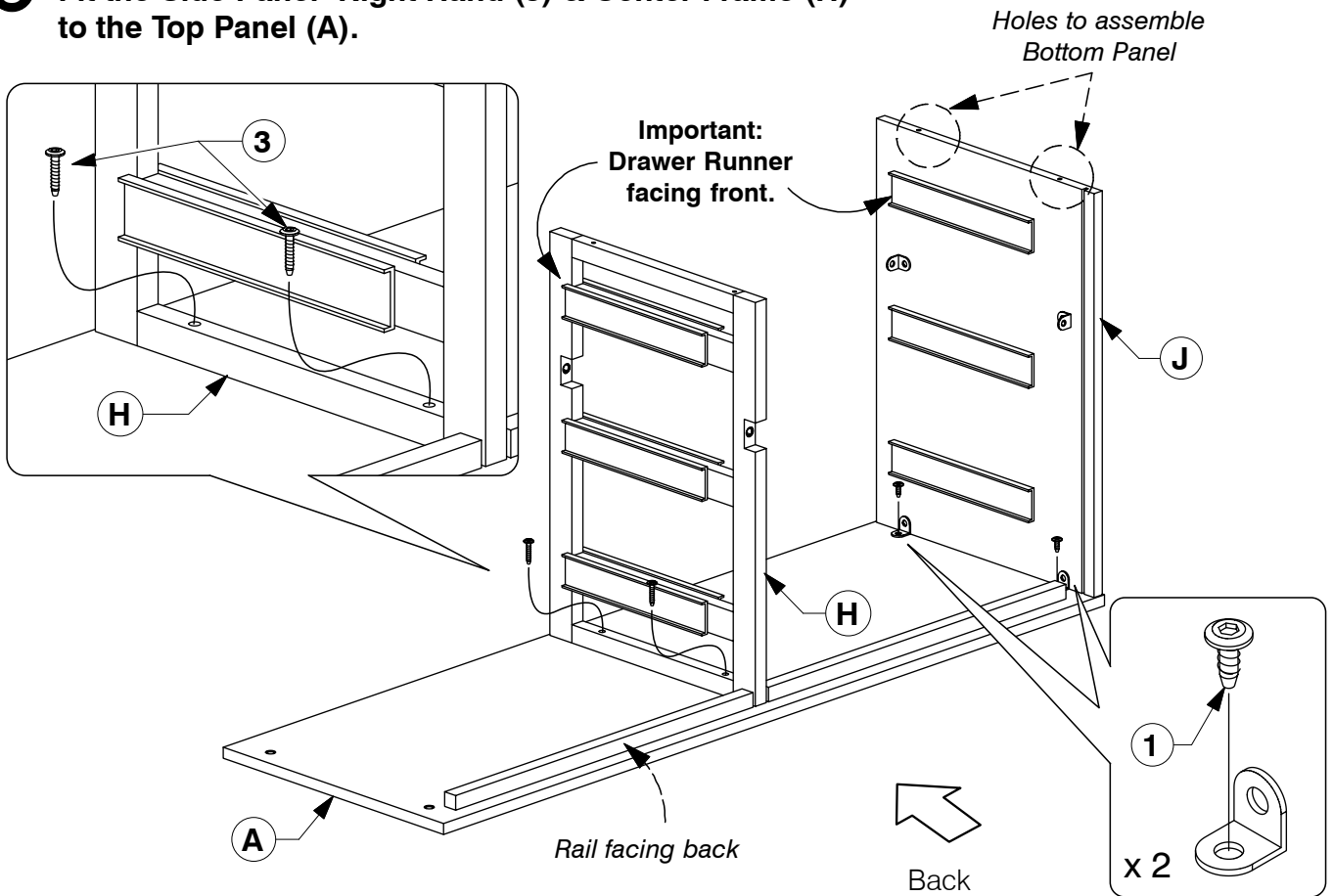


# 9001 6 Drawer Dresser

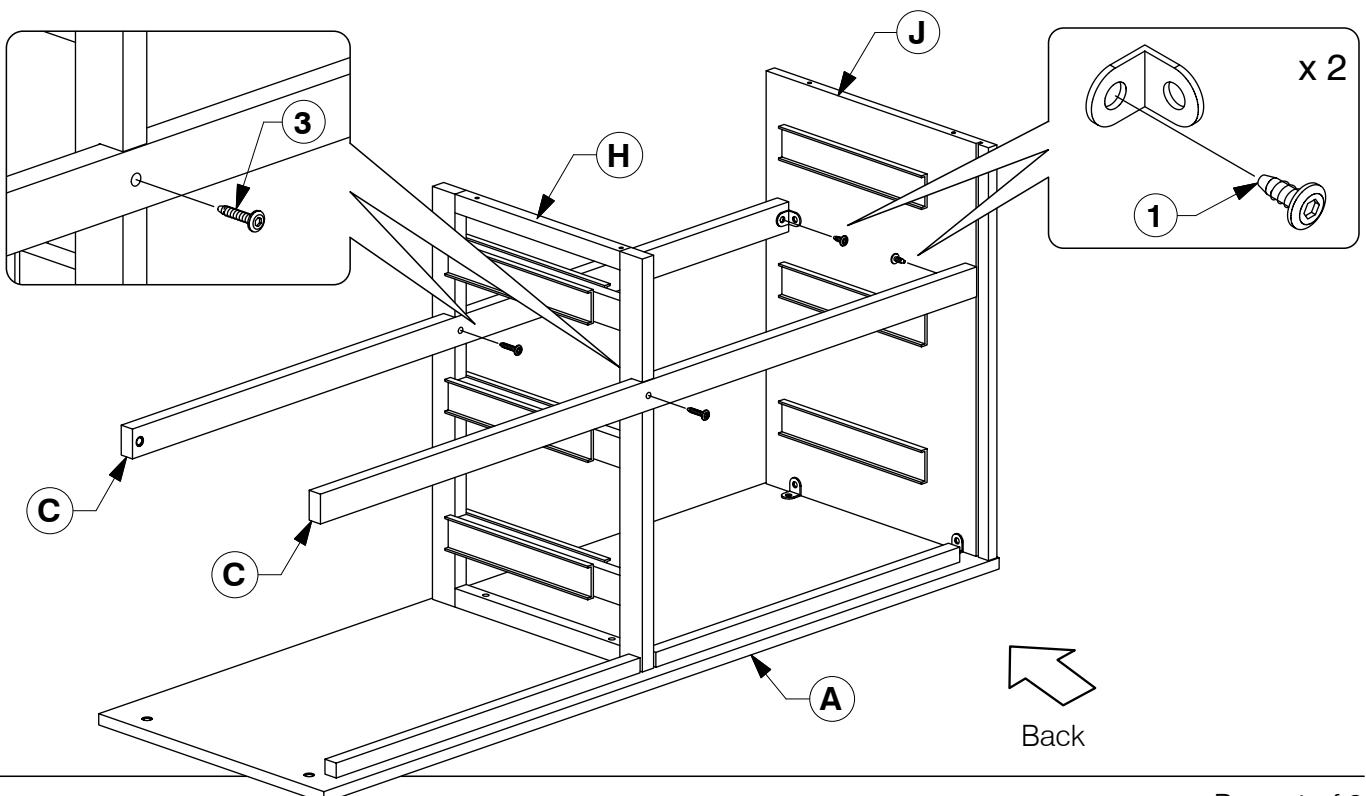
## Assembly Instructions

WI-1220

- 8** Fit the Side Panel- Right Hand (J) & Center Frame (H) to the Top Panel (A).



- 9** Fit the Support Bar (C) to the Side Panel- Right Hand (J) & Center Frame (H) as shown.

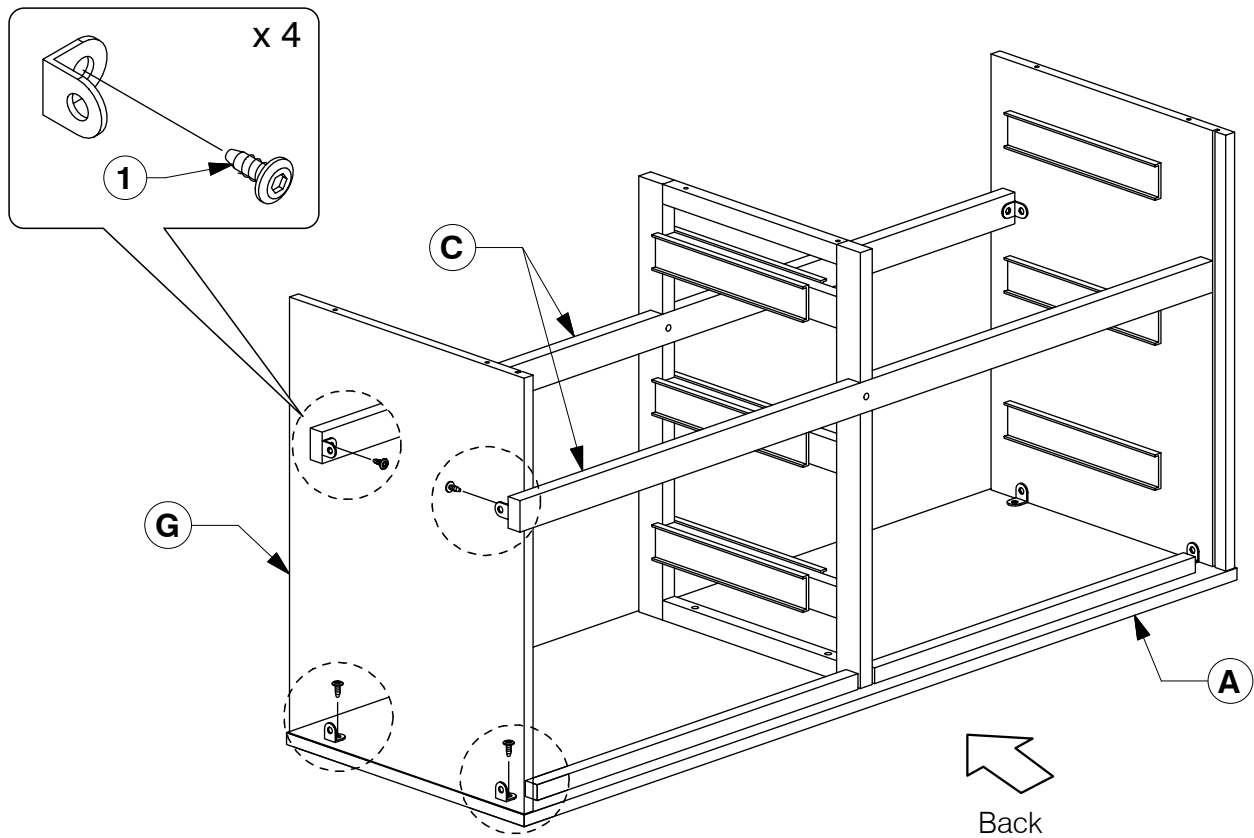


# 9001 6 Drawer Dresser

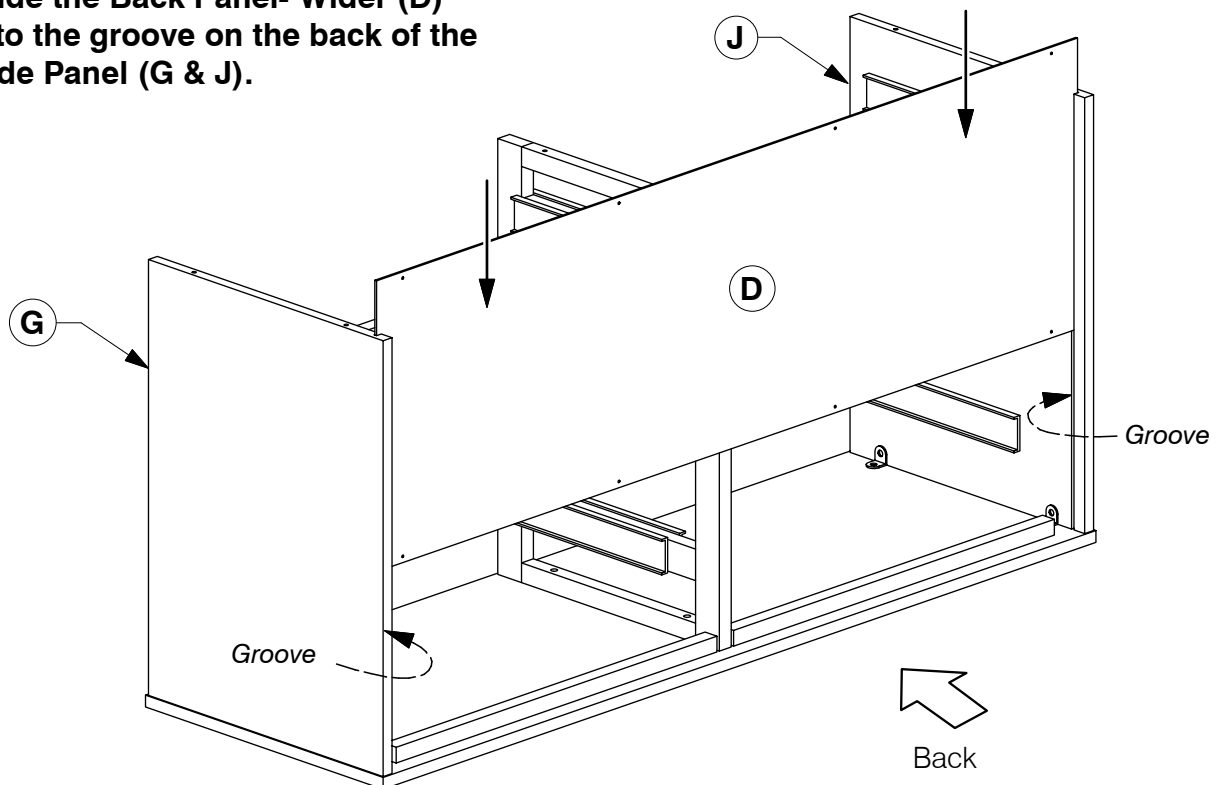
## Assembly Instructions

WI-1220

- 10** Fit the other side of Side Panel- Left Hand (G) to the Top Panel (A) & Support Bar (C).



- 11** Slide the Back Panel- Wider (D) into the groove on the back of the Side Panel (G & J).

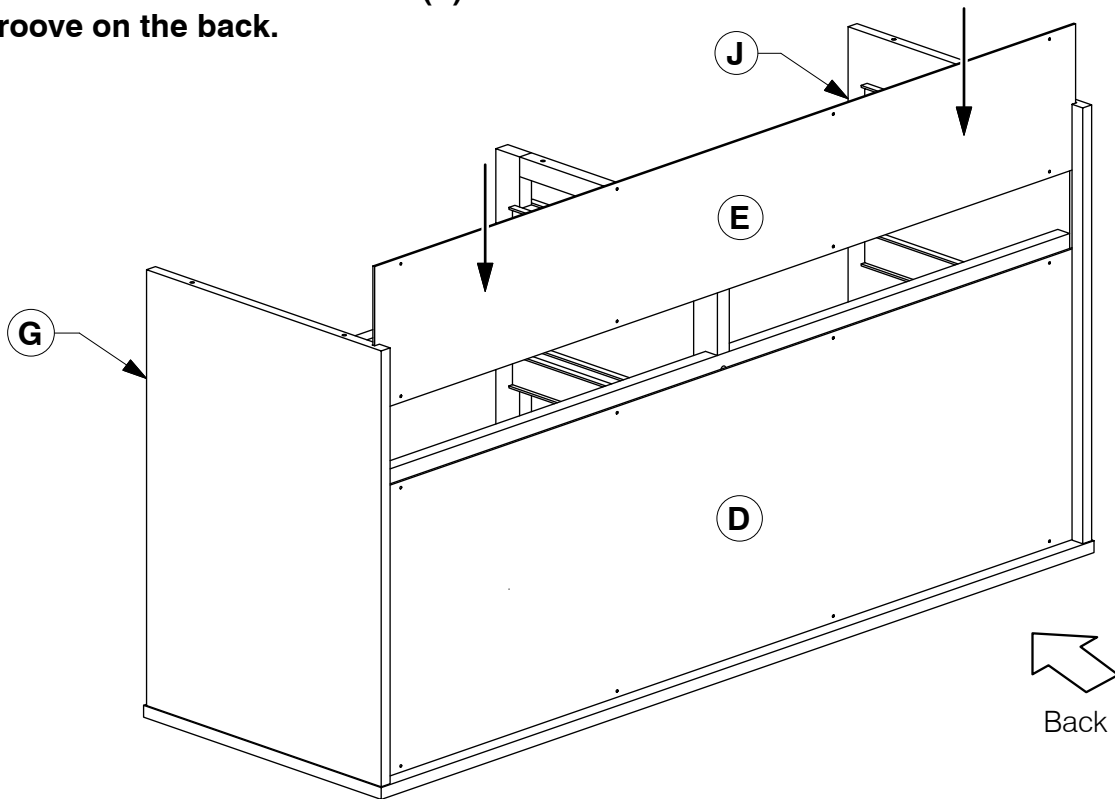


# 9001 6 Drawer Dresser

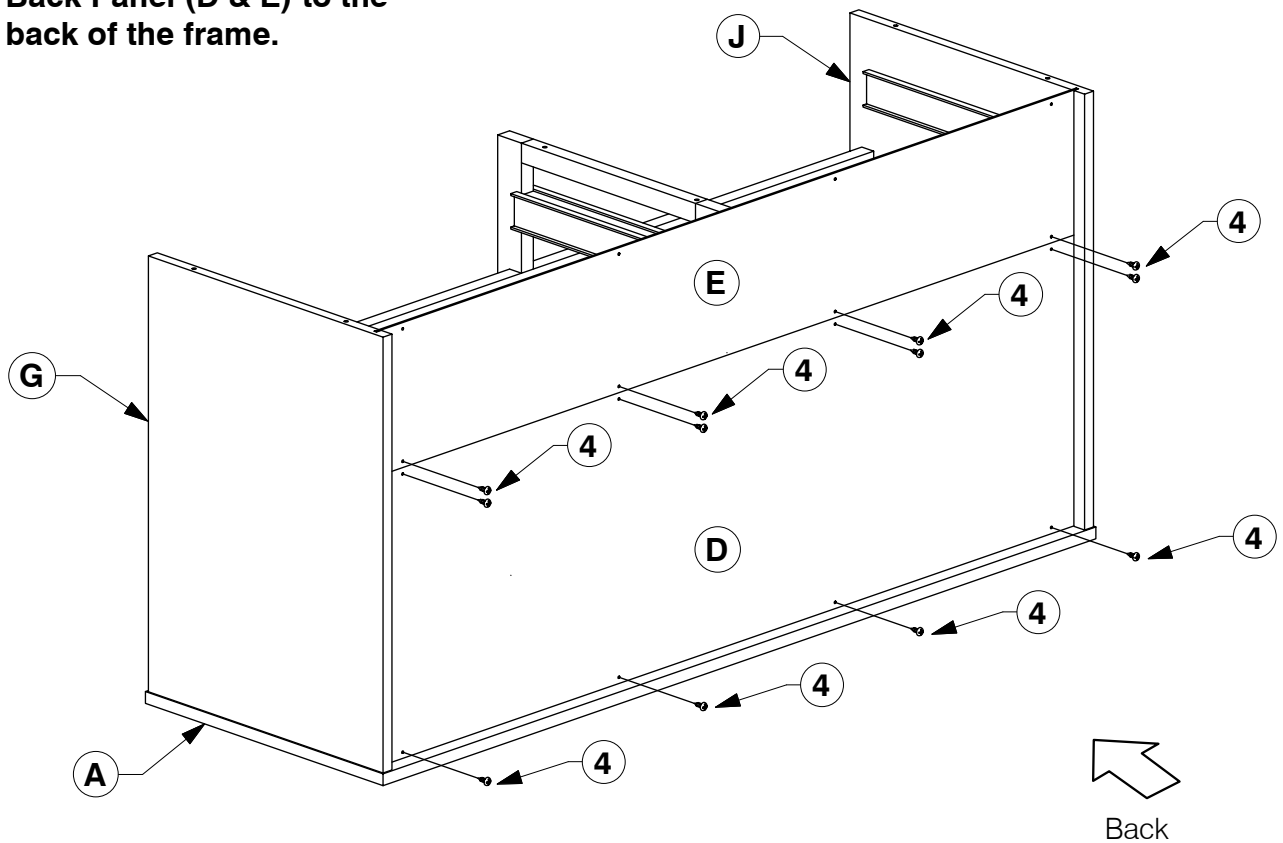
## Assembly Instructions

WI-1220

- 12** Slide the Back Panel-Narrow (E) into the groove on the back.



- 13** Use screws to tighten the Back Panel (D & E) to the back of the frame.

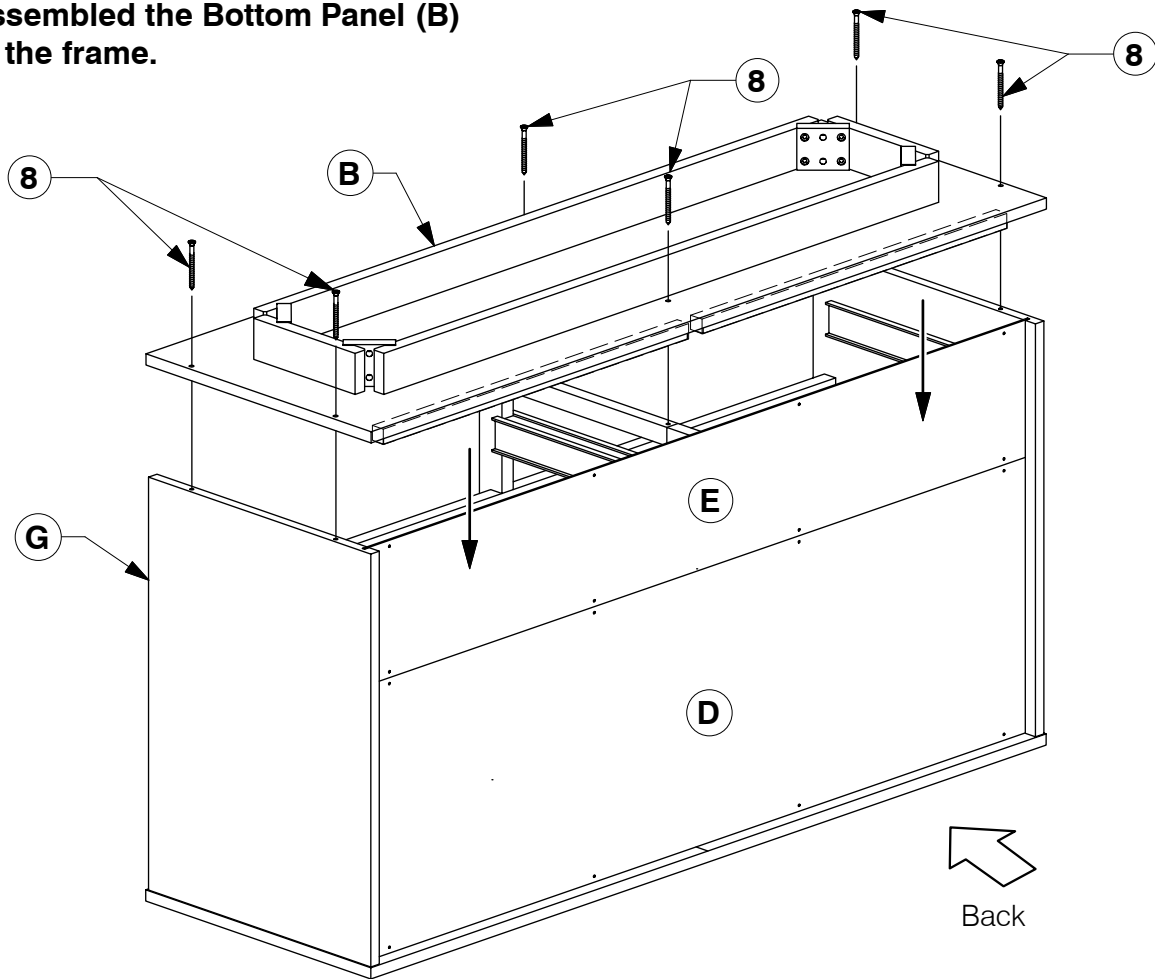


# 9001 6 Drawer Dresser

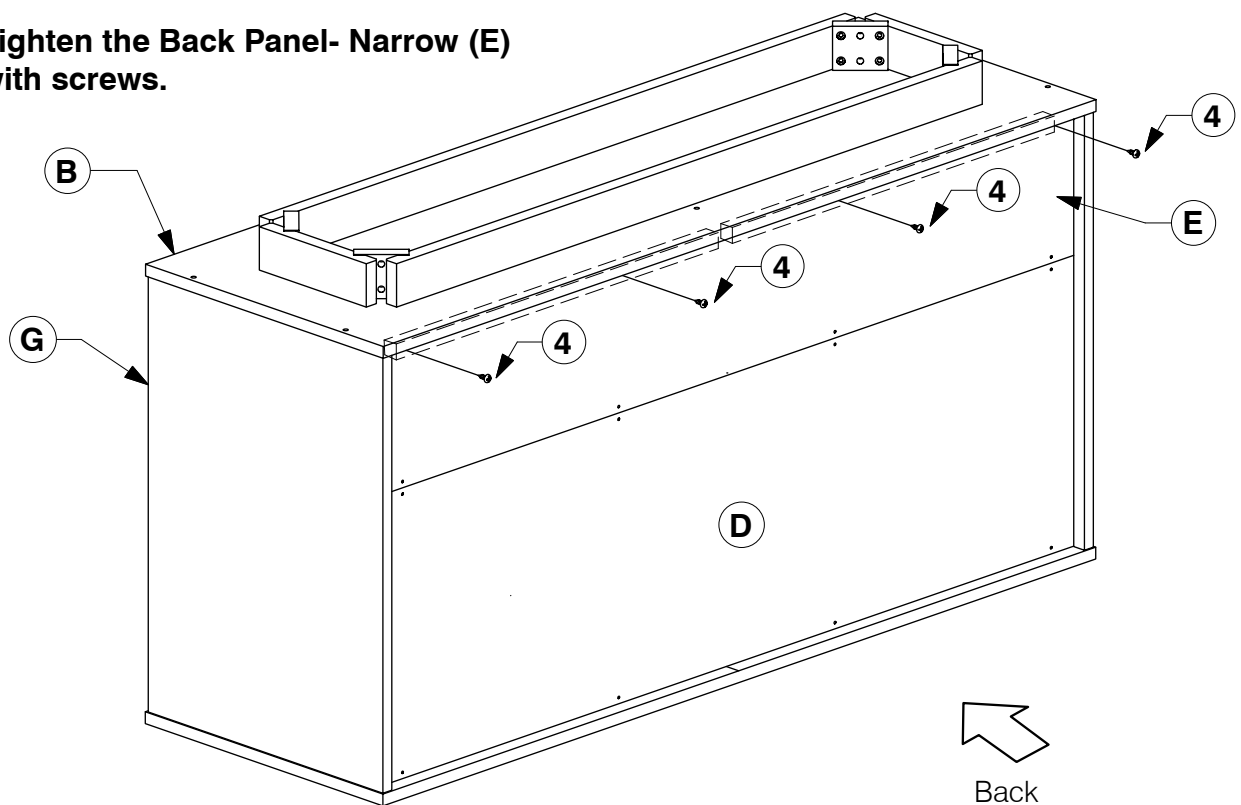
## Assembly Instructions

WI-1220

- 14** Assembled the Bottom Panel (B) to the frame.



- 15** Tighten the Back Panel- Narrow (E) with screws.

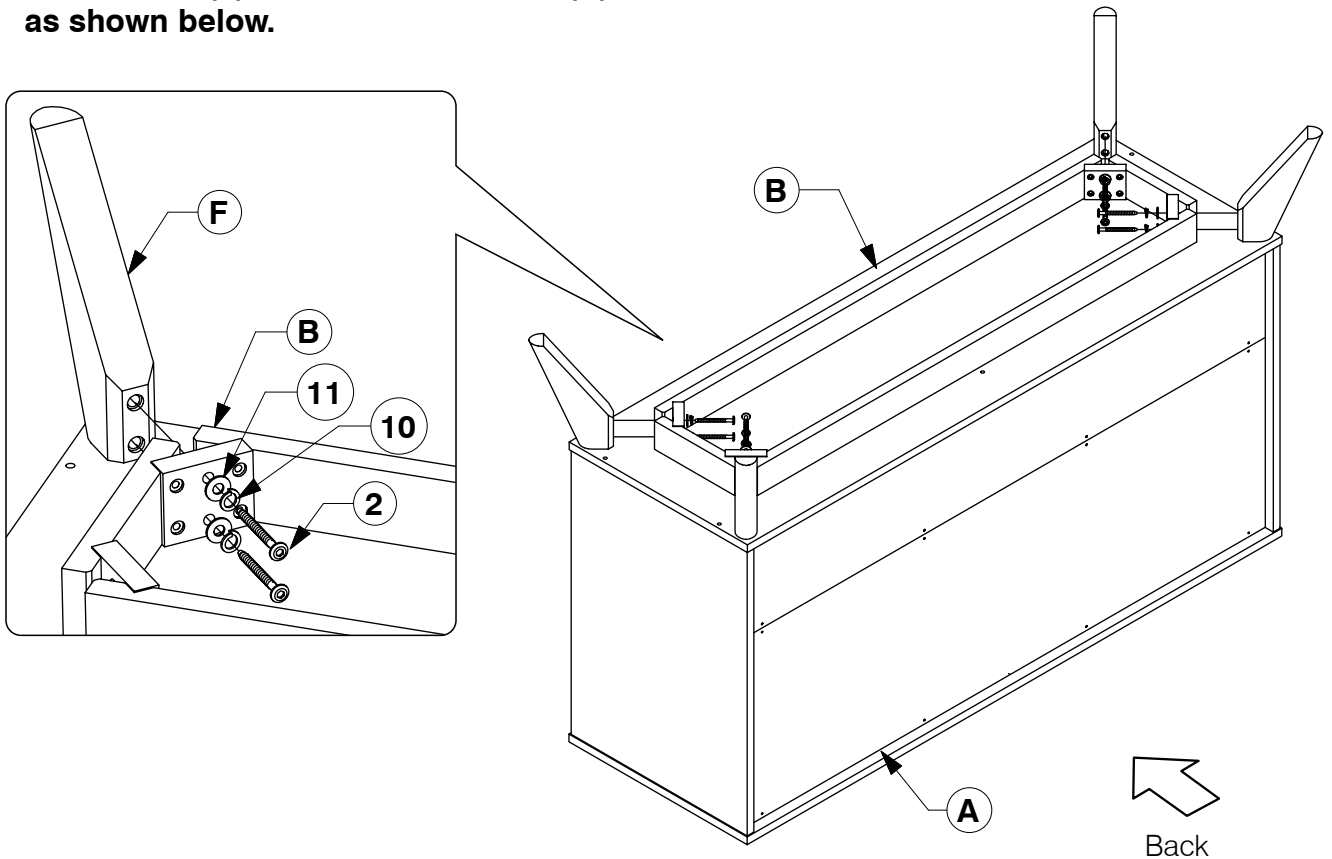


# 9001 6 Drawer Dresser

## Assembly Instructions

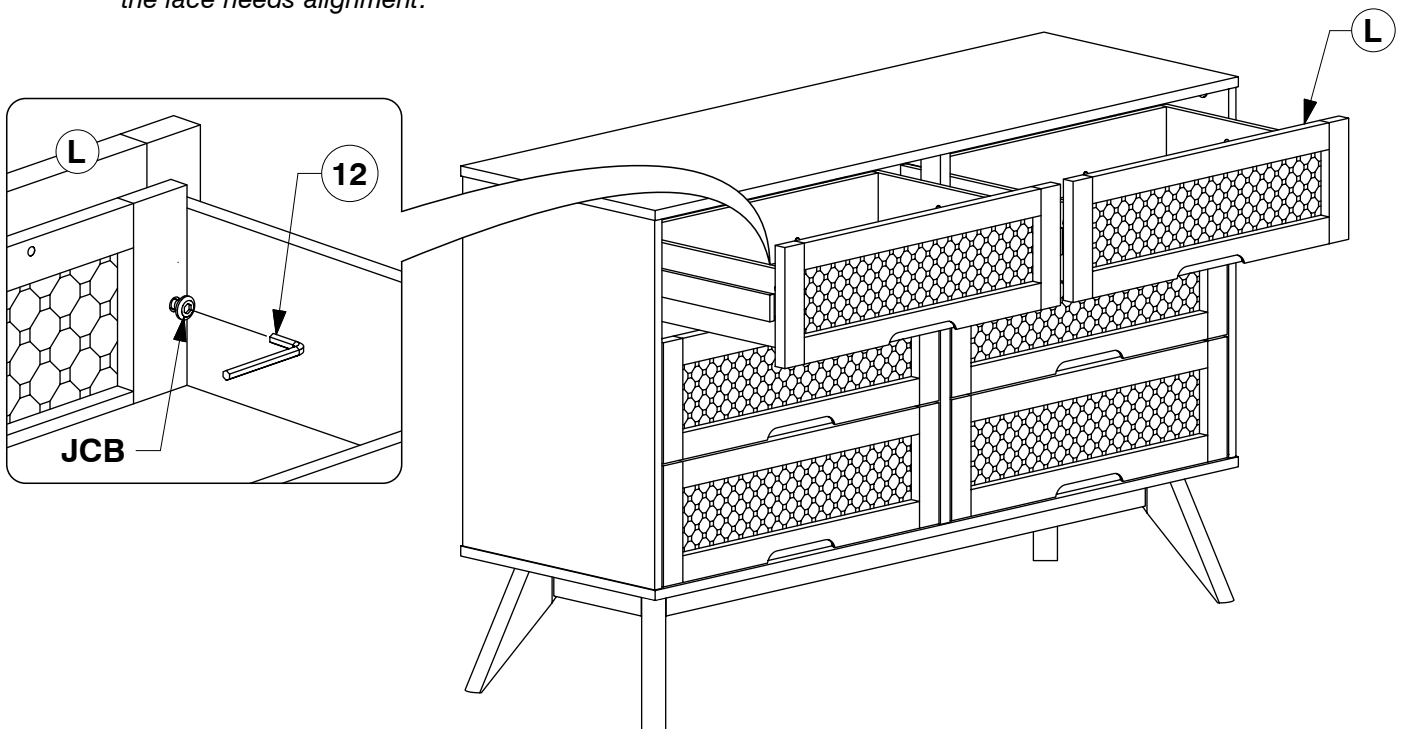
WI-1220

- 16** Fit the Post (F) to the Bottom Panel (B) as shown below.



- 17** Fit and adjust the Drawer Face (L).

\* NOTE: Before fitting the Wood Screws.  
Loosen the JCBs on the Drawer Face if the face needs alignment.



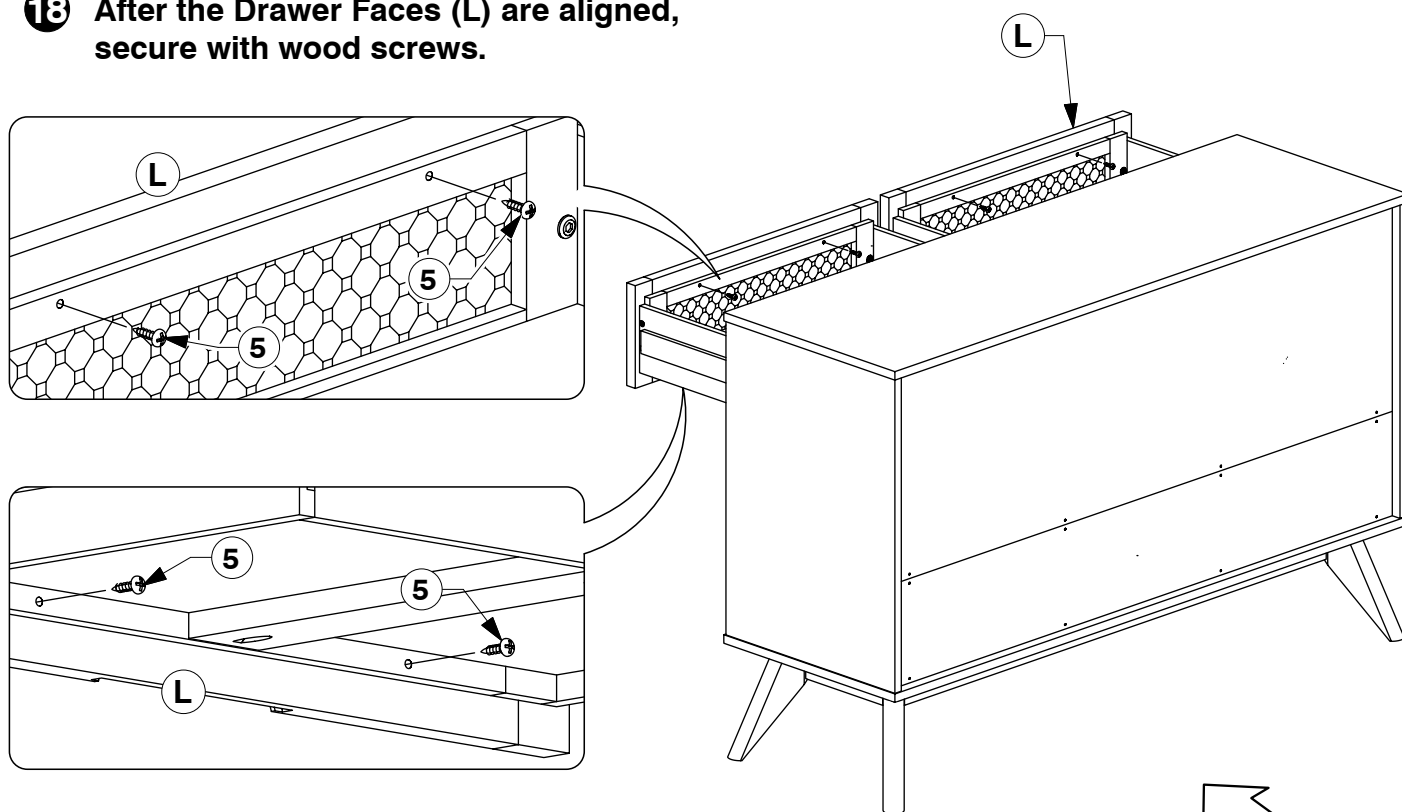


# 9001 6 Drawer Dresser

## Assembly Instructions

WI-1220

- 18** After the Drawer Faces (L) are aligned, secure with wood screws.



Back