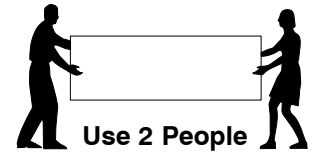
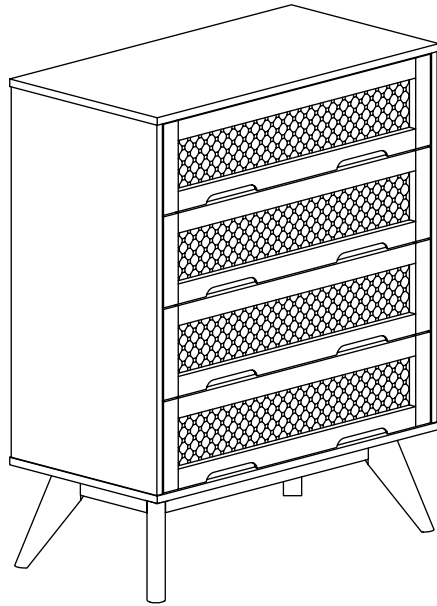


# 9001 4 Drawer Chest

## Assembly Instructions

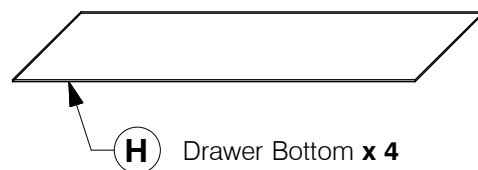
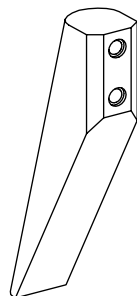
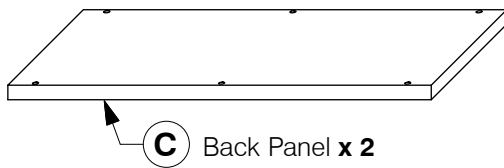
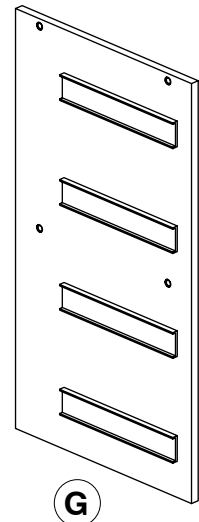
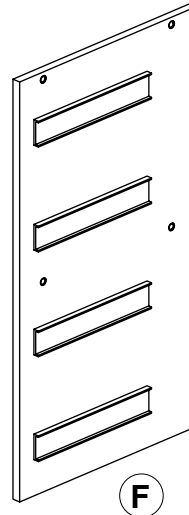
WI-1220



**Note:** Do not assemble using power tools. This can cause the bolts to be overtightened

### 1 Parts List

Parts in Box A:



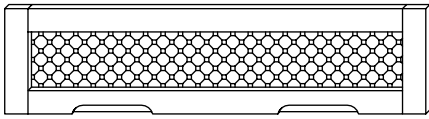
# 9001 4 Drawer Chest

## Assembly Instructions

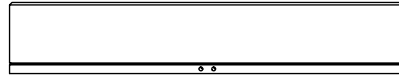
WI-1220

### 1 Parts List

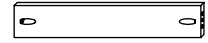
Parts in Box B:



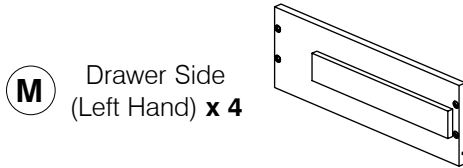
**J** Drawer Face x 4



**K** Drawer Back x 4



**L** Drawer Rail x 4



**M** Drawer Side (Left Hand) x 4



**N** Drawer Side (Right Hand) x 4

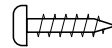
### 2 Hardware List



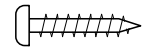
**1** M6 x 15mm JCB x 16



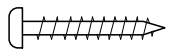
**2** M6 x 60mm JCB x 8



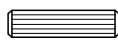
**3** M4 x 20mm Wood Screw x 16



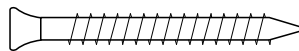
**4** M4 x 25mm Wood Screw x 40



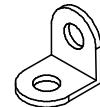
**5** M4 x 32mm Wood Screw x 12



**6** M6 x 25mm Wood Dowel x 16



**7** CSK Cap Wood Screw (M6 x 50mm) x 4



**8** 'L' Bracket (5005-3) x 8



**9** Spring Washer x 8



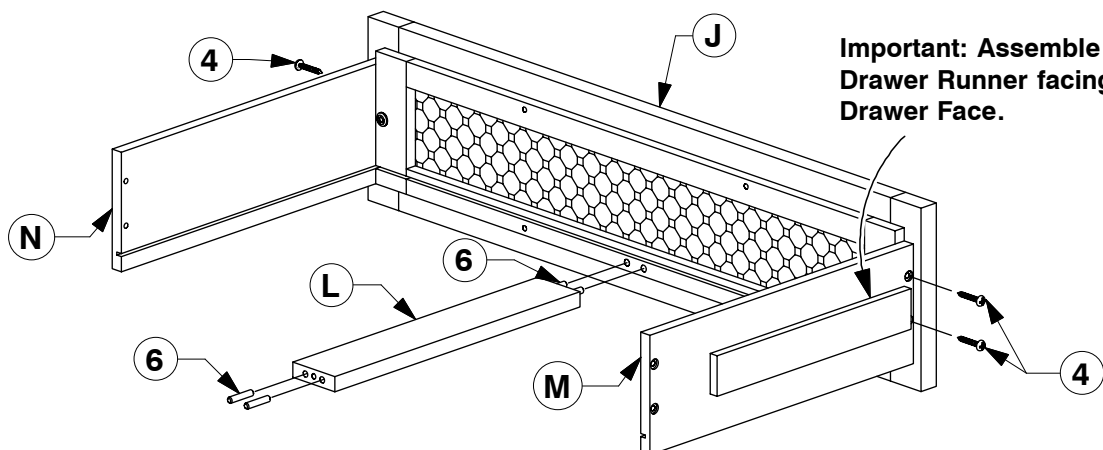
**10** Flat Washer x 8



**11** Allen Key x 1

### 3 Assemble the Drawer Sides (M & N) & Drawer Rail (L) to the Drawer Face (J).

x4



**Important: Assemble the Drawer Runner facing Drawer Face.**

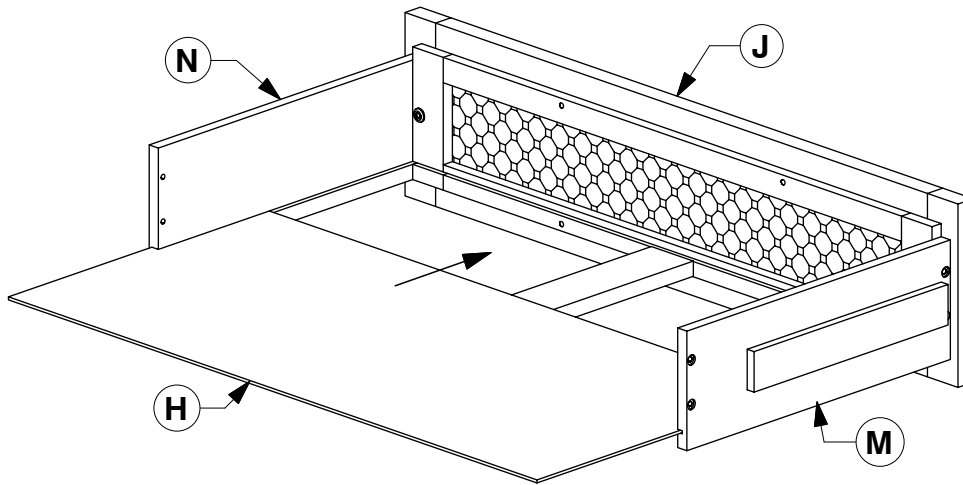
# 9001 4 Drawer Chest

## Assembly Instructions

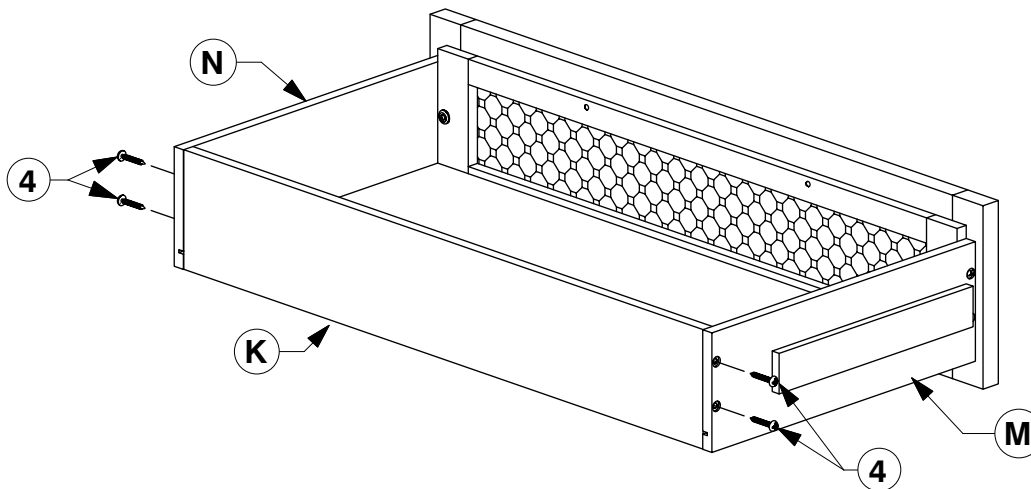
WI-1220

- 4** Slide the Drawer Bottom (H) into the groove on the Drawer Sides (M & N).

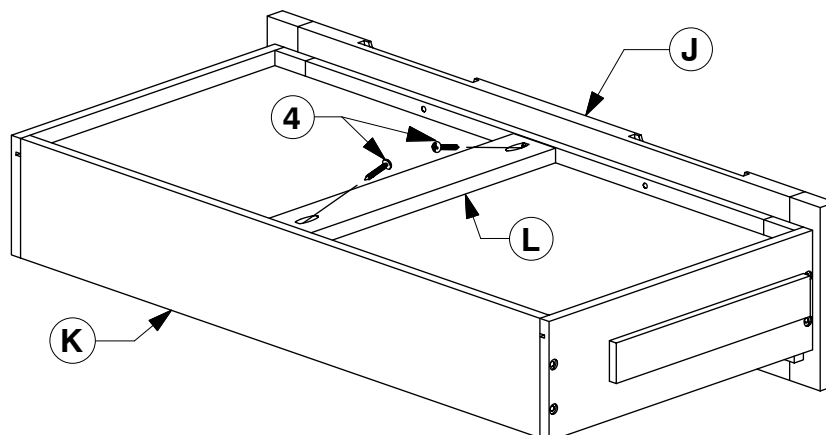
x4



- 5** Assemble the Drawer Back (K) to the Drawer Sides (M & N).



- 6** Turn the Drawer over to fit angled 25mm Wood screws (4) to the Drawer Rail (L).

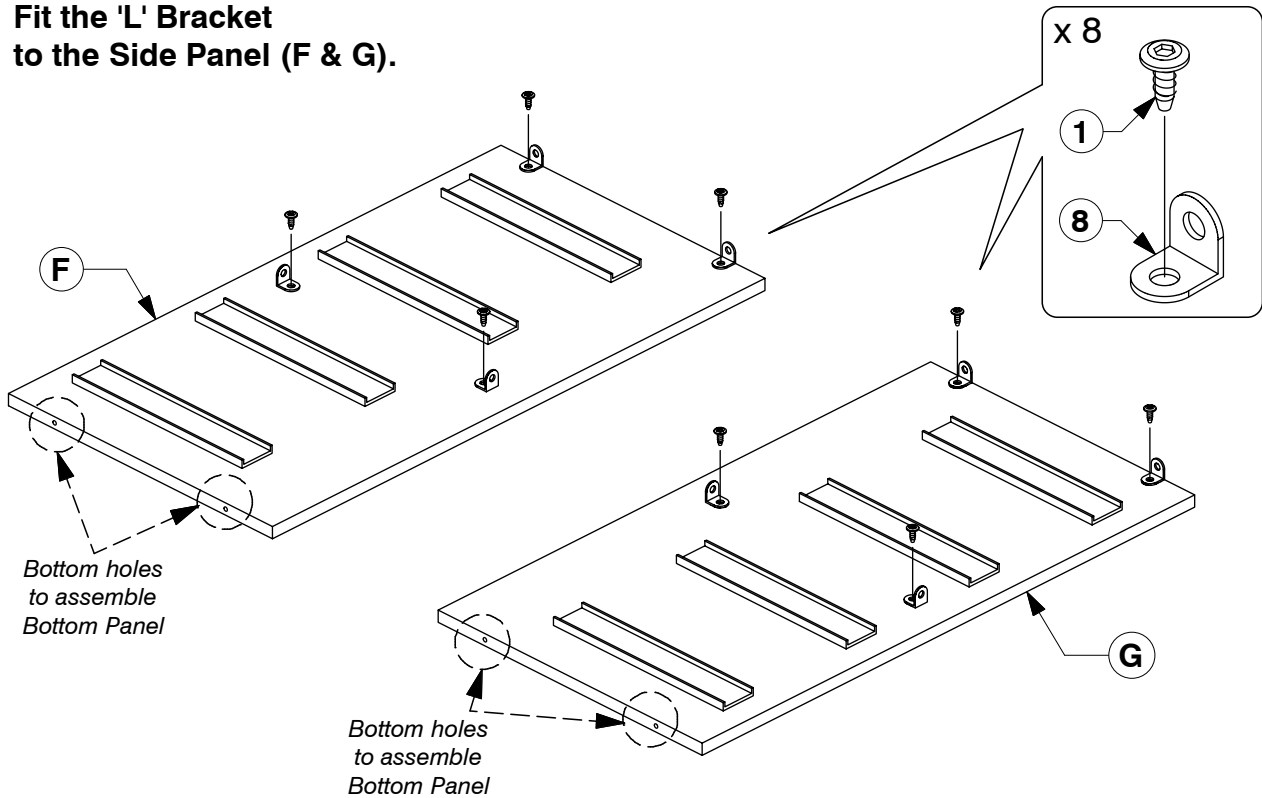


# 9001 4 Drawer Chest

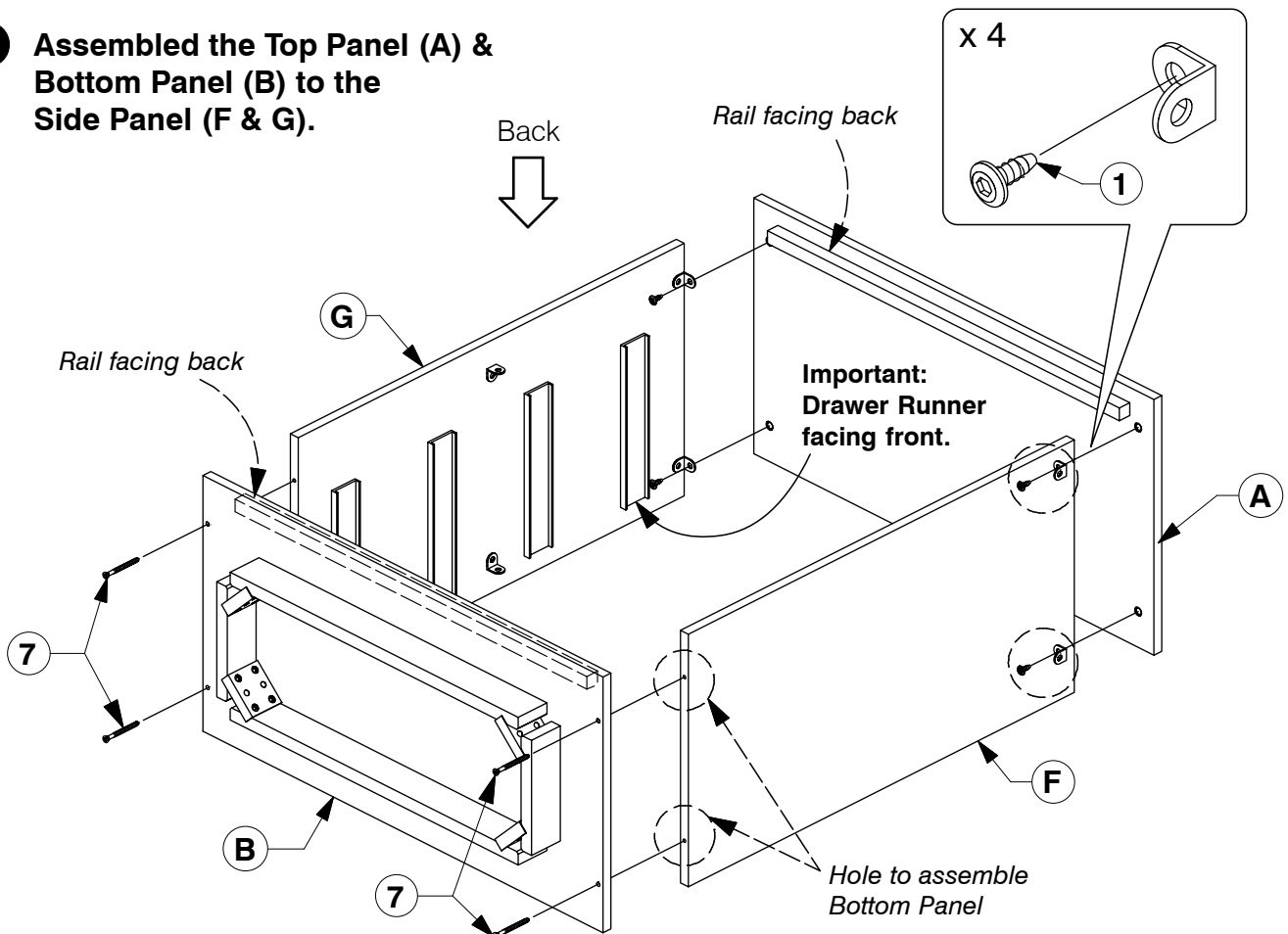
## Assembly Instructions

WI-1220

- 7** Fit the 'L' Bracket to the Side Panel (F & G).



- 8** Assemble the Top Panel (A) & Bottom Panel (B) to the Side Panel (F & G).

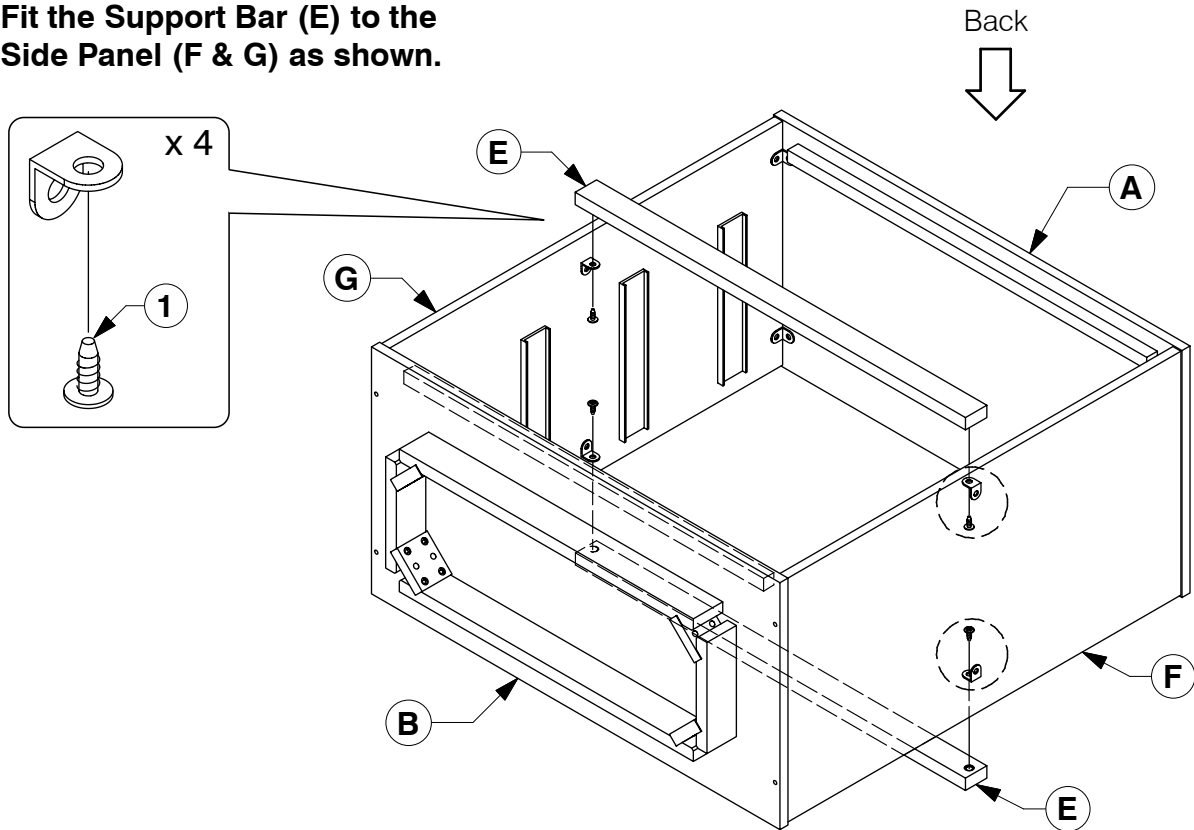


# 9001 4 Drawer Chest

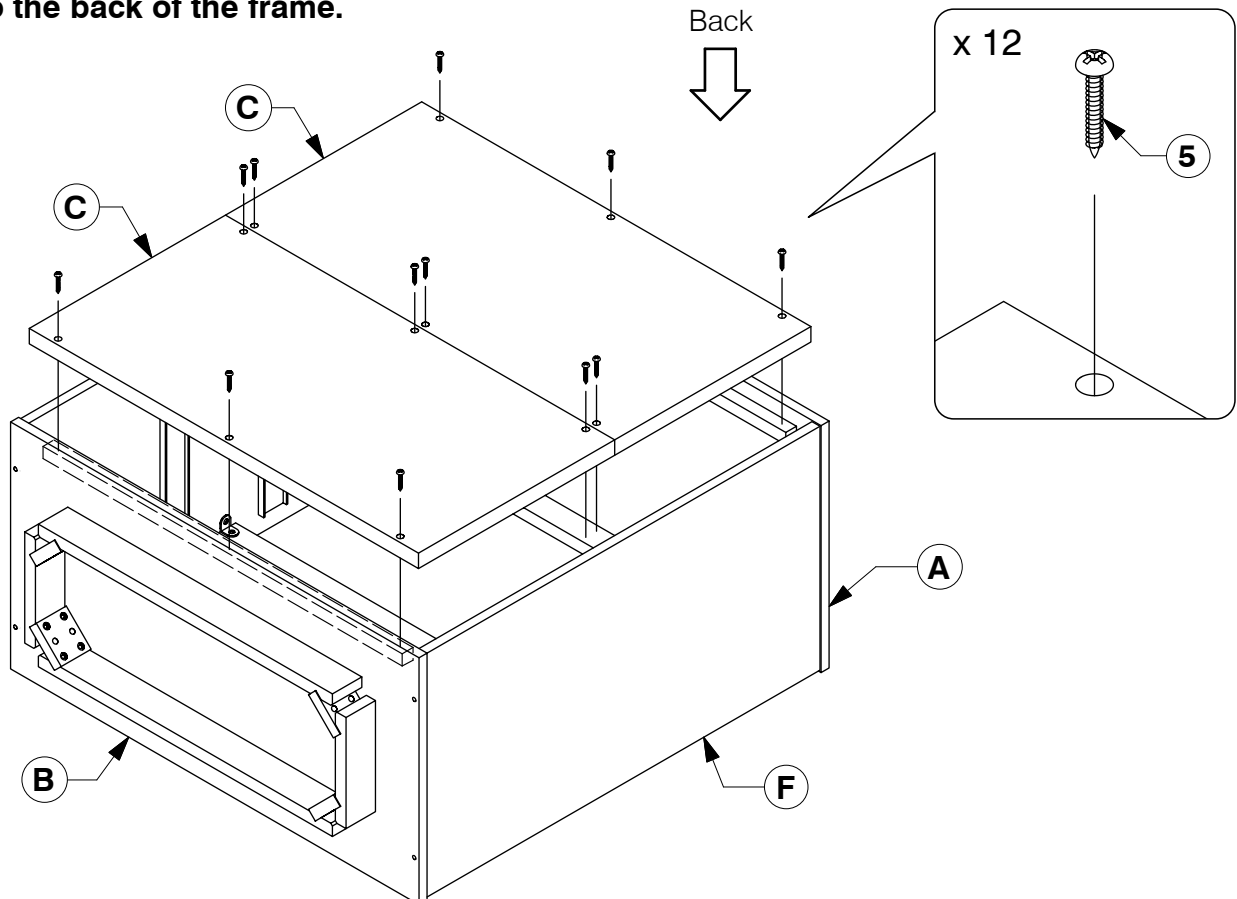
## Assembly Instructions

WI-1220

- 9** Fit the Support Bar (E) to the Side Panel (F & G) as shown.



- 10** Attached the Back Panel (C) to the back of the frame.

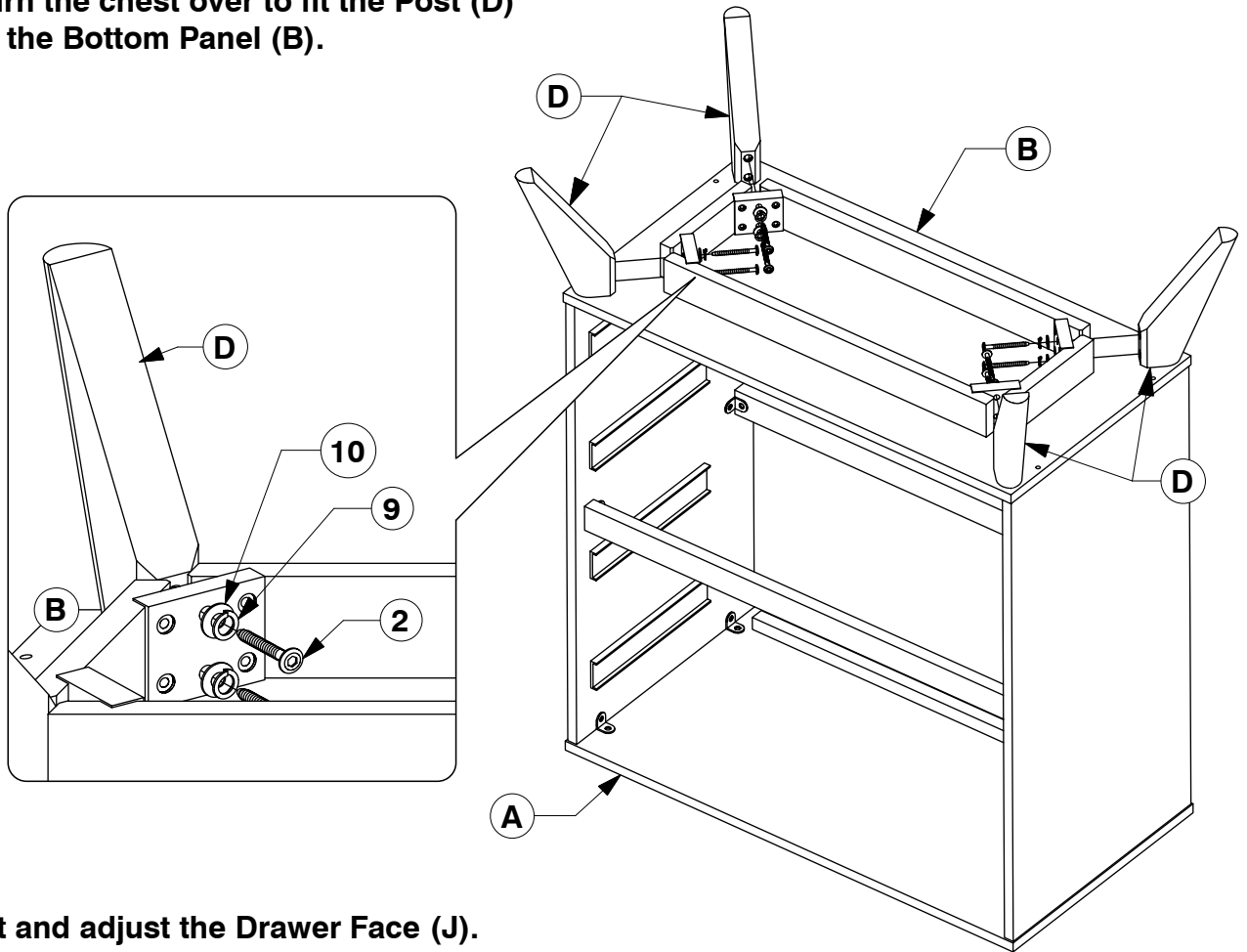


# 9001 4 Drawer Chest

## Assembly Instructions

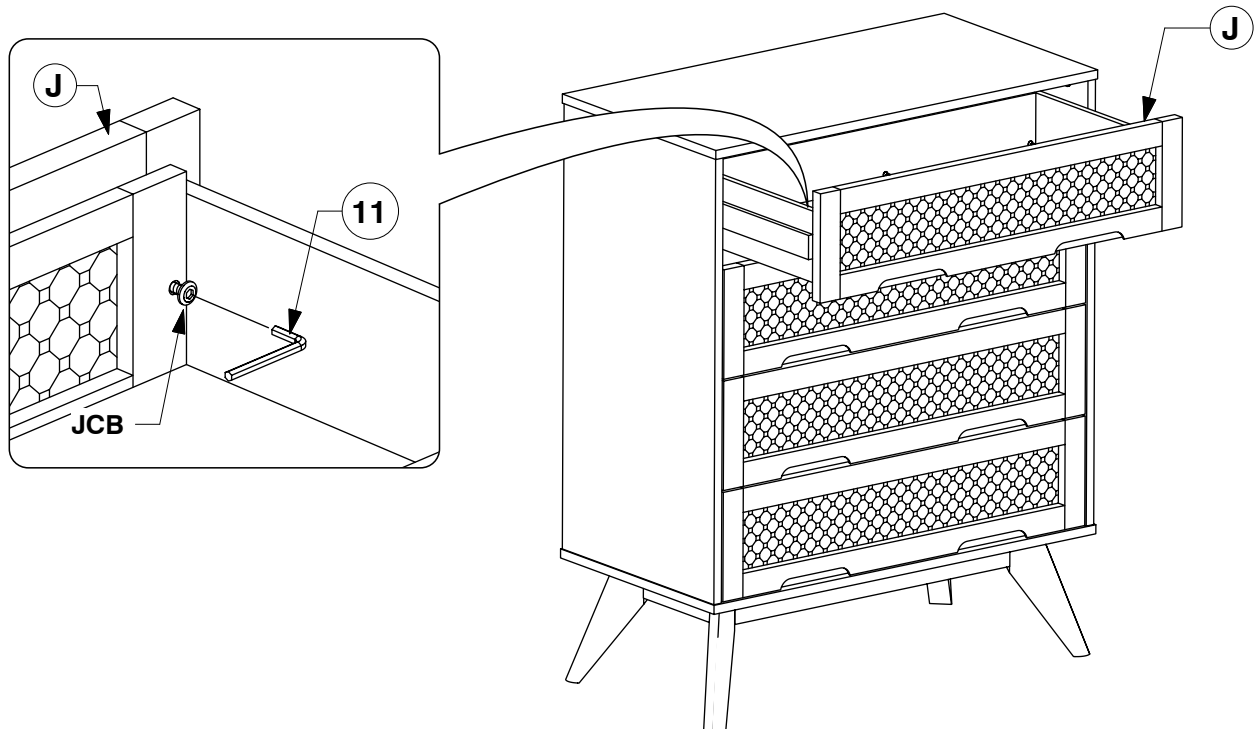
WI-1220

- 11** Turn the chest over to fit the Post (D) to the Bottom Panel (B).



- 12** Fit and adjust the Drawer Face (J).

\* NOTE: Before fitting the Wood Screws.  
Loosen the JCBs on the Drawer Face if the face needs alignment.



# 9001 4 Drawer Chest

## Assembly Instructions

WI-1220

- 13** After the Drawer Faces (J) are aligned, secure with wood screws.

