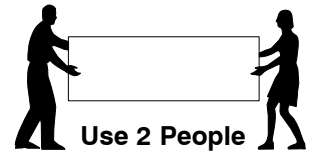
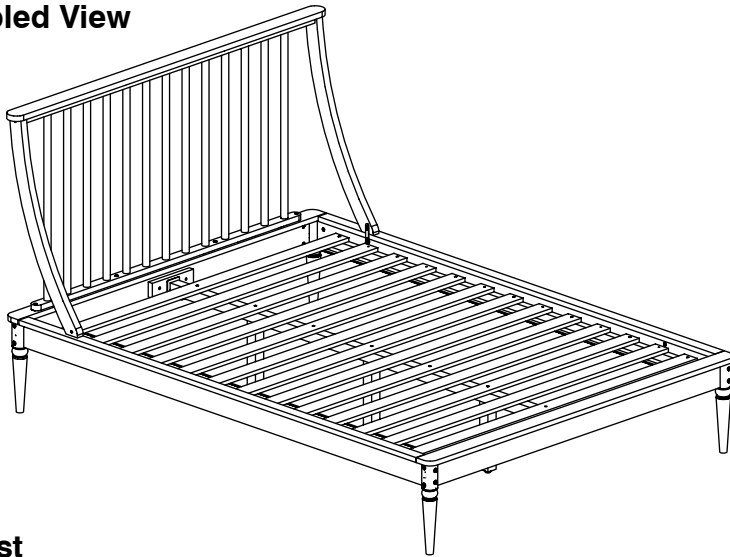


0064 Full Bed

Assembly Instructions

WI-1220

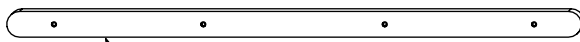
1 Assembled View



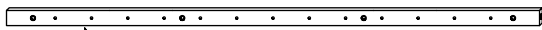
Note: Do not assemble using power tools. This can cause the bolts to be overtightened

2 Parts List

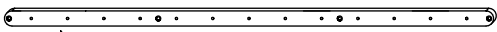
Parts in Box A:



A Headboard Top x 1



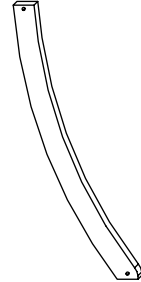
B Headboard Top Rail x 1



C Headboard Bottom Rail x 1

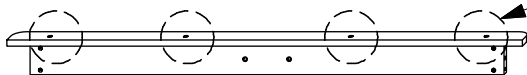


D
Headboard Spinder x 13



E
Headboard Side Bar x 2

Parts in Box B:



F Headboard Panel x 1

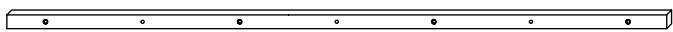
Extra Holes



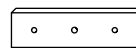
G Footboard Panel x 1



H Side Rail x 2



J Long Support x 1



K Head / Footboard Support x 2



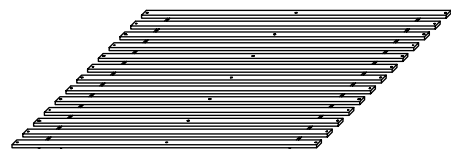
L
Post (Left Hand) x 2



M
Post (Right Hand) x 2



N
Support Leg x 3




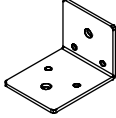
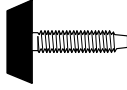
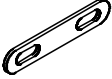


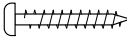

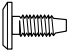



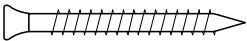


O Set of Bed Slats x 1

0064 Full Bed

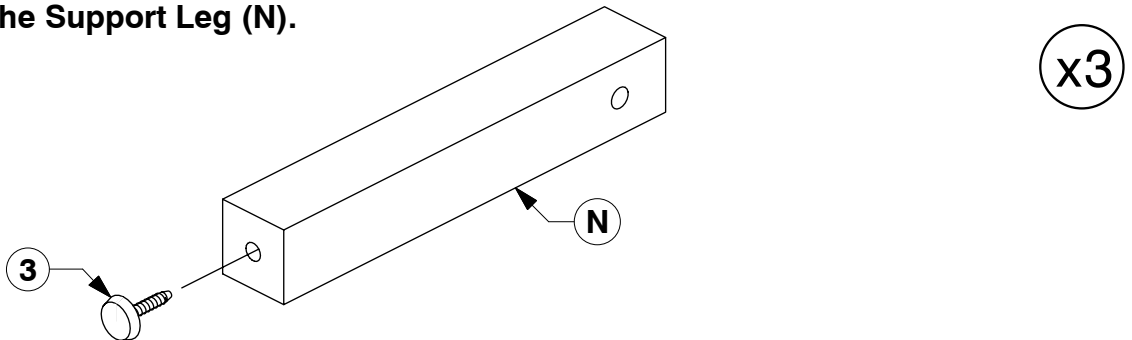
Assembly Instructions

WI-1220

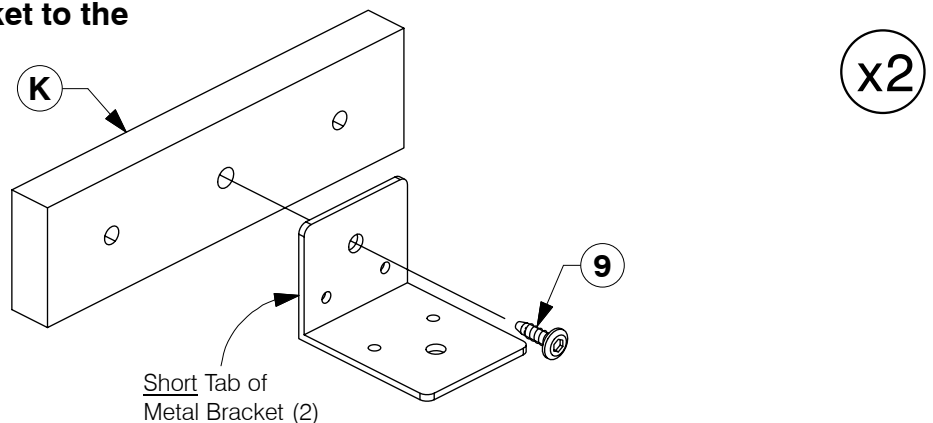
3 Hardware List

- | | | | |
|---|--|---|---|
| 
1 M4 Allen Key
x 1 | 
2 Center Rail
Bracket x 2 | 
3 Adjustable
Foot x 3 | 
4 Bracket (2003)
x 2 |
| 
5 Wood Dowel
(M10 x 40mm) x 8 | 
6 Barrel
Nut x 19 | 
7 Wood Screw
(M4 x 32mm) x 12 | 
8 M6 JCN Nut
x 2 |
| 
9 M6 x
15mm JCB
x 6 | 
10 M6 x
25mm JCB
x 2 | 
11 M6 x
30mm JCB
x 12 | 
12 M6 x
40mm JCB
x 20 |
| 
13 CSK Cap Wood Screw
(M6 x 50mm)
x 26 | 
14 M6 x 90mm JCB
x 16 | 
15 M6 x 100mm JCB
x 3 | |

4 Fix the Adjustable foot to the bottom of the Support Leg (N).



5 Fit the Center Rail Bracket to the Head / Footboard Support (K).

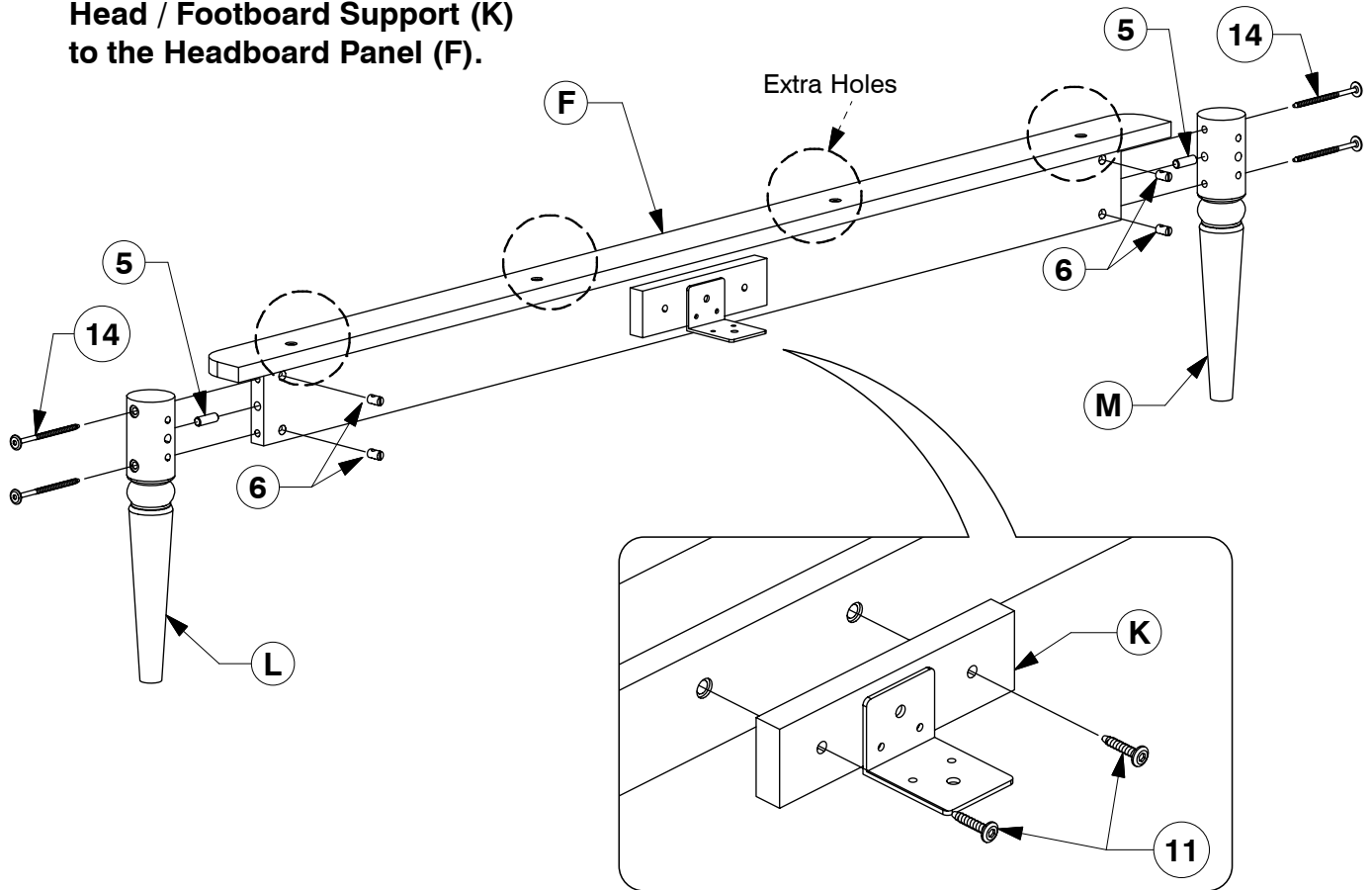


0064 Full Bed

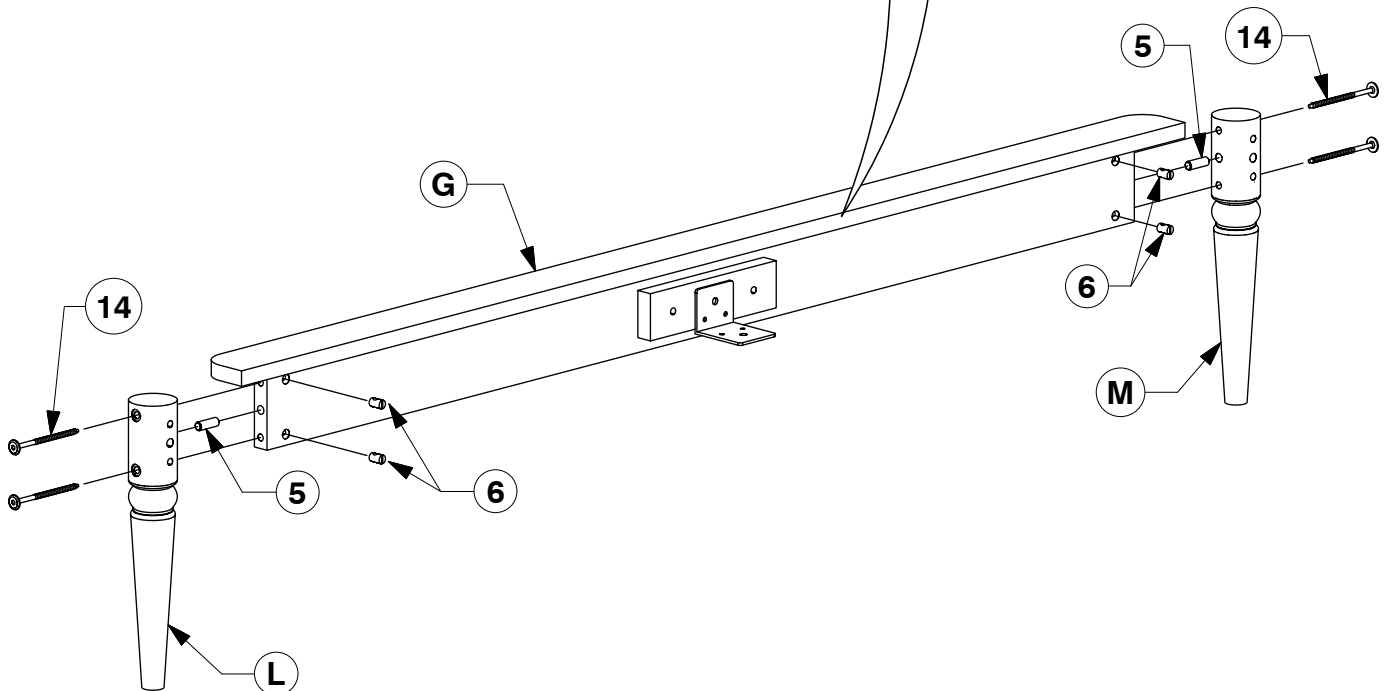
Assembly Instructions

WI-1220

- 6** Assemble the Post (L & M) and Head / Footboard Support (K) to the Headboard Panel (F).



- 7** Assemble the Post (L & M) and Head / Footboard Support (K) to the Footboard Panel (G).

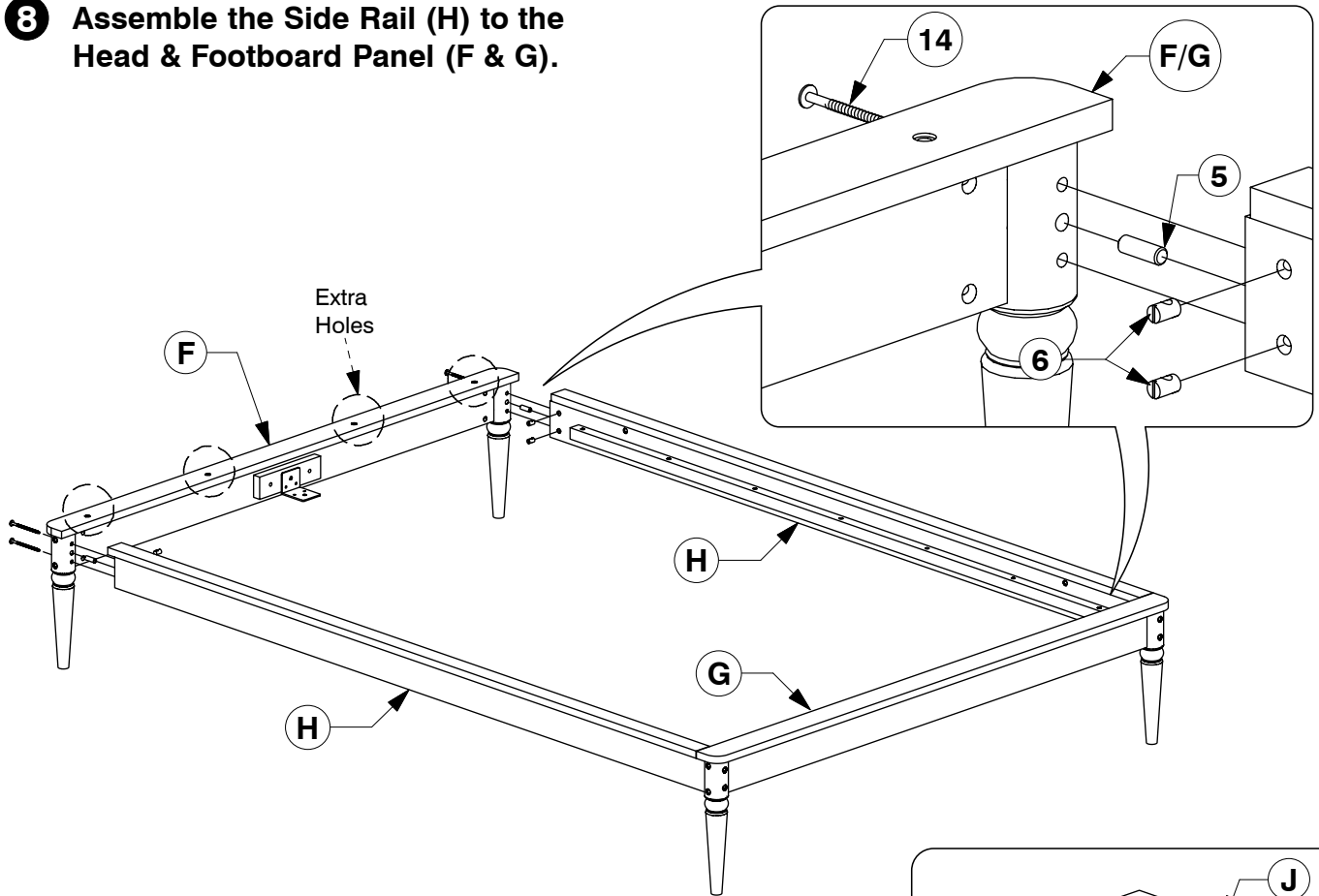


0064 Full Bed

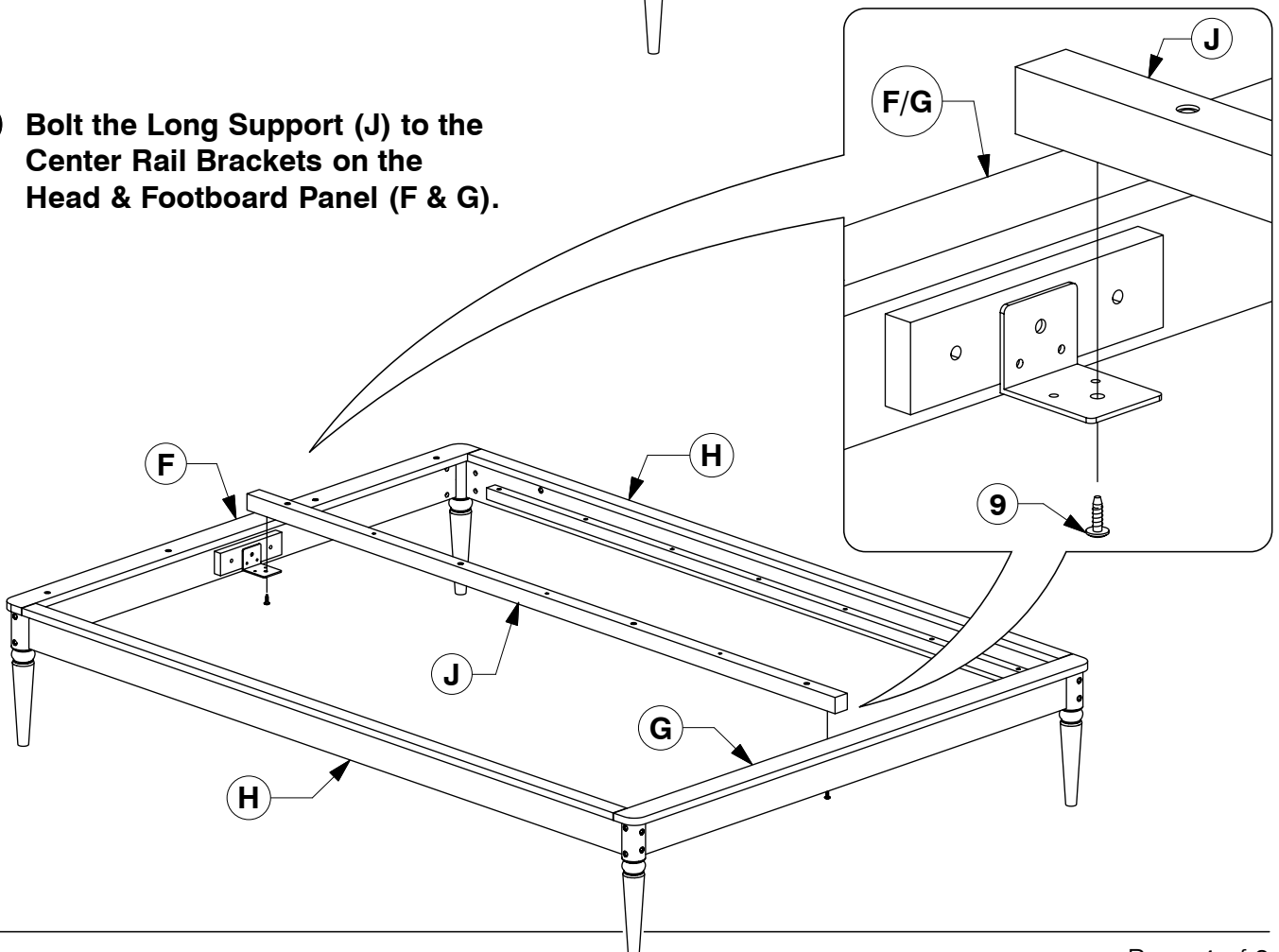
Assembly Instructions

WI-1220

- 8** Assemble the Side Rail (H) to the Head & Footboard Panel (F & G).



- 9** Bolt the Long Support (J) to the Center Rail Brackets on the Head & Footboard Panel (F & G).

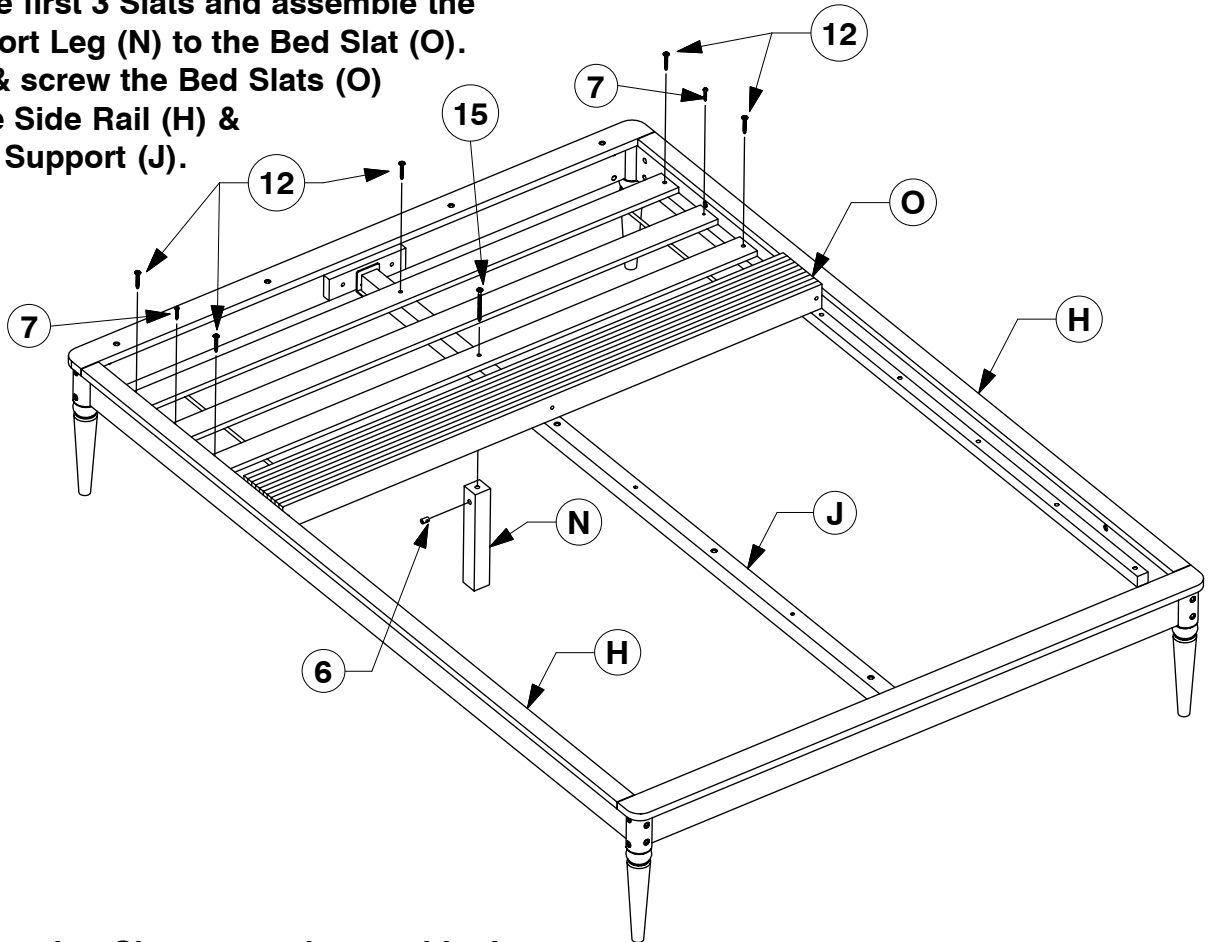


0064 Full Bed

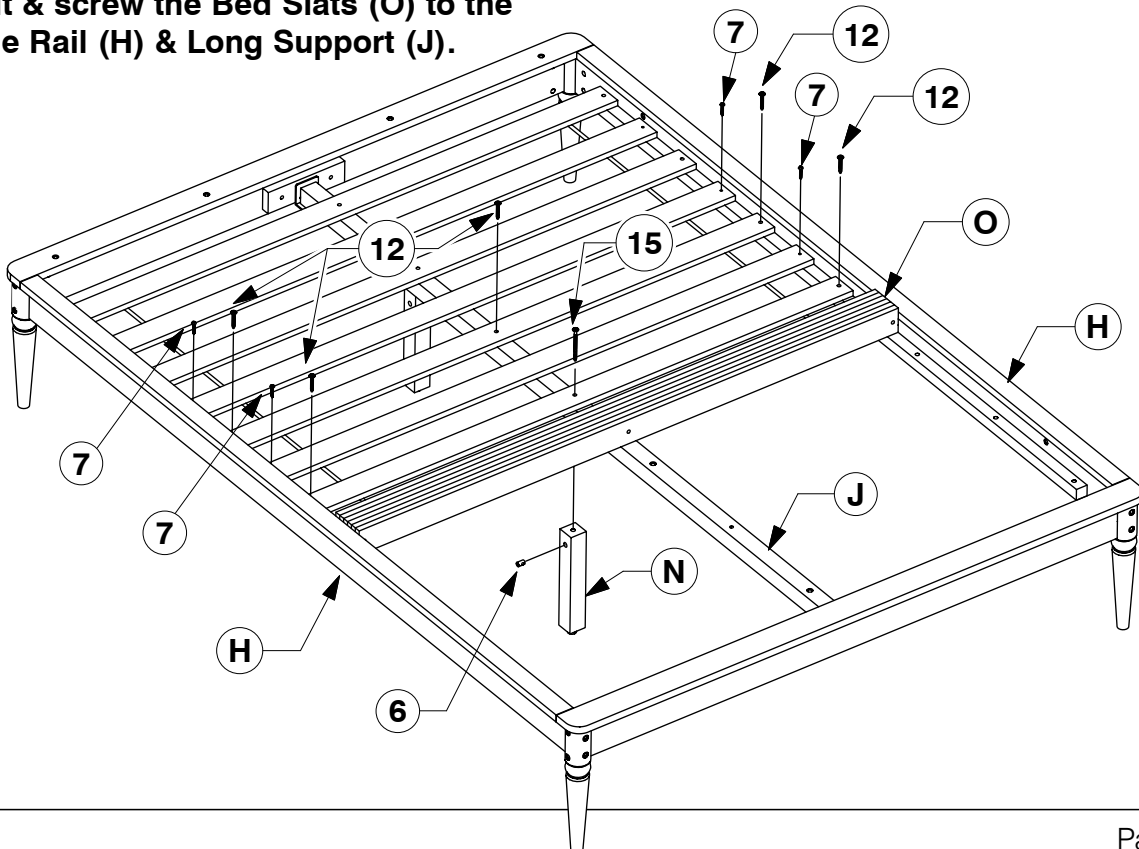
Assembly Instructions

WI-1220

- 10** Fit the first 3 Slats and assemble the Support Leg (N) to the Bed Slat (O). Bolt & screw the Bed Slats (O) to the Side Rail (H) & Long Support (J).



- 11** Fit the other Slats out and assemble the Support Leg (N) to the Bed Slat (O). Bolt & screw the Bed Slats (O) to the Side Rail (H) & Long Support (J).

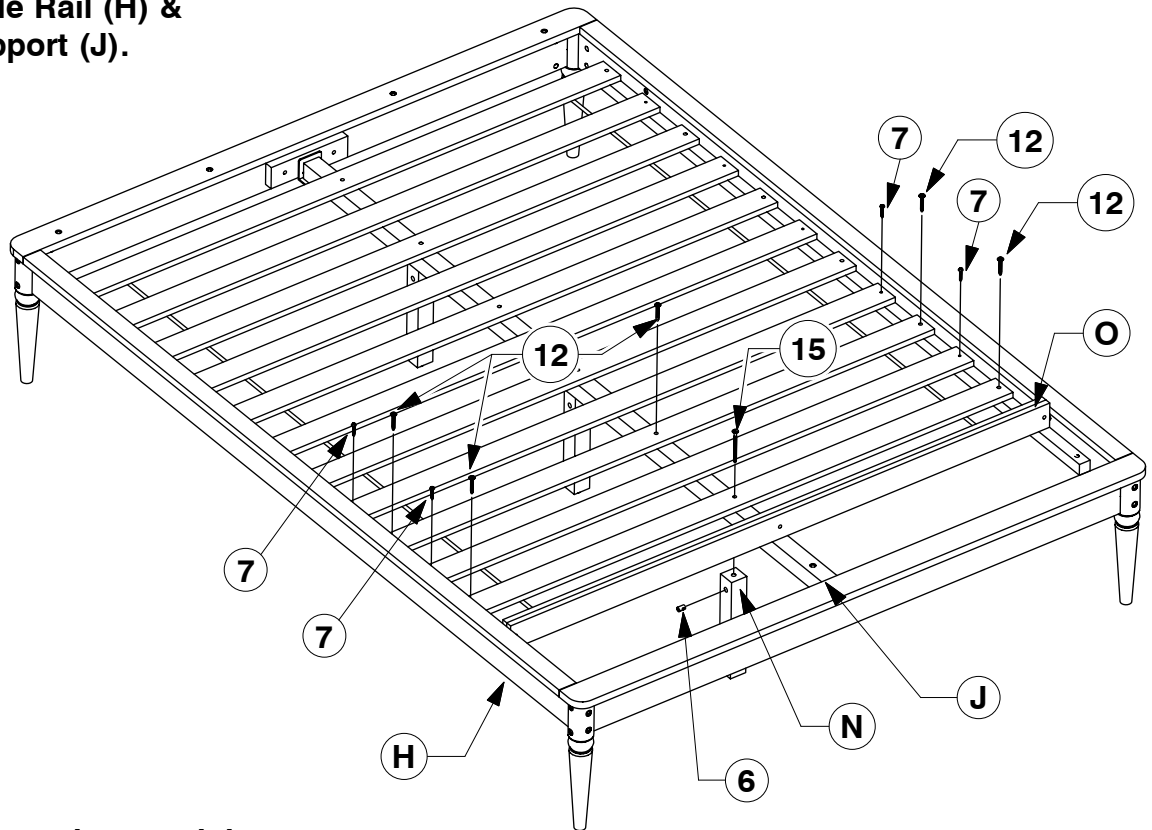


0064 Full Bed

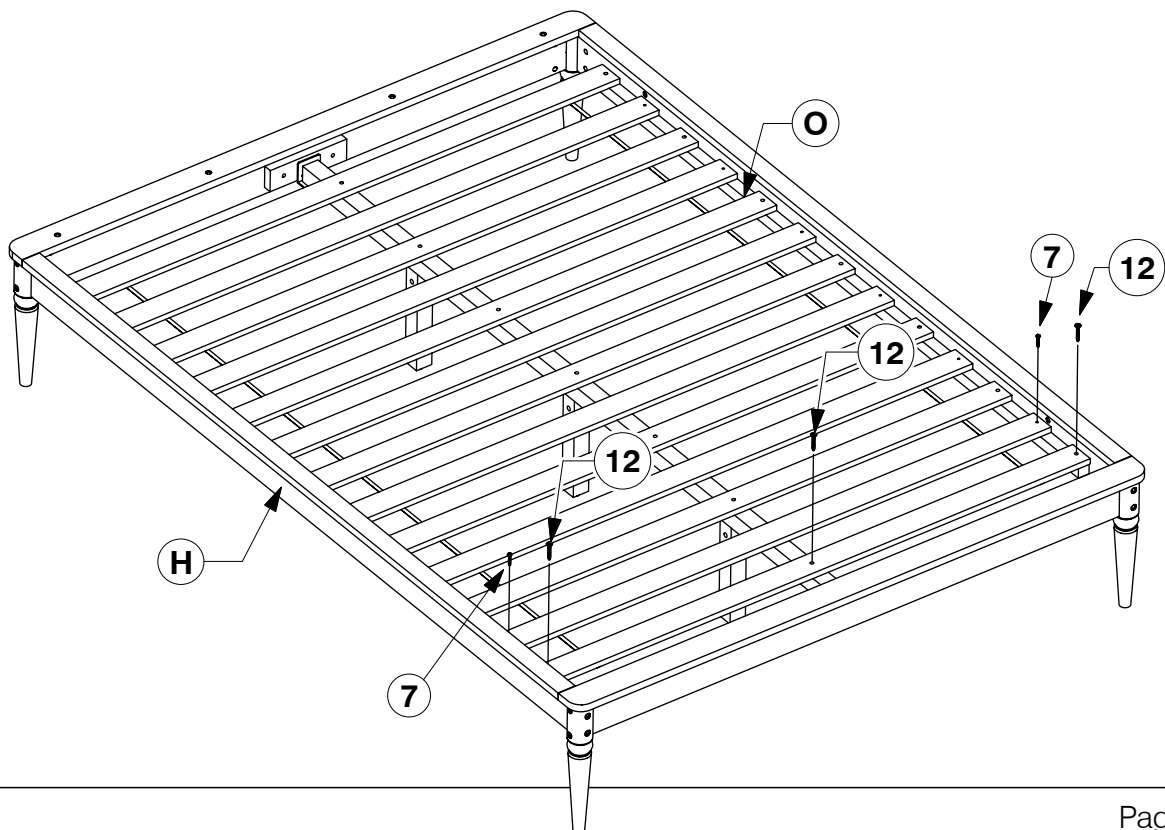
Assembly Instructions

WI-1220

- 12** Fit the other Slats out and assemble the Support Leg (N) to the Bed Slat (O). Bolt & screw the Bed Slats (O) to the Side Rail (H) & Long Support (J).



- 13** Bolt & screw the remaining Bed Slats (O) to the Side Rail (H).

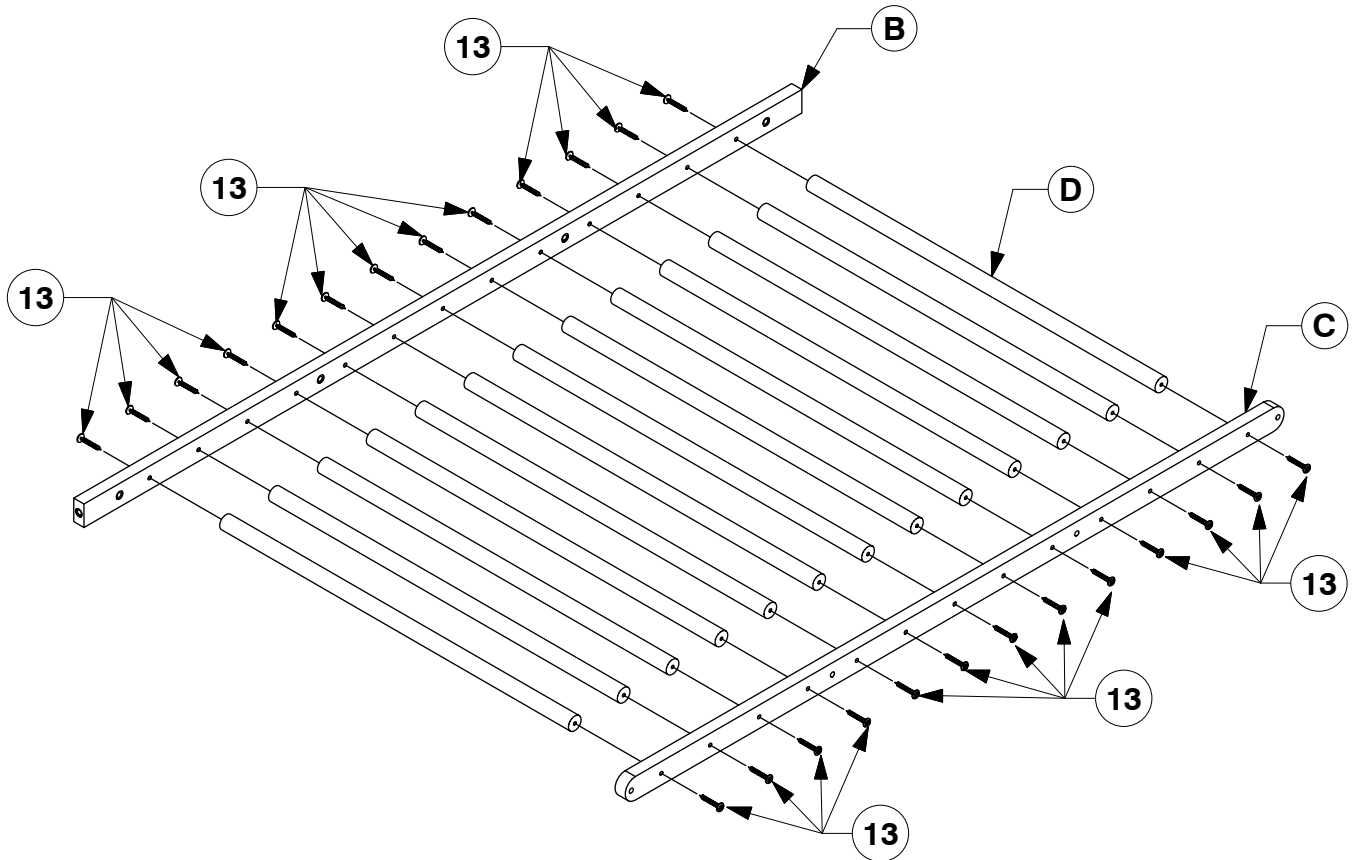


0064 Full Bed

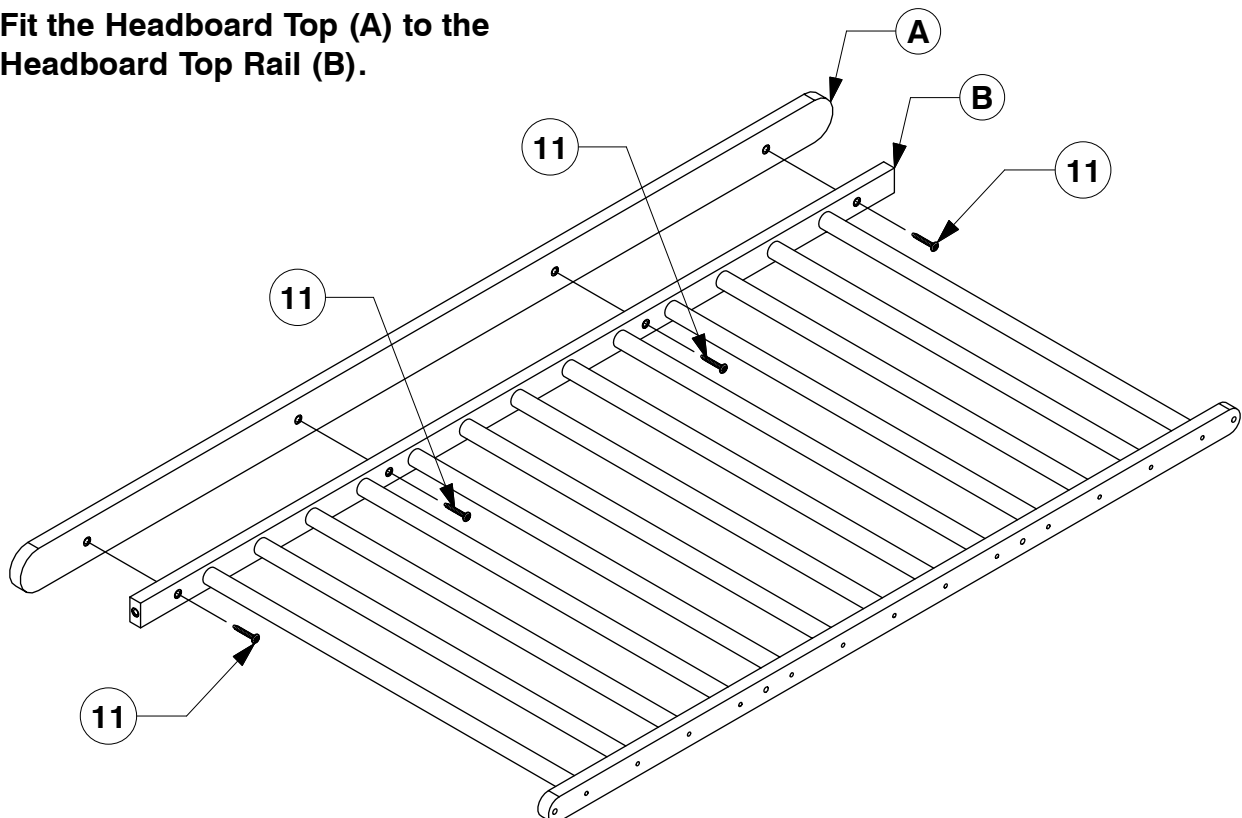
Assembly Instructions

WI-1220

- 14** Fit the Headboard Spinder (D) to the Headboard Top Rail (B) & Headboard Bottom Rail (C).



- 15** Fit the Headboard Top (A) to the Headboard Top Rail (B).

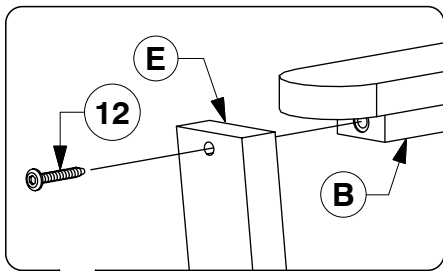
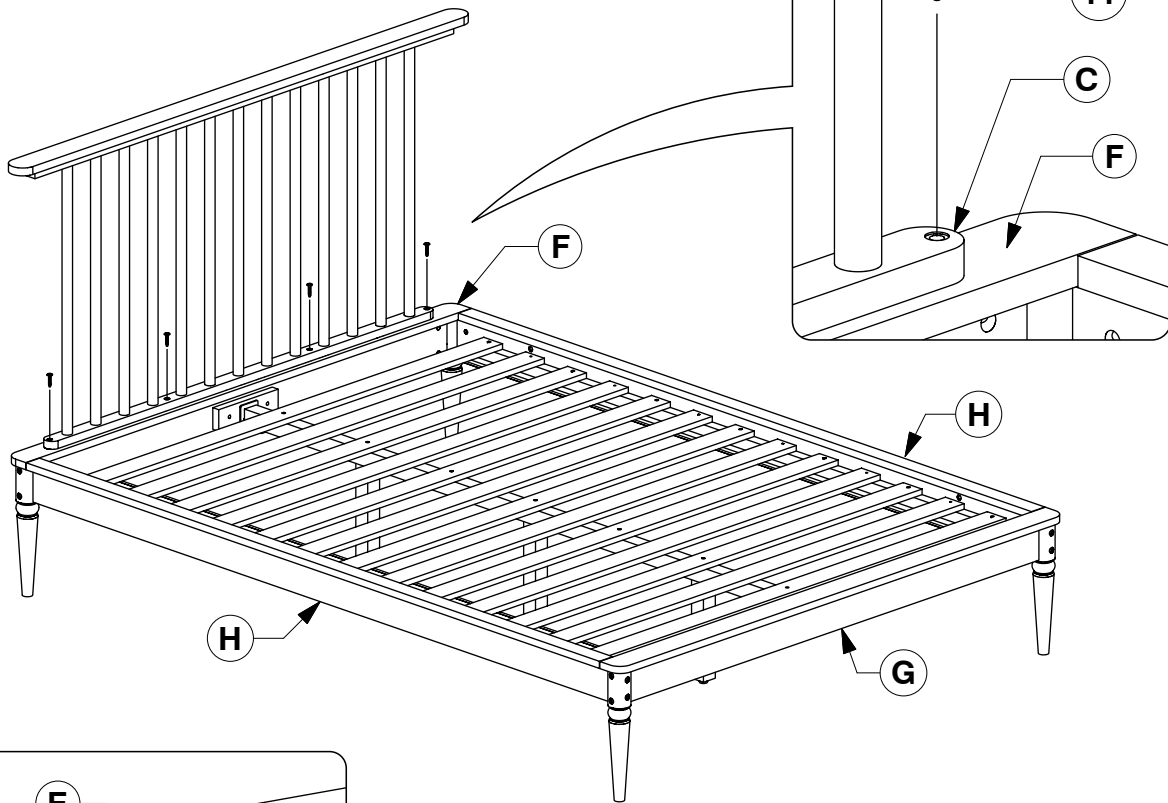


0064 Full Bed

Assembly Instructions

WI-1220

16 Assemble the Headboard to the Headboard Panel (F).



17 Fit the Headboard Side Bar (E) to the Headboard Top Rail (B) & Side Rail (H).

